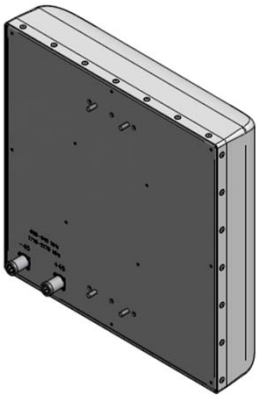
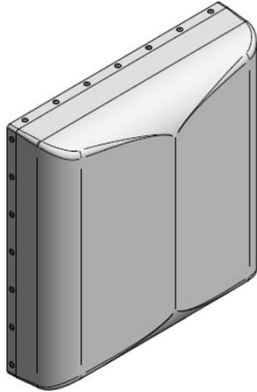




XEW-FRO-230

X-Pol Antenna, 698-945/1710-2360MHz, 24", 30° E/H Beams



- Dual Band 30° x 30°
- Stadium/ODAS
- Includes flexible stadium bracket
- Broadband radiators
- Suitable for WCS/LTE/CDMA/UMTS/GSM

Includes Integrated Diplexers
 Reduces RF cables
 Eliminates external devices

Electrical Specifications

Frequency Band, MHz	698-824	824-945	1710-1880	1800-1990	1920-2170	2190-2360
Horizontal Beamwidth, 3dB points	39°	32°	31°	27°	27°	26°
Gain, dBi	12.7	13.6	13.3	13.6	14	14.4
Vertical Beamwidth, 3dB points	39°	33°	31°	28°	28°	26°
Front-to-Back at 180°, dB	30		30			
Polarization	+/- 45°		+/- 45°			
Electrical Downtilt	0°		0°			
VSWR/Return Loss, dB, Maximum	1.7:1/11.8		1.7:1/11.8			
Isolation Between Ports, dB, Mimimum	26		26			
Intermodulation (2x20w), IM3, dBc, Maximum	-150		-150			
Impedance, ohms	50		50			
Max Power Per Connector, CW	100 @ 800MHz		100 @ 1900MHz			
Max Power Per Connector w/ High Power Opt, CW	250 @ 800MHz		125 @ 1900MHz			



XEW-FRO-230

X-Pol Antenna, 698-945/1710-2360MHz, 24", 30° E/H Beams

Mechanical Specifications

Dimensions, Length/Width/Depth	24.0/24.0/7.0 in (610/610/178 mm)
Connector (Quantity) Type	(2) 7-16 DIN Female
Connector Torque	220-265 lbf-in (23-30 N-m)
Connector Location	Back
Antenna Weight (IP Option)	15.5 lb (7.0 kg)
Bracket Weight	12.6 lb (5.7 kg)
Standard Bracket Kit	CSS P/N 919017
Mechanical Downtilt Range	0° - 22°
Radome Material	High Strength Luran, UV Stabilized, ASTM D1925
Wind Survival	150 mph (241 km/h)
Front Wind Load	96.5 lbf (429 N) @100mph
Equivalent Flat Plate	1.92 sq-ft (c=2) @ 100mph

Order Information

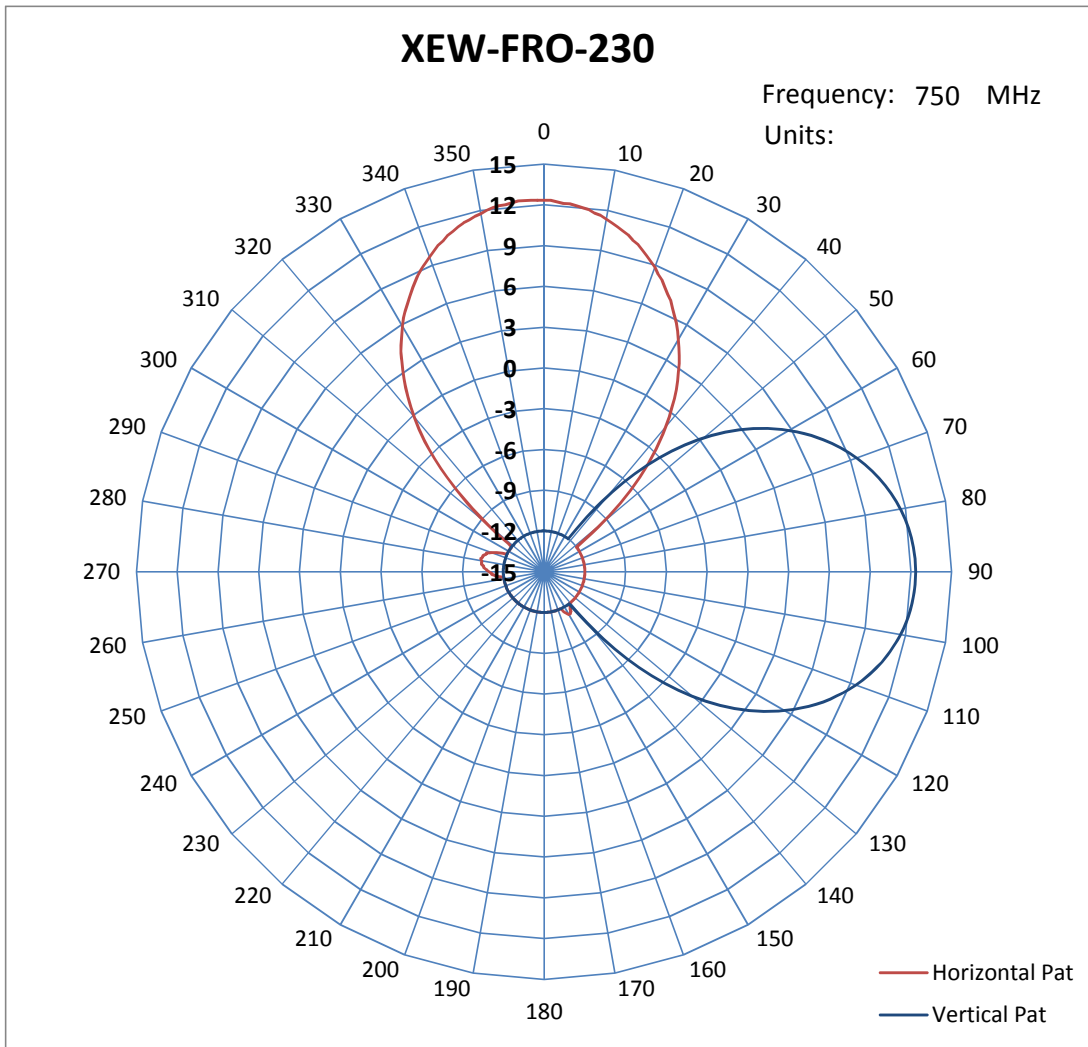
Model	Description
XEW-FRO-230-IP	X-Pol dual band, 0° electrical downtilt with two DIN connectors and integrated diplexers.
XEW-FRO-230-HP	X-Pol dual band, 0° electrical downtilt with two DIN connectors and integrated high power diplexers.



XEW-FRO-230

X-Pol Antenna, 698-945/1710-2360MHz, 24", 30° E/H Beams

Patterns Measured @ 750MHz



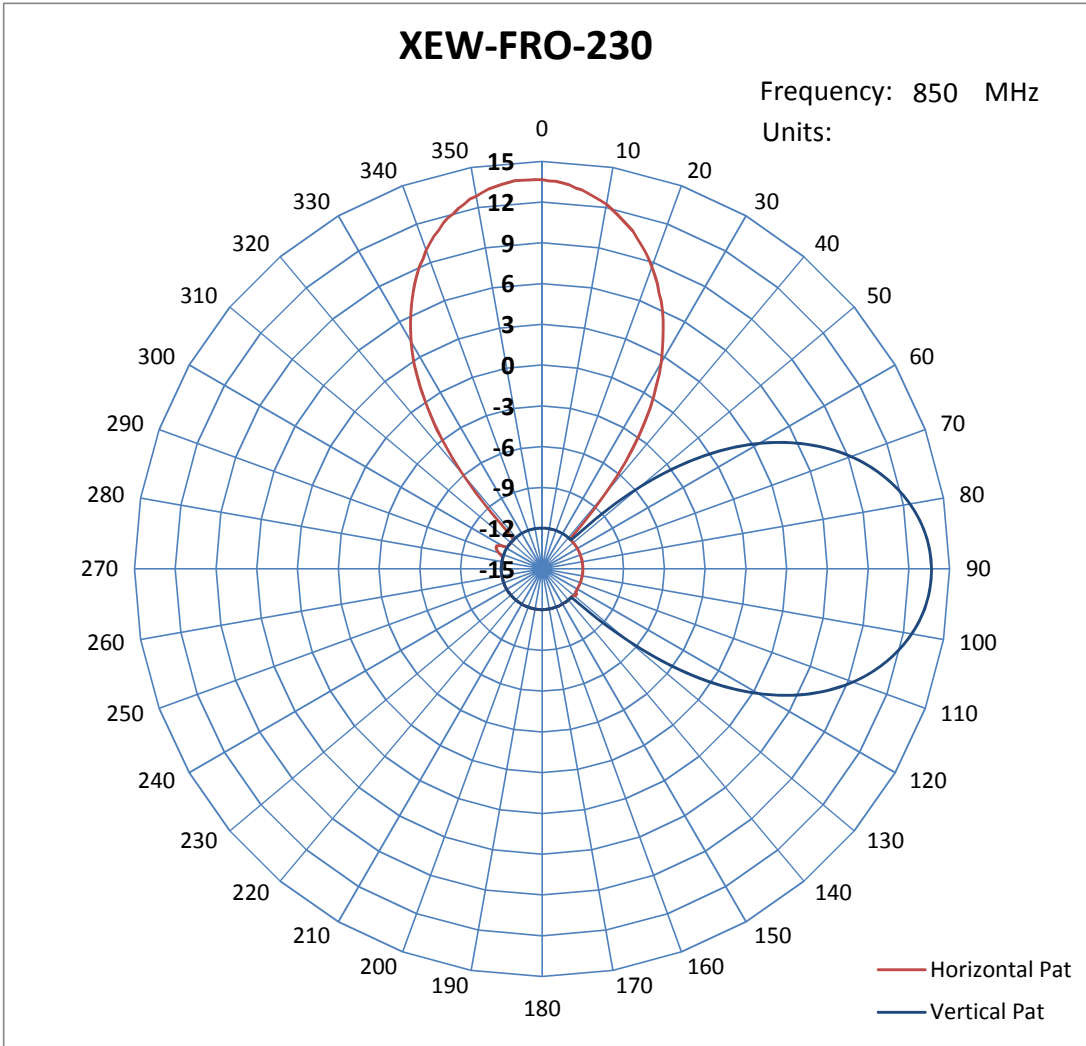
Center = -15dB, with 3dB/radial division and 10° angular division



XEW-FRO-230

X-Pol Antenna, 698-945/1710-2360MHz, 24", 30° E/H Beams

Patterns Measured @ 850MHz



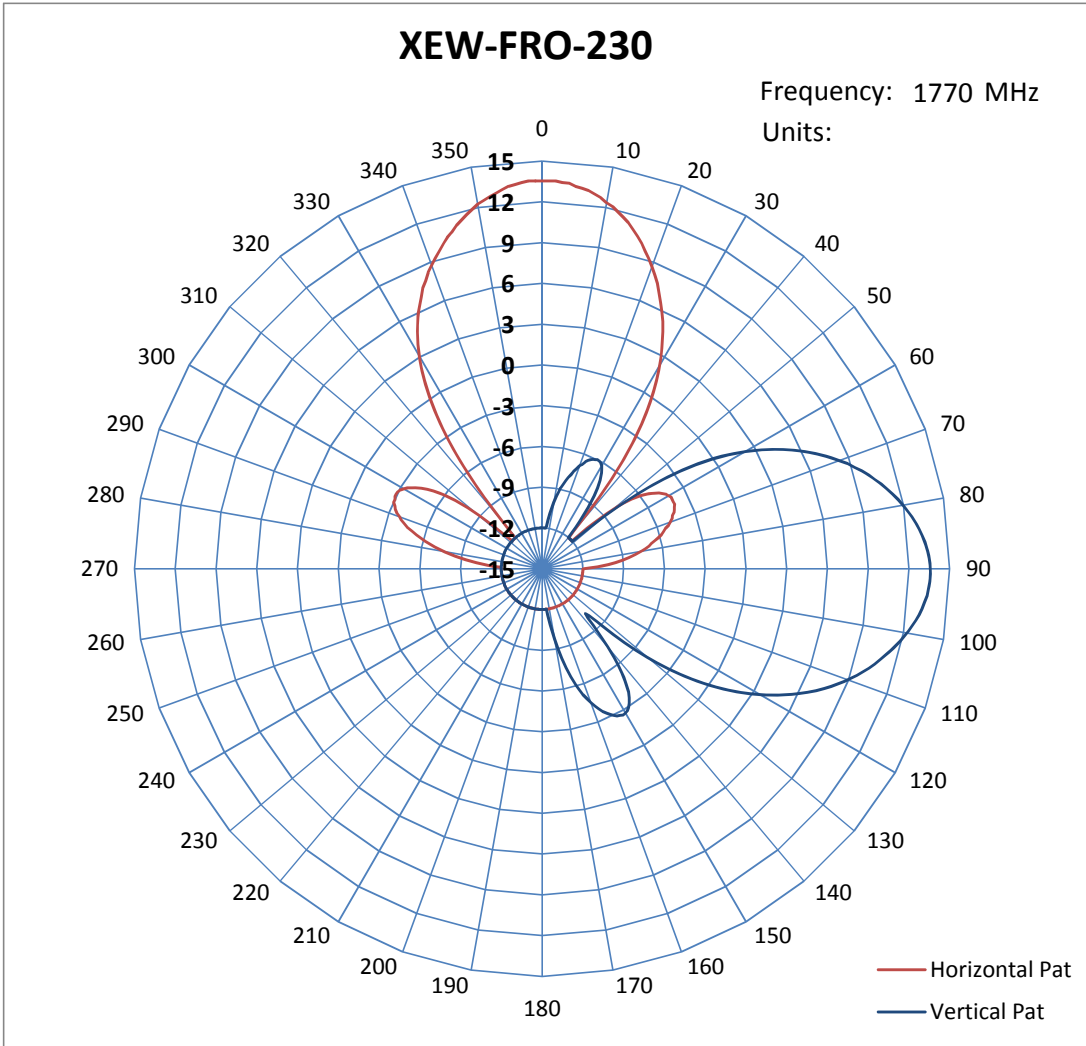
Center = -15dB, with 3dB/radial division and 10° angular division



XEW-FRO-230

X-Pol Antenna, 698-945/1710-2360MHz, 24", 30° E/H Beams

Patterns Measured @ 1770MHz

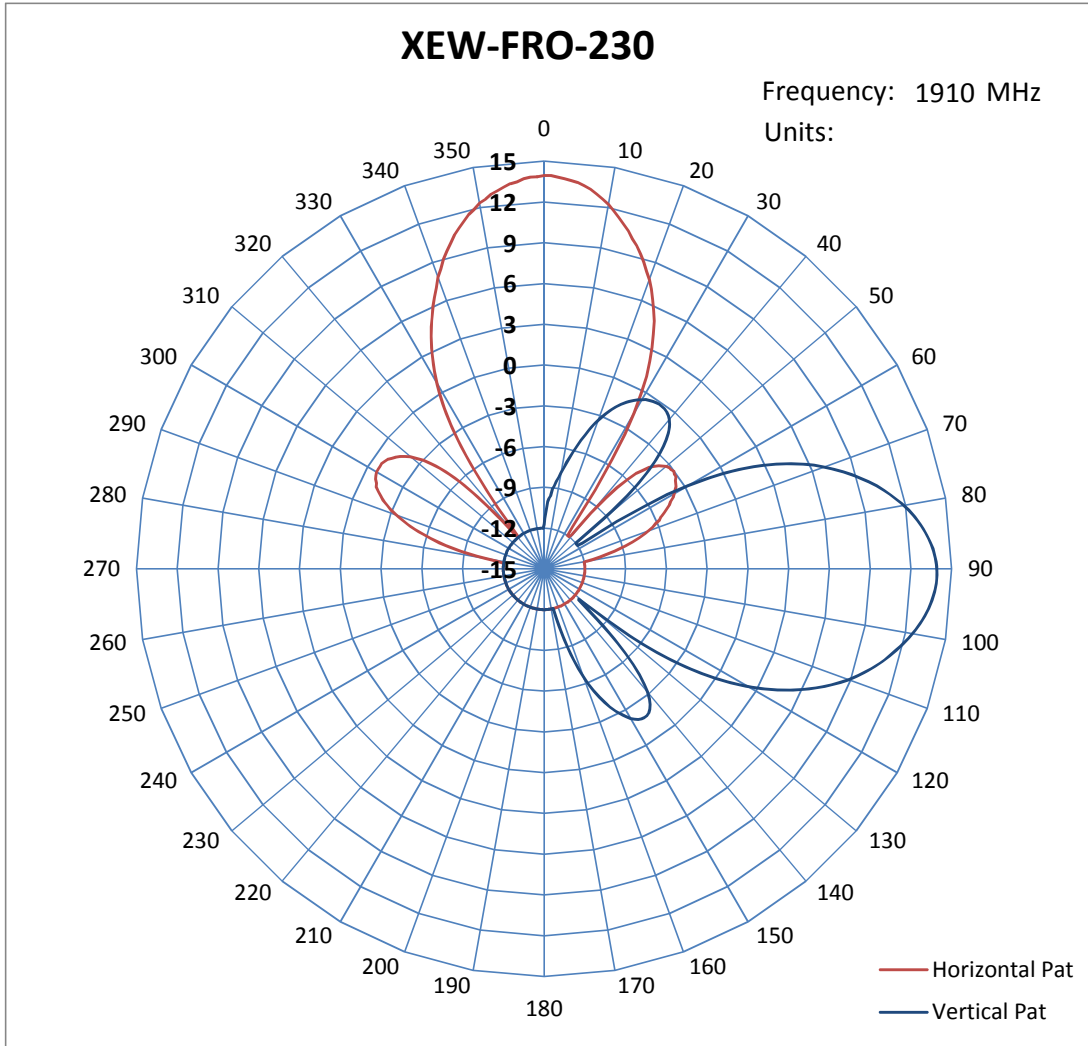




XEW-FRO-230

X-Pol Antenna, 698-945/1710-2360MHz, 24", 30° E/H Beams

Patterns Measured @ 1910MHz



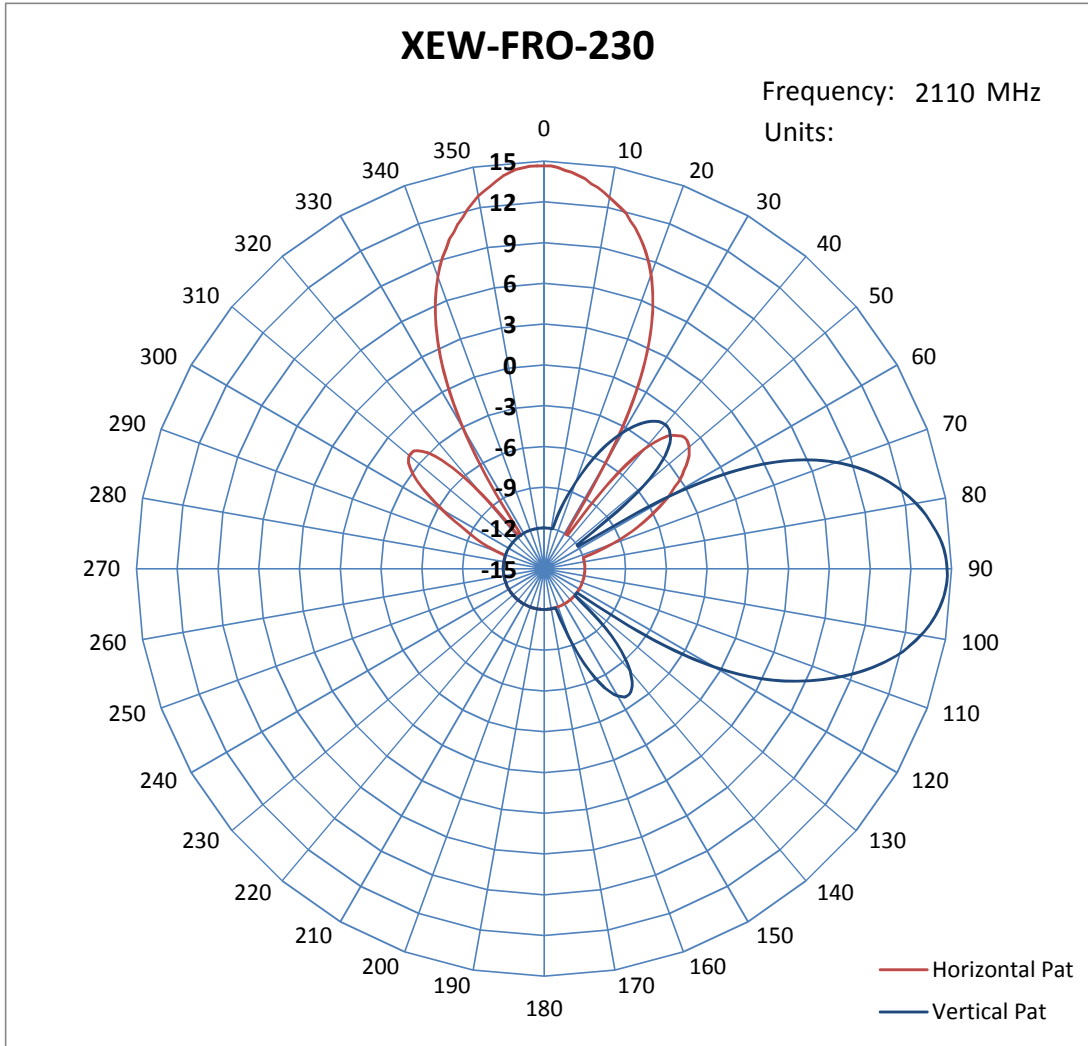
Center = -15dB, with 3 dB/radial division and 10° angular division



XEW-FRO-230

X-Pol Antenna, 698-945/1710-2360MHz, 24", 30° E/H Beams

Patterns Measured @ 2110MHz



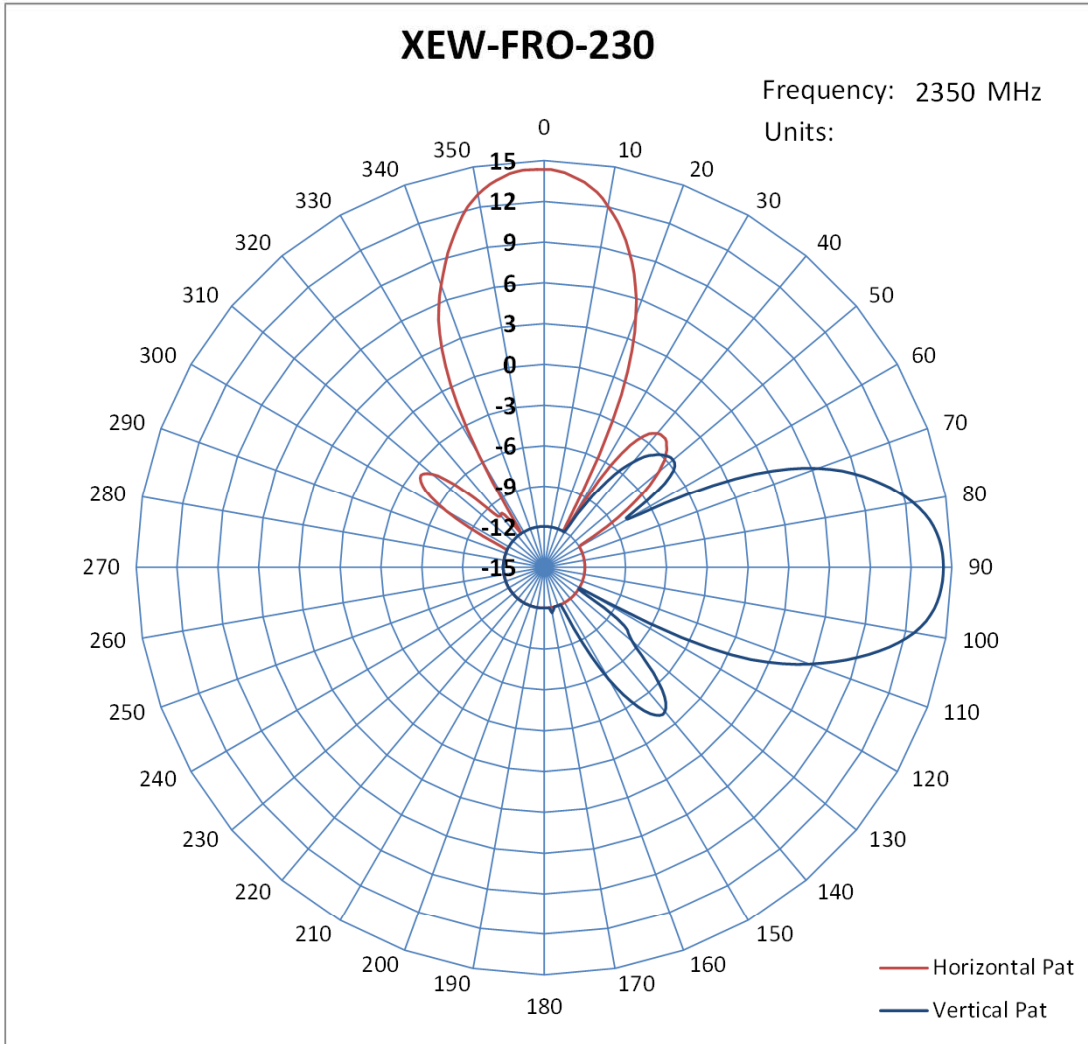
Center = -15dB, with 3dB/radial division and 10° angular division



XEW-FRO-230

X-Pol Antenna, 698-945/1710-2360MHz, 24", 30° E/H Beams

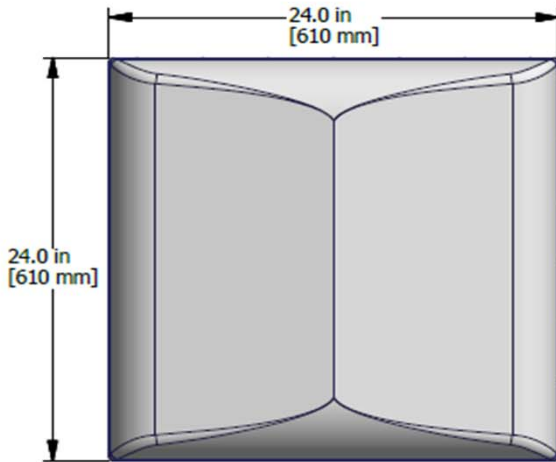
Patterns Measured @ 2350MHz



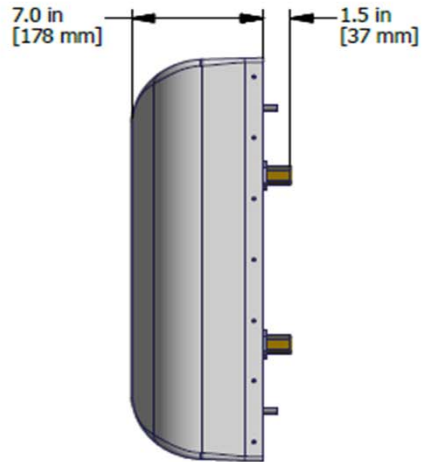
Center = -15dB, with 3dB/radial division and 10° angular division

Mechanical Outline Drawing

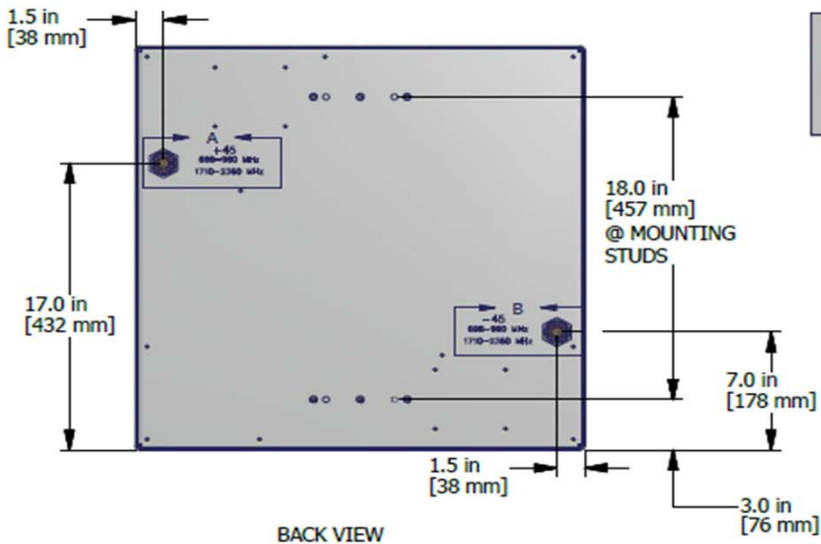
XEW-FRO-230-IP



FRONT VIEW



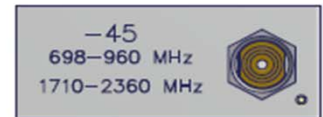
SIDE VIEW



BACK VIEW



DETAIL A



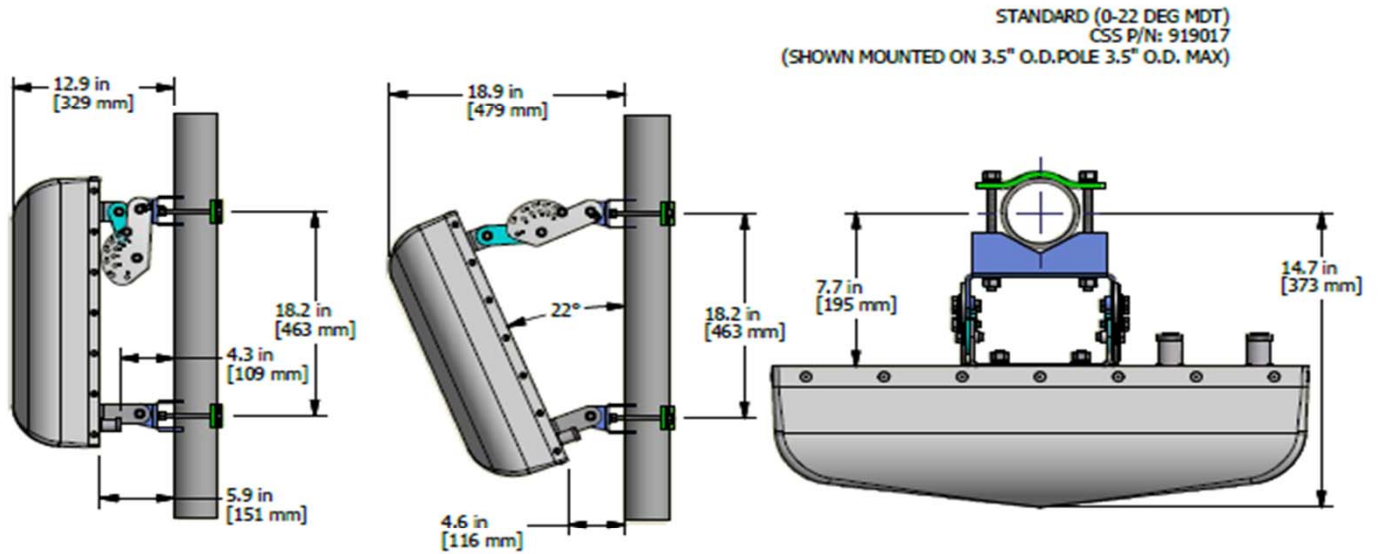
DETAIL B



XEW-FRO-230

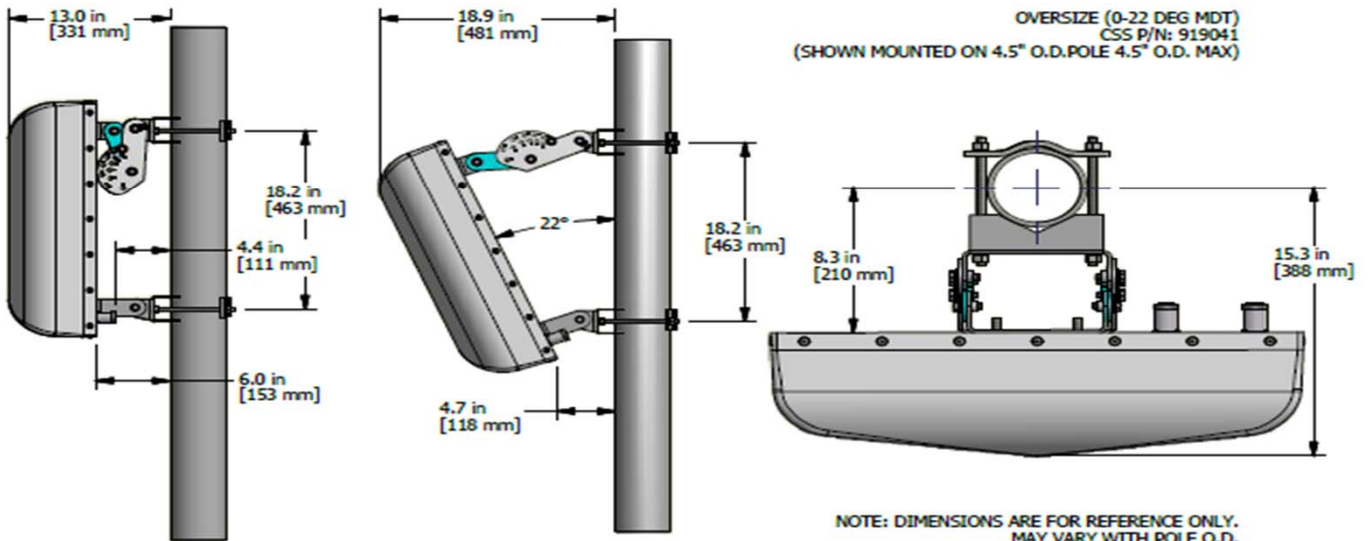
X-Pol Antenna, 698-945/1710-2360MHz, 24", 30° E/H Beams

Standard Bracket Kit



NOTE: DIMENSIONS ARE FOR REFERENCE ONLY. MAY VARY WITH POLE O.D.

Optional Bracket Kit



NOTE: DIMENSIONS ARE FOR REFERENCE ONLY. MAY VARY WITH POLE O.D.