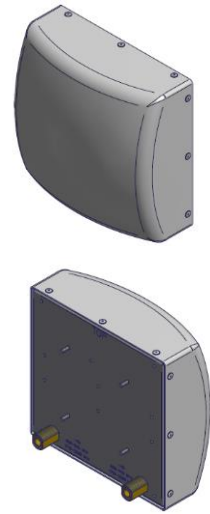


XEW-165

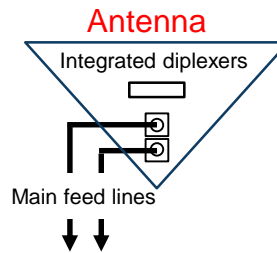
X-Pol Antenna, 698-945/1710-2360MHz, 12" , 65° H-Beams

- 698-945 MHz low band and 1710-2360 MHz high band
- Widely used stadium antenna
- Includes flexible stadium bracket
- Suitable for WCS/LTE/CDMA/UMTS/GSM



Includes Integrated Diplexers

- Reduces RF Cables
- Eliminates external devices



ELECTRICAL SPECIFICATIONS

Frequency Band, MHz	698-824	824-945	1710-1880	1800-1990	1920-2170	2190-2360
Horizontal Beamwidth, 3dB points	70°	60°	62°	64°	64°	56°
Gain, dBi	7.6	8.0	10.8	11.1	11.4	11.2
Vertical Beamwidth, 3dB points	76°	68°	37°	34°	33°	28°
Front-to-Back at 180°, dB	> 28		> 28			
Upper Side Lobe Supression, Typical, dB	<-18		<-18			
Polarization	+/-45°		+/-45°			
Electrical Downtilt	0°		0°			
VSWR/Return Loss, dB, Maximum	1.7:1/11.8		1.7:1/11.8			
Isolation Between Ports, dB, Minimum	28		28			
Intermodulation (2x20w), IM3, dBc, Maximum	-150		-150			
Impedance, ohms	50		50			
Maximum Power Per Connector, CW (w)	100		100			

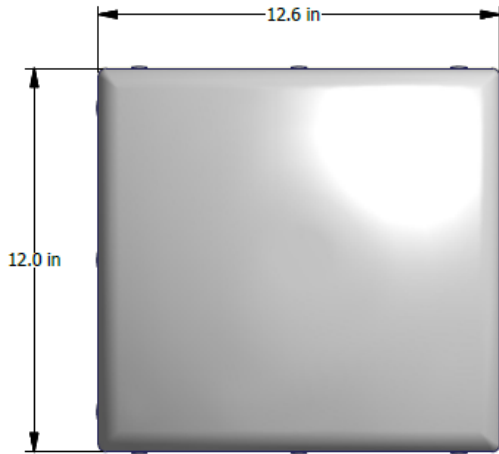
MECHANICAL SPECIFICATIONS

Dimensions, Length/Width/Depth	12.0/12.6/5.6 in (304.8/320.0/142.2 mm)
Connector (Quantity) Type	(2) 7-16 DIN Female
Connector Torque	220-265 lbf-in (23-30 N-m)
Connector Location	Back
Antenna Weight	10.8 lb (4.9 kg)
Bracket Weight	5.0 lb (2.3 kg)
Standard Bracket Kit	P/N 919050 (Included)
Mechanical Downtilt Range	+/- 35° Lateral & +/- 55° Vertical
Radome Material	High Strength Luran, UV Stabilized, ASTM D1925
Wind Survival	150 mph (241.4 km/h)
Front Wind Load	26.0 lbf (115.8 N) @100mph
Equivalent Flat Plate	0.52 sq-ft (c=2) @ 100mph

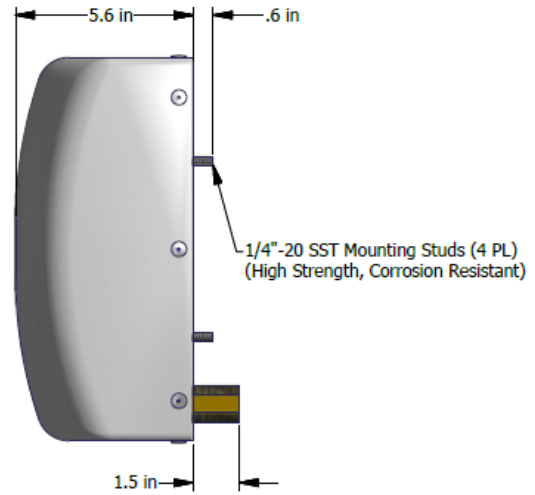
ORDER INFORMATION

MODEL	DESCRIPTION
XEW-165-IP	X-Pol dual band, 0° electrical downtilt with two DIN connectors and integrated diplexers.
XEW-165-IPN	X-Pol dual band, 0° electrical downtilt with two N-connectors and integrated diplexers.

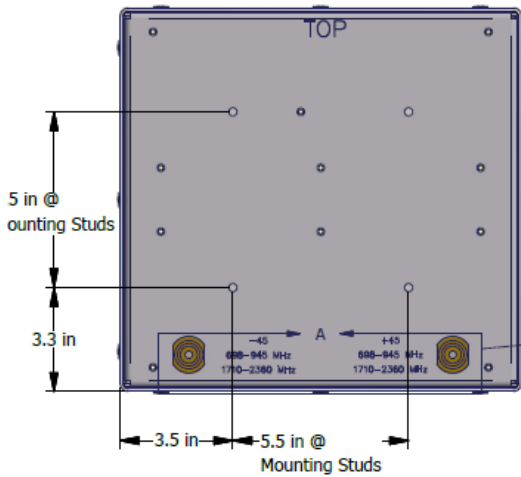
Mechanical Outline Drawing



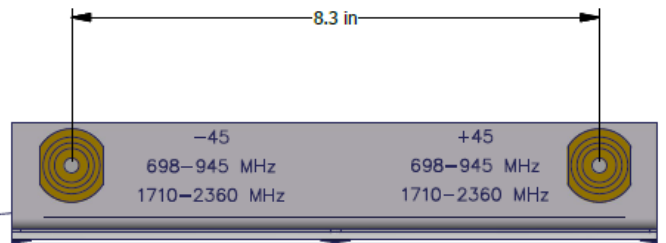
FRONT VIEW



SIDE VIEW



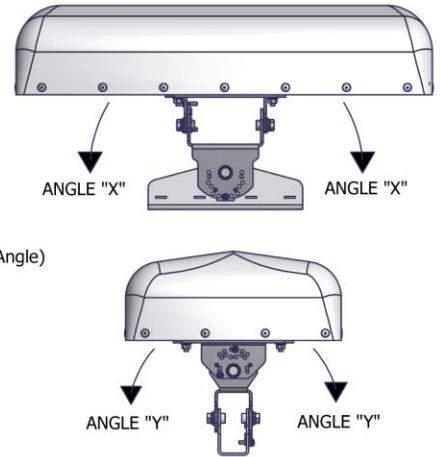
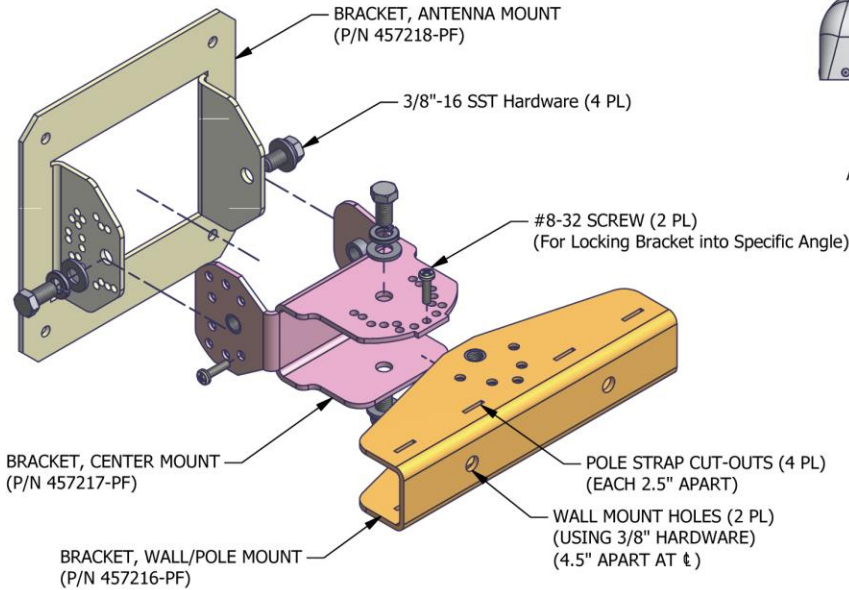
BACK VIEW



DETAIL A

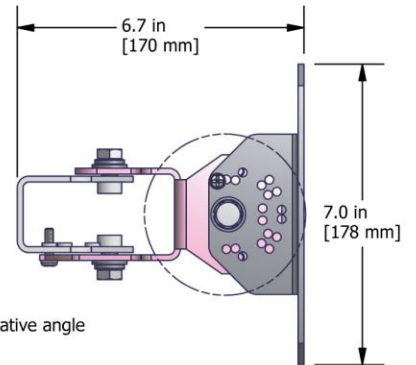
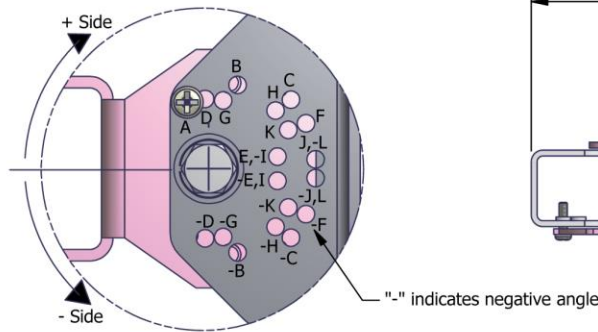
Mechanical Outline Drawing

Stadium Bracket 919050

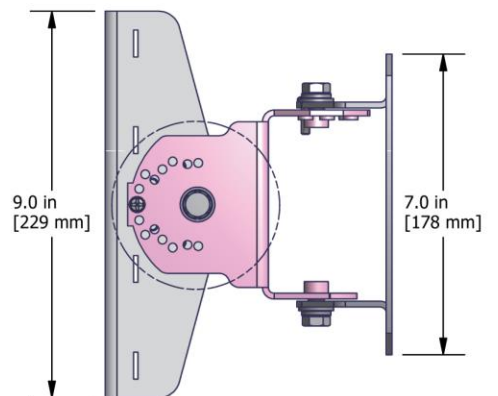
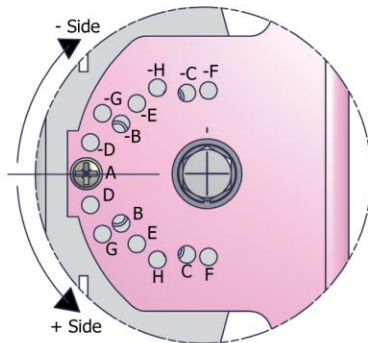


Antenna Size	Maximum Angle (in degree)			
	Pole Mount		Wall Mount	
1' L x 1' W	35	55	35	55
1' L x 2' W	25	55	25	55
1' L x 3' W	20	55	20	55
2' L x 2' W	25	25	25	25

Mech. Downtilt Table	
Legend	Mech. Downtilt
A	0°
B	5°
C	10°
D	15°
E	20°
F	25°
G	30°
H	35°
I	40°
J	45°
K	50°
L	55°



Mech. Downtilt Table	
Legend	Azimuth Rotation
A	0°
B	5°
C	10°
D	15°
E	20°
F	25°
G	30°
H	35°



Note: If the bracket is used in applications that provide additional tilt to the antenna (e.g. slanted poles, upside down hanging, etc.), different weep holes may be required. Please consult our weep hole guide at jmawireless.com/support.