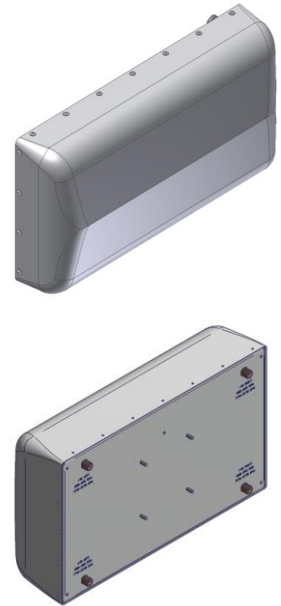


## XEA-MB-134

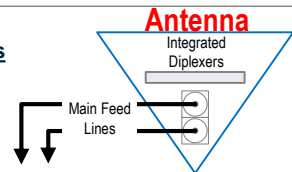
Split Beam,  $\pm 45^\circ$  Polarization, (2) 698-945 MHz & 1710-2180MHz Antennas, 24.3" Length,  $34^\circ$  Horizontal Pattern

- Split beam, 2 sector MIMO Stadium Antenna reduces sector overlap
- Separate housing and reflector construction optimizes RF performance while maximizing mechanical strength
- Good Passive Intermodulation (PIM) performance reduces harmful interference
- Perfect for Stadium/Arena /Special Event coverage
- Includes flexible stadium bracket
- Suitable for LTE/CDMA/UMTS/GSM
- Optional Internal Diplexers reduce external cabling & improve aesthetics



### Available with Integrated Diplexers

- Reduces mainline cables
- Eliminates external devices



## ELECTRICAL SPECIFICATIONS

| Frequency Band, MHz                          | 698-824        | 824-945    | 1695-1850      | 1850-1990  | 1990-2180  |
|--|----------------|------------|----------------|------------|------------|
| Horizontal Beamwidth, 3dB points             | 39             | 34         | 38             | 35         | 33         |
| Gain, dBi                                    | 9.7            | 10.4       | 9.8            | 10.6       | 11.0       |
| Vertical Beamwidth, 3dB points               | $52^\circ$     | $46^\circ$ | $45^\circ$     | $42^\circ$ | $40^\circ$ |
| Front-to-Back at $180^\circ$ , dB            | 23             | 25         | 23             | 25         | 27         |
| Polarization                                 | $\pm 45^\circ$ |            | $\pm 45^\circ$ |            |            |
| Electrical Downtilt Range                    | $0^\circ$      |            | $0^\circ$      |            |            |
| VSWR/Return Loss, dB (maximum)               | 1.7:1/-11.7    |            | 1.7:1/11.7     |            |            |
| Isolation Between Ports, dB, (minimum)       | -25            |            | -25            |            |            |
| Intermodulation (2x20w), IM3, dBc, (maximum) | -150           |            | -150           |            |            |
| Impedance, ohms                              | 50             |            | 50             |            |            |
| Maximum Power Per Connector, CW              | 250            |            | 125            |            |            |

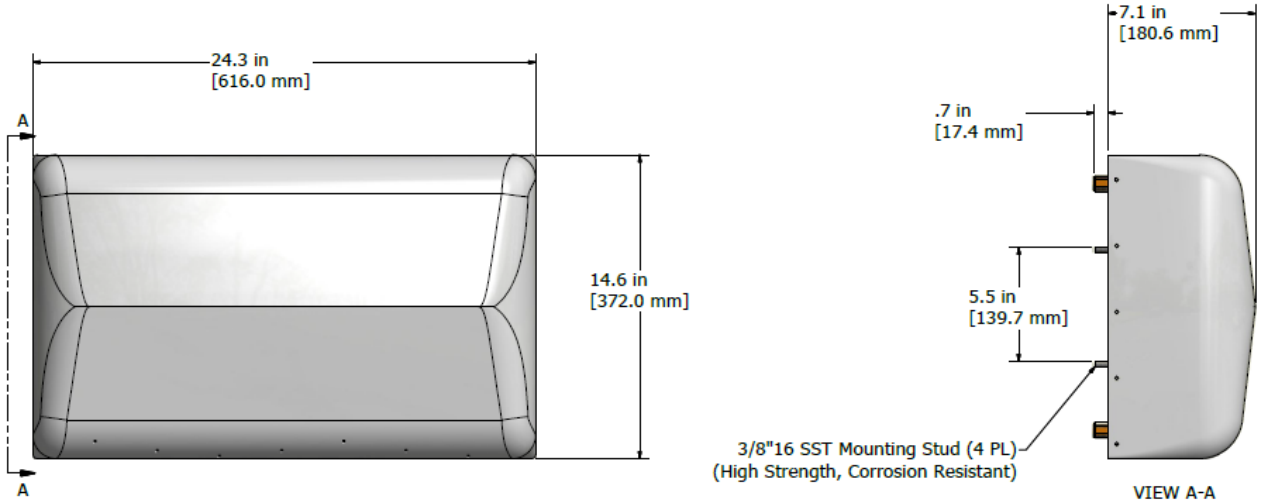
## MECHANICAL SPECIFICATIONS

|   |  |
|---|--|
| Dimensions, Length/Width/Depth                  | 14.6/24.3/7.1 in (372.0/616.0/180.6 mm)        |
| Connector (Quantity) Type                       | (4 or 8) 7-16 DIN Female                       |
| Connector Torque                                | 220-265 lbf-in (23-30 Nm)                      |
| Connector Location                              | Back   |
| Antenna Weight                                  | 15.0 lbs (6.8 kg)                              |
| Bracket Weight (Not included in Antenna Weight) | 5.0 lb (2.3 kg)                                |
| Standard Bracket Kit                            | P/N 919050 ( Included )                        |
| Mechanical Downtilt Range                       | +/- 35° Lateral & +/- 55° Vertical             |
| Radome Material                                 | High Strength Luran, UV Stabilized, ASTM D1925 |
| Wind Survival                                   | 120 mph (193 km/h)                             |
| Front Wind Load                                 | 59.4 lbf (264.3 N) @100mph                     |
| Equivalent Flat Plate                           | 1.18 sq-ft (c=2) @ 100mph                      |

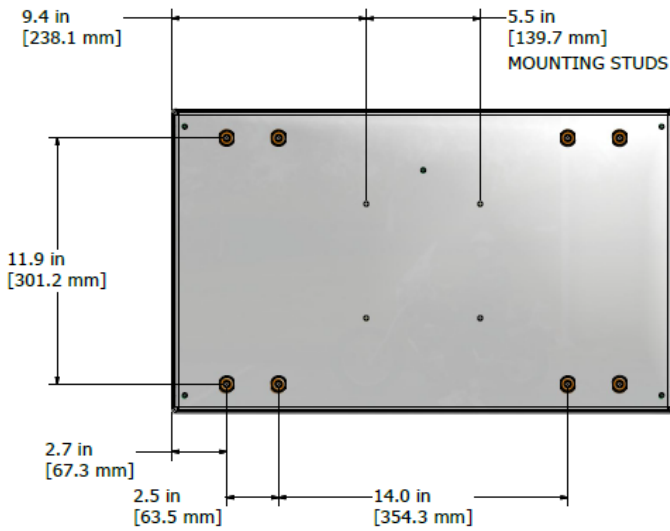
## ORDER INFORMATION

| MODEL            | DESCRIPTION   |
|------------------|---|
| XEA-MB-134-00    | X-Pol dual band, 0° electrical downtilt with eight (8) DIN connectors                       |
| XEA-MB-134-00-IP | X-Pol dual band, 0° electrical downtilt with four (4) DIN connectors, w/ internal duplexers |

### Mechanical Outline Drawing, XEA-MB-134

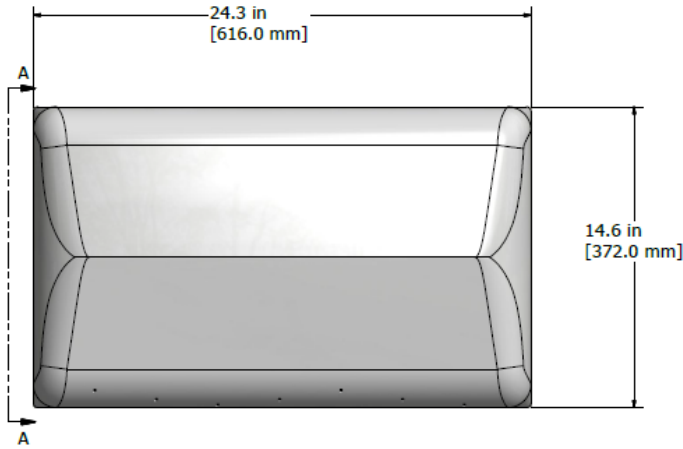


FRONT VIEW

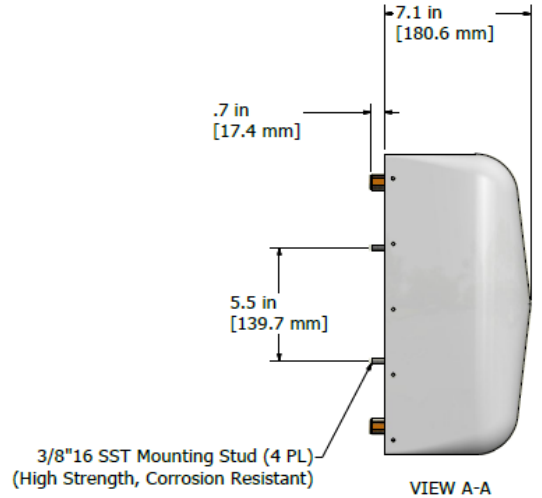


BACK VIEW

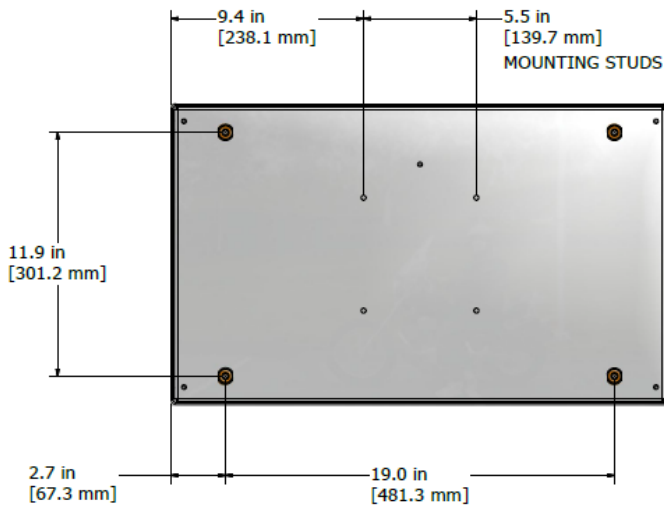
### Mechanical Outline Drawing, XEA-MB-134-IP



FRONT VIEW

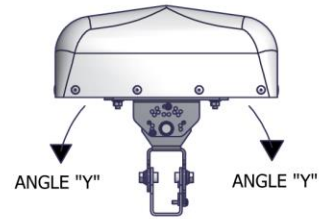
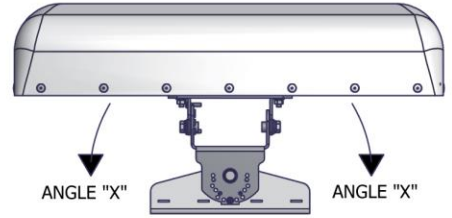
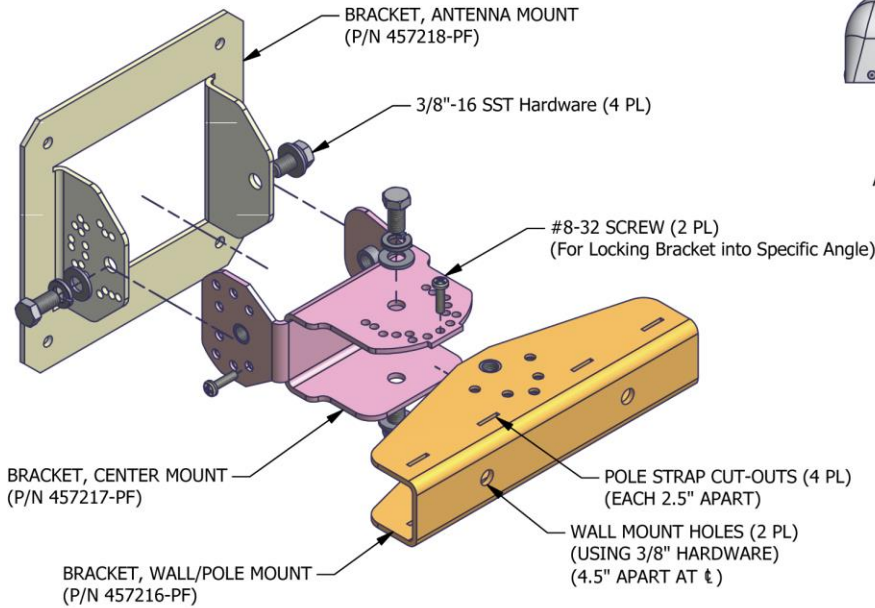


VIEW A-A



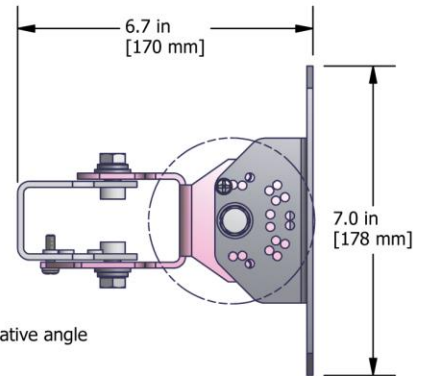
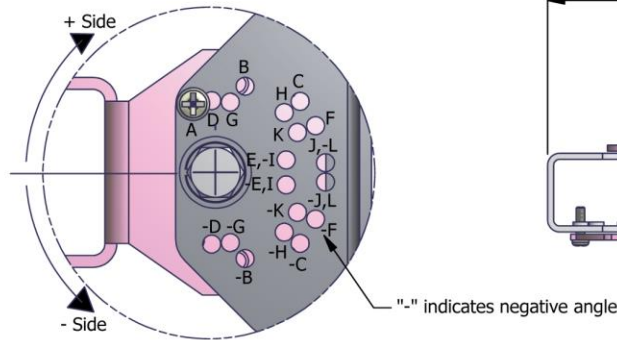
BACK VIEW

### Standard Bracket Kit



| Antenna Size | Maximum Angle (in degree) |    |            |    |
|--------------|---------------------------|----|------------|----|
|              | Pole Mount                |    | Wall Mount |    |
| 1' L x 1' W  | 35                        | 55 | 35         | 55 |
| 1' L x 2' W  | 25                        | 55 | 25         | 55 |
| 1' L x 3' W  | 20                        | 55 | 20         | 55 |
| 2' L x 2' W  | 25                        | 25 | 25         | 25 |

| Mech. Downtilt Table |                |
|----------------------|----------------|
| Legend               | Mech. Downtilt |
| A                    | 0°             |
| B                    | 5°             |
| C                    | 10°            |
| D                    | 15°            |
| E                    | 20°            |
| F                    | 25°            |
| G                    | 30°            |
| H                    | 35°            |
| I                    | 40°            |
| J                    | 45°            |
| K                    | 50°            |
| L                    | 55°            |



| Mech. Downtilt Table |                  |
|----------------------|------------------|
| Legend               | Azimuth Rotation |
| A                    | 0°               |
| B                    | 5°               |
| C                    | 10°              |
| D                    | 15°              |
| E                    | 20°              |
| F                    | 25°              |
| G                    | 30°              |
| H                    | 35°              |

