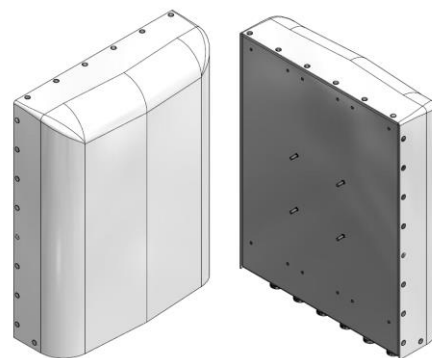


X7CQAP-FRO-260

+/-45° Polarization, (1) 698-896MHz & (2) 1695-2180 MHz antennas, 24" Length, Fast Roll Off 60° Horizontal Pattern, Fixed E-tilt

- Fast Roll Off (FRO) improves Intra and Inter- cell SINR
- Separate housing and reflector construction optimizes RF performance while maximizing mechanical strength
- Good Passive Intermodulation (PIM) performance reduces harmful interference
- Suitable for LTE/CDMA/UMTS/GSM
- Optional wall mount kit available
- Optional multi position stadium mount bracket accommodates most mounting surfaces



ELECTRICAL SPECIFICATIONS

Frequency Band, MHz	698-824	824-896	1695-1850	1850-1990	1990-2180
Horizontal Beam Width, 3dB points	62°	57°	56°	54°	52°
Gain, dBi	10.9	11.5	14.2	14.6	15.0
Vertical Beam Width, 3dB points	42°	35°	17°	16.2°	15.4°
Front-to-Back at 180°, dB	> 30		> 30		
Polarization	+/-45°		2x +/-45°		
Electrical Downtilt	0°		0°		
VSWR/Return Loss, dB, Maximum	1.5:1/14.0		1.5:1/14.0		
Isolation Between Ports, dB, Minimum	>26		>26		
Co-Polar Isolation Inter Antenna	> 28		> 28		
Intermodulation (2x20w), IM3, dBc	-153		-153		
Impedance, ohms	50		50		
Maximum Power Per Connector, CW (w)	250		125		

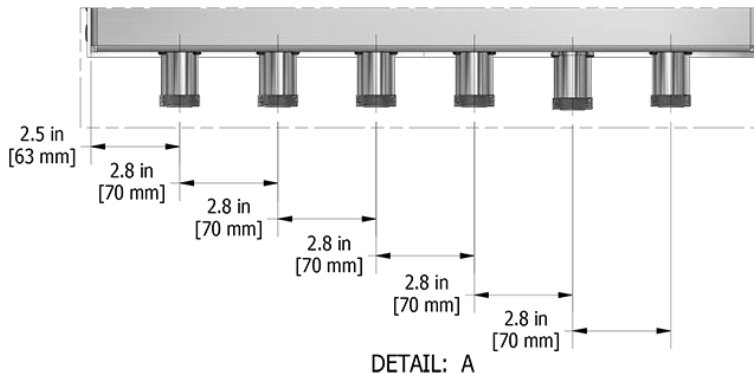
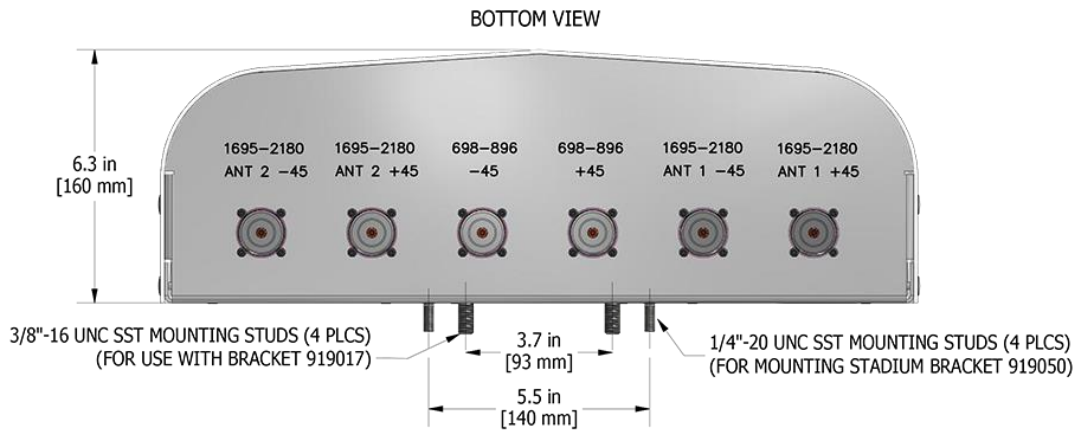
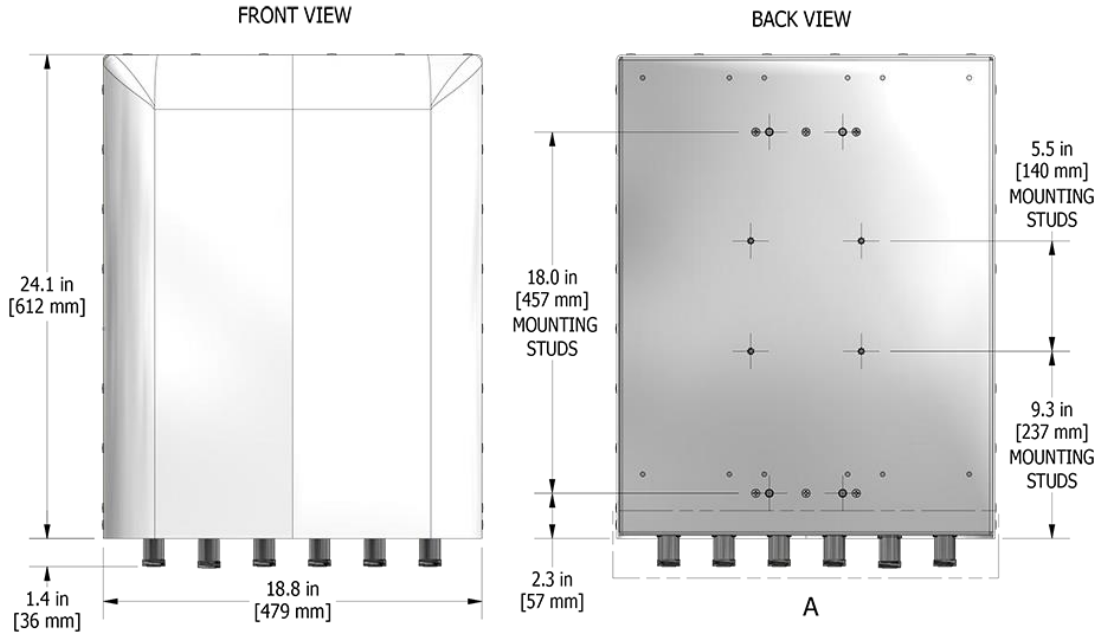
MECHANICAL SPECIFICATIONS

Dimensions, Length/Width/Depth	24.1 x 18.8 x 6.3 (612 x 479 x 160 mm)
Connector (Quantity) Type	(6 Total: 2 Low Band, 4 High Band) 7-16 DIN Female
Connector Torque	216-238 lbf-in (25-27 N-m)
Connector Location	Bottom
Antenna Weight	15 lbs (6.82Kg)
Bracket Weight (not included in antenna weight)	14 lbs (6.36Kg)
Standard Bracket Kit	919017
Mechanical Downtilt Range	0°-21°
Radome Material	High Strength Luran, UV Stabilized, ASTM D1925
Wind Survival	150 mph (241 km/h)
Front Wind Load @100mph	112 lbf (501 N)
Equivalent Flat Plate @ 100mph	2.25 sq-ft (c=2) @100 mph

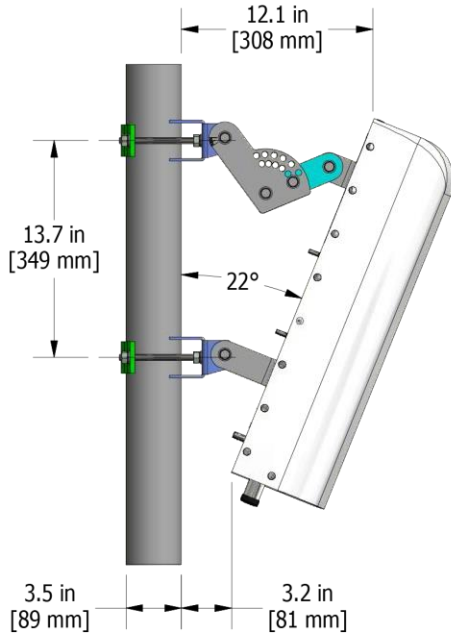
ORDER INFORMATION

MODEL	DESCRIPTION
X7CQAP-FRO-260-0	6 Port 2' Antenna: 2 Low Band, 4 High Band ports 60 Degree FRO 0Deg EDT
919050	Optional- Stadium Mount Bracket

MECHANICAL DRAWING



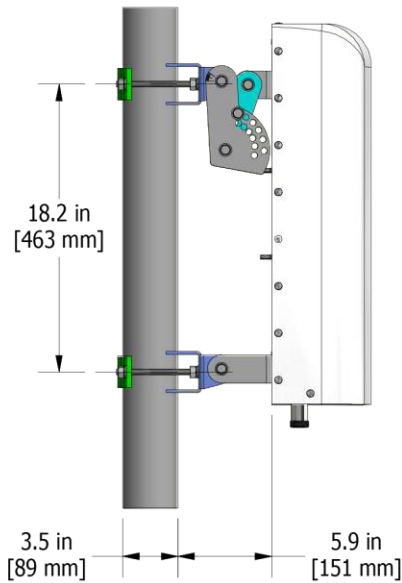
STANDARD BRACKET KIT - 919017



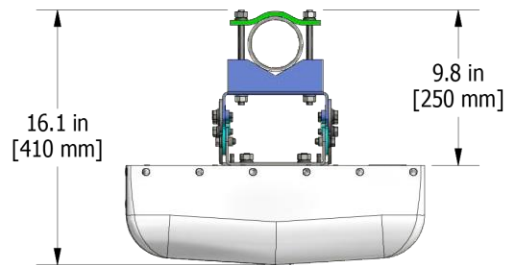
SIDE VIEW (22 DEG)
SCALE: 3/32



JMA PART # **919017**
2 POINT, 0-22 DEG DOWNTILT
3.5" MAX POLE SIZE



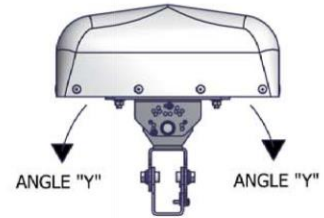
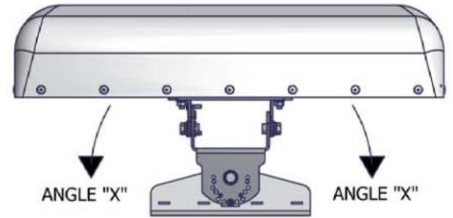
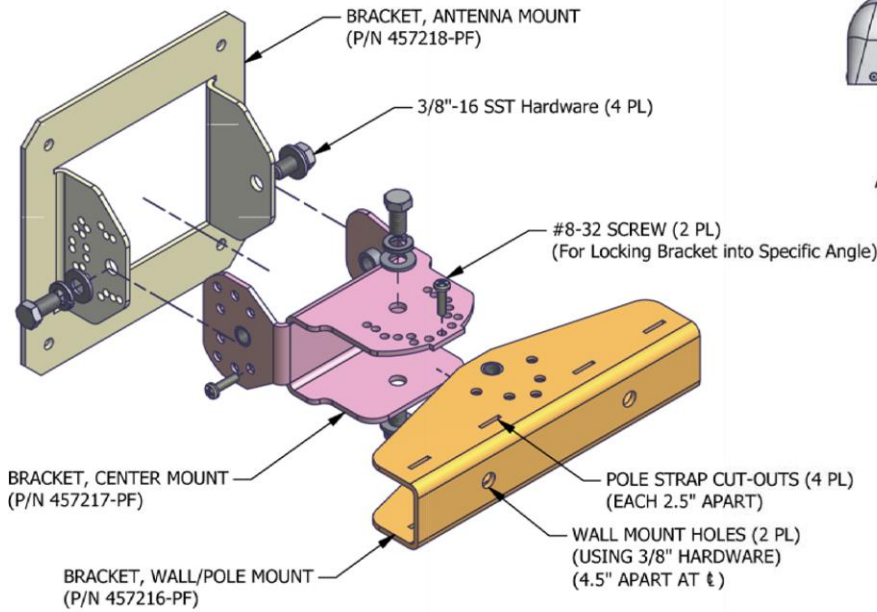
SIDE VIEW (0 DEG)
SCALE: 3/32



TOP VIEW (0 DEG)
SCALE: 3/32

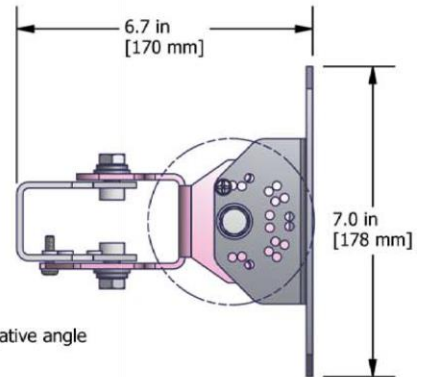
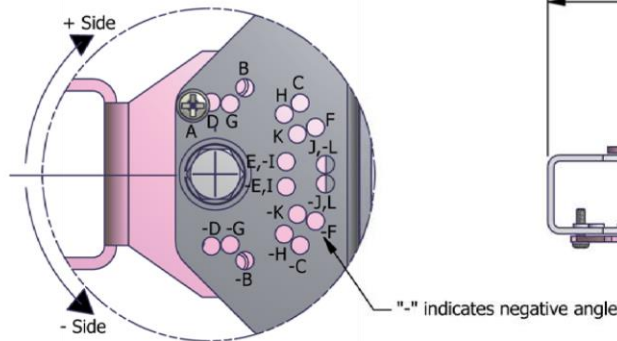
X7CQAP-FRO-260

OPTIONAL BRACKET KIT - 919050



Antenna Size	Maximum Angle (in degree)			
	Pole Mount		Wall Mount	
1' L x 1' W	35	55	35	55
1' L x 2' W	25	55	25	55
1' L x 3' W	20	55	20	55
2' L x 2' W	25	25	25	25

Mech. Downtilt Table	
Legend	Mech. Downtilt
A	0°
B	5°
C	10°
D	15°
E	20°
F	25°
G	30°
H	35°
I	40°
J	45°
K	50°
L	55°



Mech. Downtilt Table	
Legend	Azimuth Rotation
A	0°
B	5°
C	10°
D	15°
E	20°
F	25°
G	30°
H	35°

