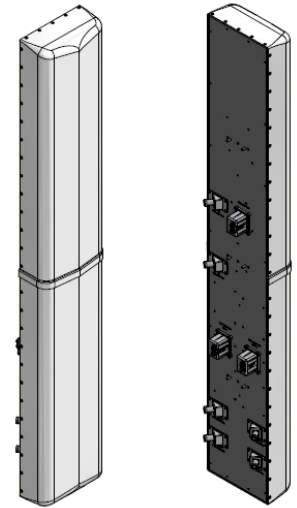


X7CQAP-86-865-V

1 Xpol Low Band 2 Xpol High Band, 698-896/1695-2180MHz, 96", 65° H-Beam

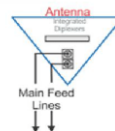
Variable E-Tilt RET

- 6 Port Antenna: One 8' Low Band, Two 6' High Band Antennas in a Single Radome, all with Separate Tilts
- Quantity 3 RET or MET Setup
- Suitable for LTE/CDMA/UMTS/GSM
- AISG 2.0 RET Control
- Optional Internal Diplexers



Available with Integrated Diplexers

- Reduces mainline cables
- Eliminates external devices



ELECTRICAL SPECIFICATIONS

Frequency Band, MHz	698-824	824-896	1695-1880	1850-1990	1920-2180
Horizontal Beam Width, 3dB points	64°	60°	63°	65°	67°
Gain, dBi	16.7	17.0	17.2	16.9	16.8
Vertical Beam Width, 3dB points	9.8°	8.1°	6.4	6.1°	6.1°
Upper Side Lobe Suppression, Typical, dB	<-16	<-17	<-16	<-16	<-16
Cross Polar Ratio (CPR) at Bore Sight, dB	>20	>20	>20	>20	>20
Cross Polar Ratio (CPR) at Sector +/- 60°, dB	>10	>6	>8	>8	>10
Front-to-Back at 180°, dB	> 28		> 28		
Polarization	+/-45°		2x +/-45°		
Electrical Down Tilt	0°-6° or 4°-10°		0°-6° or 4°-10°		
VSWR/Return Loss, dB, Maximum	1.5:1/14.0		1.5:1/14.0		
VSWR/Return Loss, dB, Maximum w/IP model	1.6:1/12.7		1.6:1/12.7		
Isolation Between Ports, dB, Minimum	>28		>28		
Co – Polar Isolation Inter Antenna	N/A		> 28		
Intermodulation (2x20w), IM3, dBc, Maximum	-153		-153		
Impedance, Ohms	50		50		
Maximum Power Per Connector, CW (w)	500		250		

MECHANICAL SPECIFICATIONS

Dimensions, Length/Width/Depth	96.0/14.6/7.3 in (2438/371/186mm)
Connector (Quantity) Type non- IP Model	(6 total: 2 low band, 4high Band) , 7-16 DIN Female
Connector (Quantity) Type IP Model	(4 total: 2 HB, 2 LB/ HB diplexed) , 7-16 DIN Female
Connector Torque	220-265 lbf-in (23-30 N-m)
Connector Location	Back or Bottom
Antenna Weight	53.6 lbs (24.31 Kg)
Bracket Weight	18.2 lbs (8.25 Kg)
Standard Bracket Kit	919032 (Included)
Mechanical Downtilt Range	0°-6°
Radome Material	High Strength Luran, UV Stabilized, ASTM D1925
Wind Survival	150 mph (241 km/h)
Front Wind Load @100mph	282.2 lbf (1255.2 N)
Equivalent Flat Plate @ 100mph	5.62 sq-ft (c=2)

RET INFORMATION

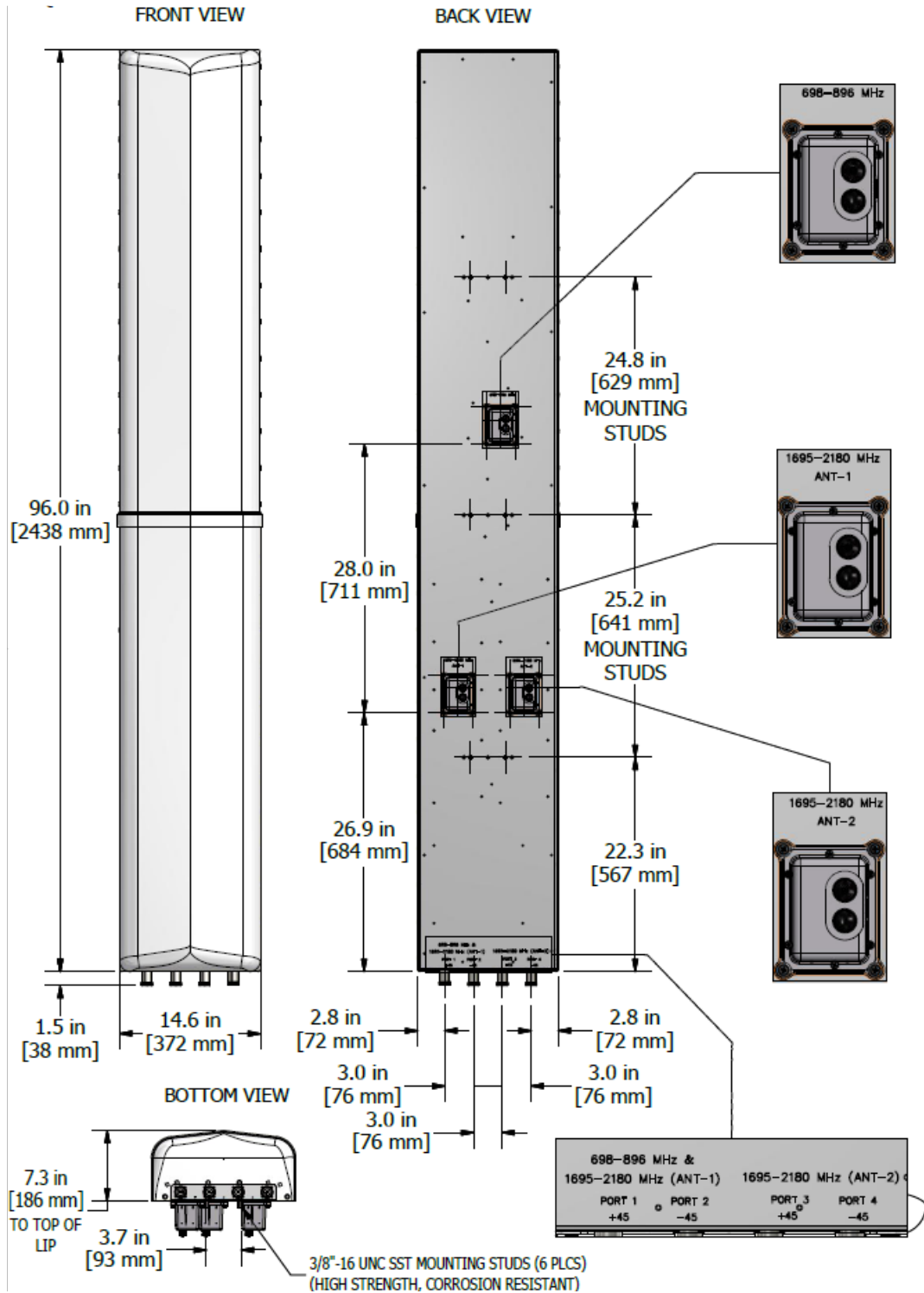
Model	CSS-RET-200
Mounting Location	Back
Weight	1.2 lb (0.54 kg)
Communication Standard	AISG 2.0
Control System	PCU-1000



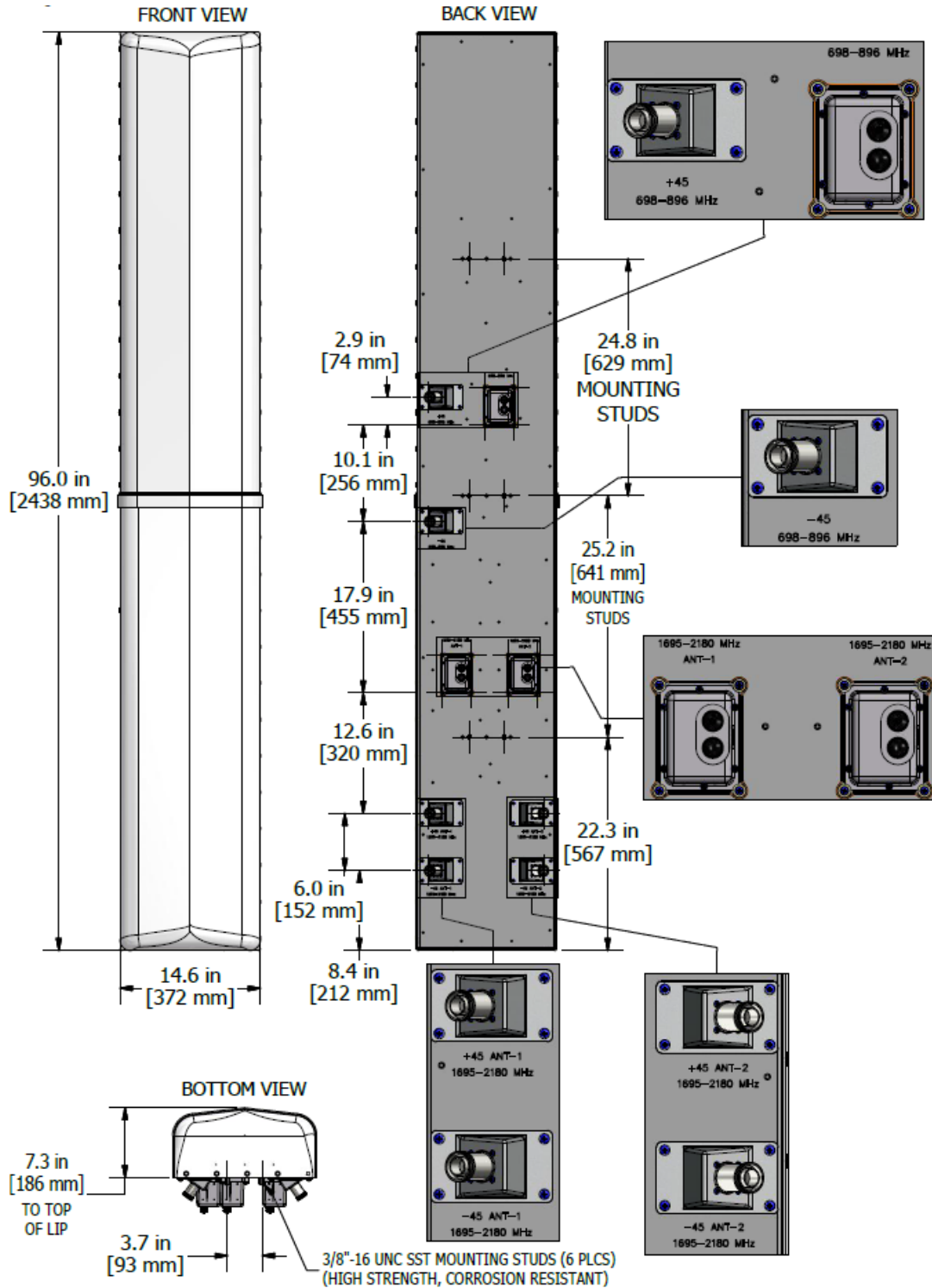
ORDER INFORMATION

MODEL	DESCRIPTION
X7CQAP-86-865-VR0	Remote motor adjust variable e-tilt (RET), EDT 0-6° low band and 0-6° high band
X7CQAP-86-865-VR4	Remote motor adjust variable e-tilt (RET), EDT 4-10° low band and 4-10° high band
X7CQAP-865-VR0-IPB	Remote motor adjust variable e-tilt (RET), EDT 0-6° low band and 0-6° high band with Internal diplexers
919049	Optional Bracket Kit, 3-Point, 6 deg D-tilt, For 4.5" OD Pole
992100-CA013-SC	AISG Jumper Cable, M/F, 1.3 meters

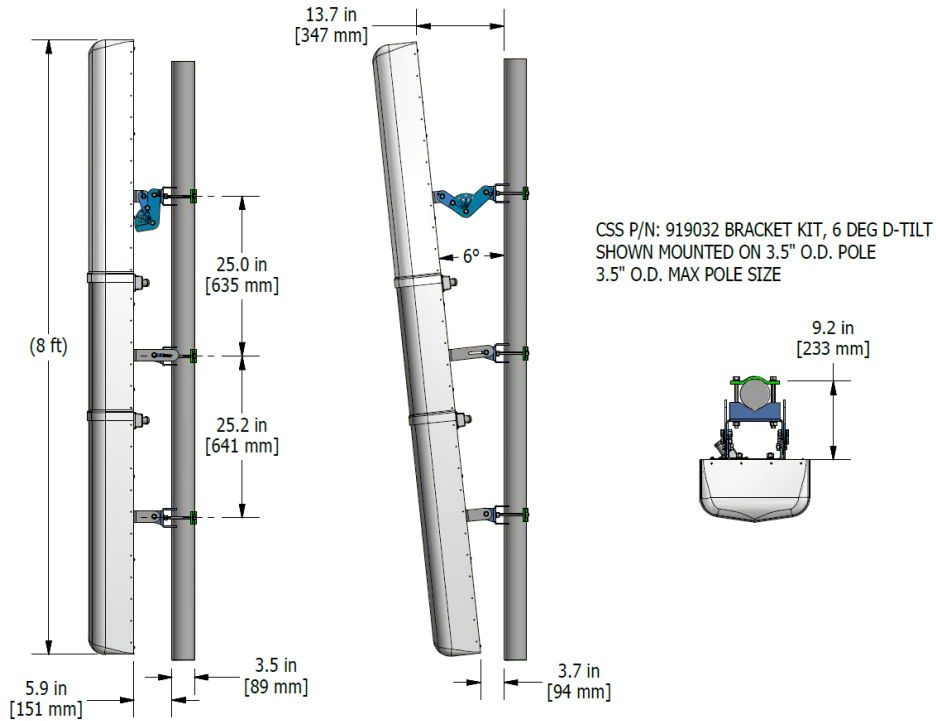
Mechanical Outline Drawing: RET & IPB Version



Mechanical Outline Drawing: RET Version



Standard Bracket Kit



Optional Bracket Kit

