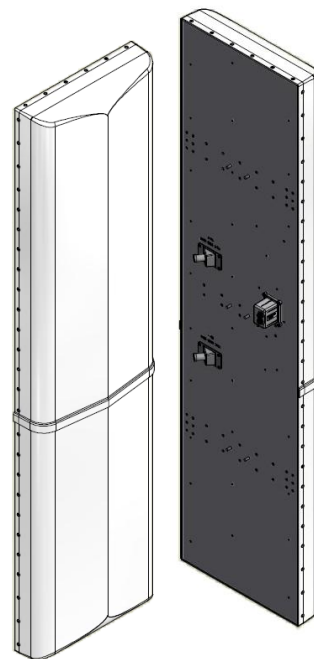


## X7C-FRO-830-V

X-Polarization, 698-896MHz, 96", Fast Roll Off, 30° H-Beam  
Variable E-Tilt, RET

- Macro Cell Antenna
- Fast Roll Off (FRO)
- Suitable for LTE/CDMA/UMTS/GSM
- AISG 2.0 RET control



### ELECTRICAL SPECIFICATIONS

| Frequency Band, MHz                      | 698-824         | 824-896 |
|--|-----------------|---------|
| Horizontal Beamwidth, 3dB points         | 35°             | 30°     |
| Gain, dBi                                | 18.9            | 19.7    |
| Vertical Beamwidth, 3dB points           | 9.7°            | 8.5°    |
| Front-to-Back at 180°, dB                | >30             |         |
| Upper Sidelobe Suppression, Typical, dB  | <-18            |         |
| Azimuth Sidelobe Suppression, Typical dB | <-15            |         |
| Polarization                             | +/-45°          |         |
| Electrical Downtilt                      | 0°-6° or 4°-10° |         |
| VSWR/Return Loss, dB, Maximum            | 1.5:1/-14.0     |         |
| Isolation Between Ports, dB, Minimum     | >28             |         |
| Intermodulation (2x20w), IM3, dBc        | -150            |         |
| Impedance, ohms                          | 50              |         |
| Maximum Power Per Connector, CW (w)      | 500             |         |

## MECHANICAL SPECIFICATIONS

|                                |  |
|--------------------------------|--|
| Dimensions, Length/Width/Depth | 96.0/24.0/7.2 in (2438/610/183 mm)             |
| Connector (Quantity) Type      | (2) 7-16 DIN Female                            |
| Connector Torque               | 220-265 lbf-in (23-30 N-m)                     |
| Connector Location             | Back   |
| Antenna Weight                 | 72 lbs (32.6 kg)                               |
| Bracket Weight                 | 18.2 lb (8.3 kg)                               |
| Standard Bracket Kit           | P/N 919032 (Included )                         |
| Mechanical Downtilt Range      | 0°-6°  |
| Radome Material                | High Strength Luran, UV Stabilized, ASTM D1925 |
| Wind Survival                  | 150 mph (241 km/h)                             |
| Front Wind Load                | 397.6 lbf (1768.4.7 N) @100mph                 |
| Equivalent Flat Plate          | 7.92 sq-ft (c=2) @ 100mph                      |

## RET INFORMATION

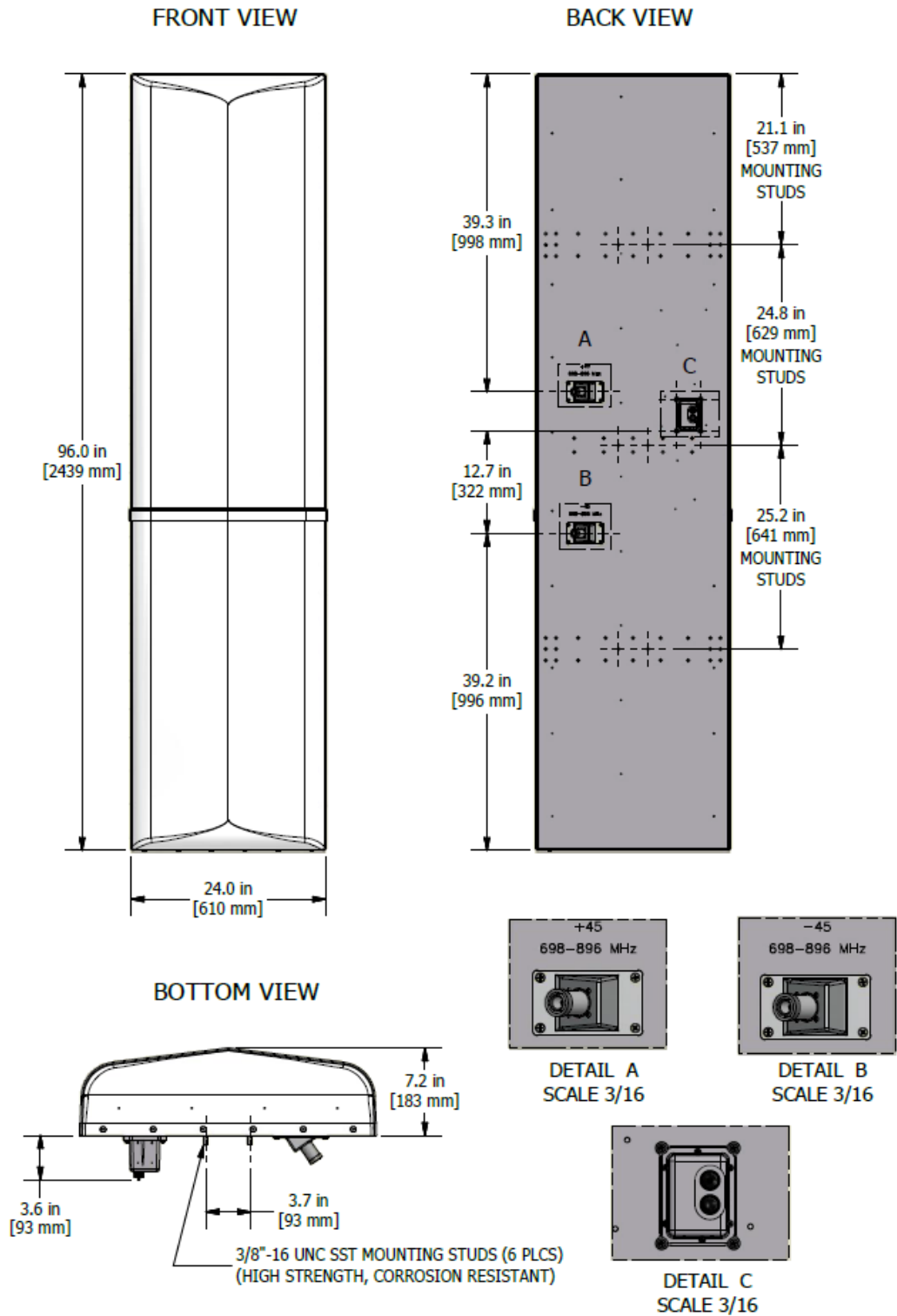
|                        |                  |
|------------------------|------------------|
| Model                  | RET-200          |
| Mounting Location      | Back             |
| Weight                 | 1.2 lb (0.54 kg) |
| Communication Standard | AISG 2.0         |
| Control System         | PCU-1000         |



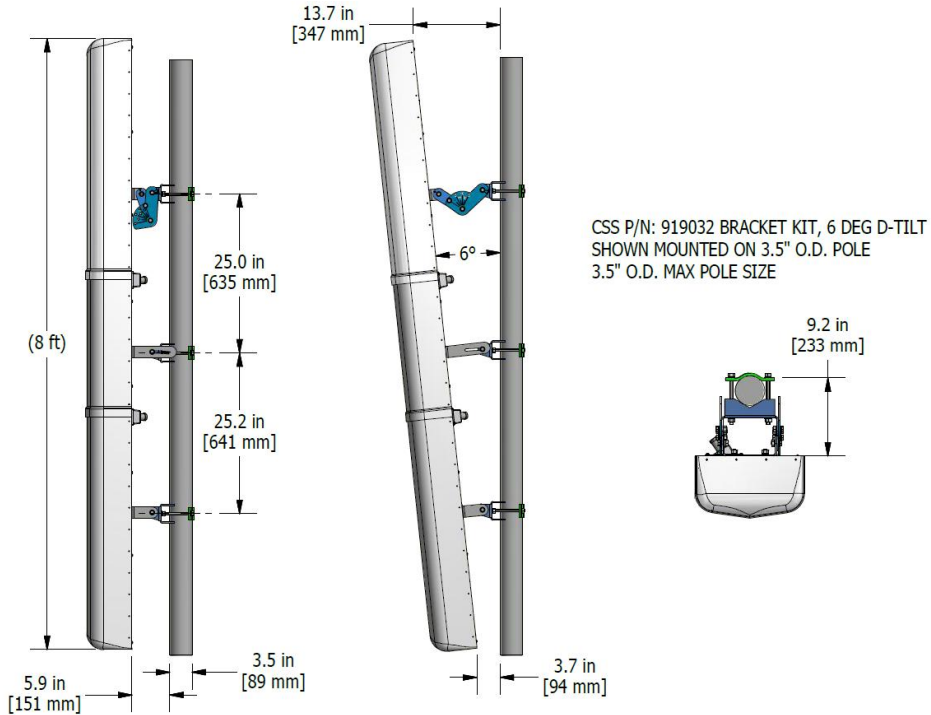
## ORDER INFORMATION

| MODEL           | DESCRIPTION  |
|-----------------|--|
| X7C-FRO-830-VR0 | Antenna with remote RET adjust electrical downtilt 0-6°          |
| X7C-FRO-830-VR4 | Antenna with remote RET adjust electrical downtilt 4-10°         |
| 919049          | Optional Bracket Kit, 3-Point, 6 degree D-tilt, For 4.5" OD Pole |

### Mechanical Outline Drawing: RET Version



### Standard Bracket Kit



### Optional Bracket Kit

