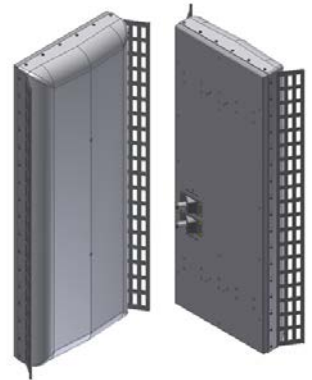


X7C-FRO-433

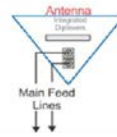
X-Pol, 698-896MHz, 50.5", Fast-Roll-Off 33° H-Beam

- Macro Cell Fixed Tilt Antenna
- Fast Roll Off (FRO)
- Suitable for LTE/CDMA/UMTS/GSM
- Optional Internal Diplexers



Available with Integrated Diplexers

Reduces mainline cables



ELECTRICAL SPECIFICATIONS

Frequency Band, MHz	698-800 MHz	800-896 MHz
Horizontal Beamwidth, 3dB points	33°	33°
Gain, dBi	17.4	18.0
Vertical Beamwidth, 3dB points	14.5°	14.5°
Front-to-Back at 180°, dB	>30 dB	>30 dB
Upper Sidelobe Suppression, Typical, dB	18	18
Polarization	+/-45°	
Electrical Downtilt	0°	
VSWR/Return Loss, dB, Maximum	1.45:1 / 14.7 dB	
VSWR/Return Loss, dB, Maximum with IP	1.50:1 / 14.0 dB	
Isolation Between Ports, dB, Minimum	28	
Intermodulation (2x20w), IM3, dBc	-150	
Impedance, ohms	50	
Maximum Power Per Connector, CW (w)	500	
Lightning Protection	DC Ground	

MECHANICAL SPECIFICATIONS

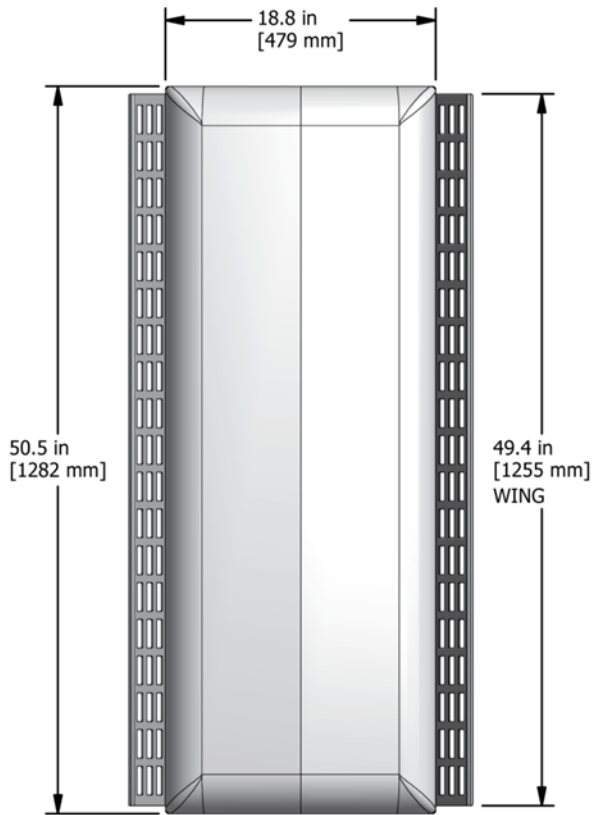
Dimensions, Length/Width/Depth	50.5 x 24 x 6.1 in (1282.7 x 608.6 x 154.94mm)
Connector (Quantity) Type	(2 or 4) 7-16 DIN Female
Connector Torque	220-265 lbf-in (23-30 N-m)
Connector Location	Back or Bottom
Antenna Weight	38 lbs
Bracket Weight	13.2 lb (6.0 kg)
Standard Bracket Kit	P/N 919011 (Included)
Mechanical Down tilt Range	0-12°
Radome Material	High Strength Luran, UV Stabilized, ASTM D1925
Wind Survival	209.3 mph (241 km/h)
Front Wind Load	248.8 lbf (931.1 N) @100mph
Equivalent Flat Plate	4.17 sq-ft (c=2) @ 100mph

ORDER INFORMATION

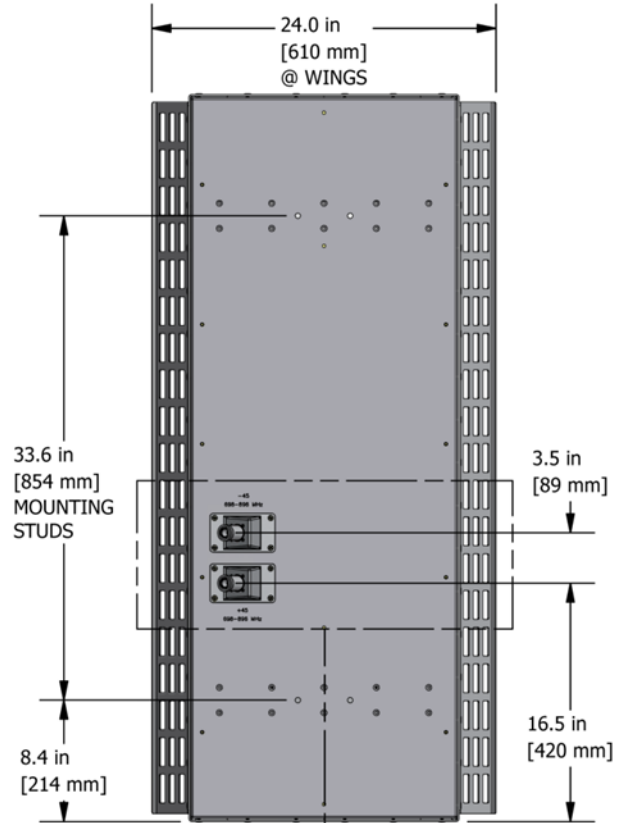
MODEL	DESCRIPTION
X7C-FRO-433	X-Pol antenna with two(2) back DIN connectors
X7C-FRO-433-IP	X-Pol antenna with four(4) back DIN connectors and integrated diplexers
X7C-FRO-433-B	X-Pol antenna with two(2) bottom DIN connectors
X7C-FRO-433-IP-B	X-Pol antenna with four(4) bottom DIN connectors and integrated diplexers
919036	Optional Bracket Kit, 2-Point, 12deg D-tilt, For 4.5" OD Pole

Mechanical Outline Drawing

X7C-FRO-433

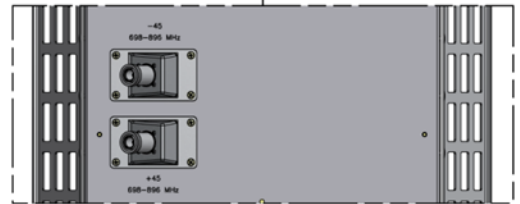
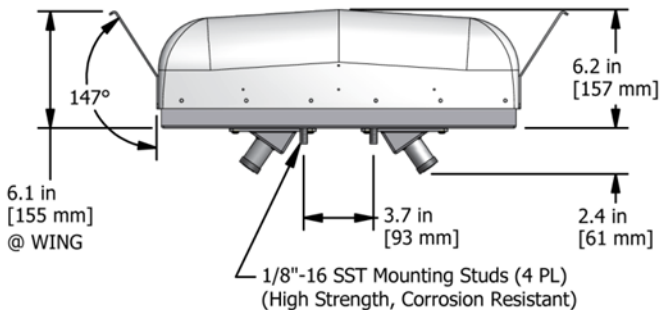


FRONT VIEW

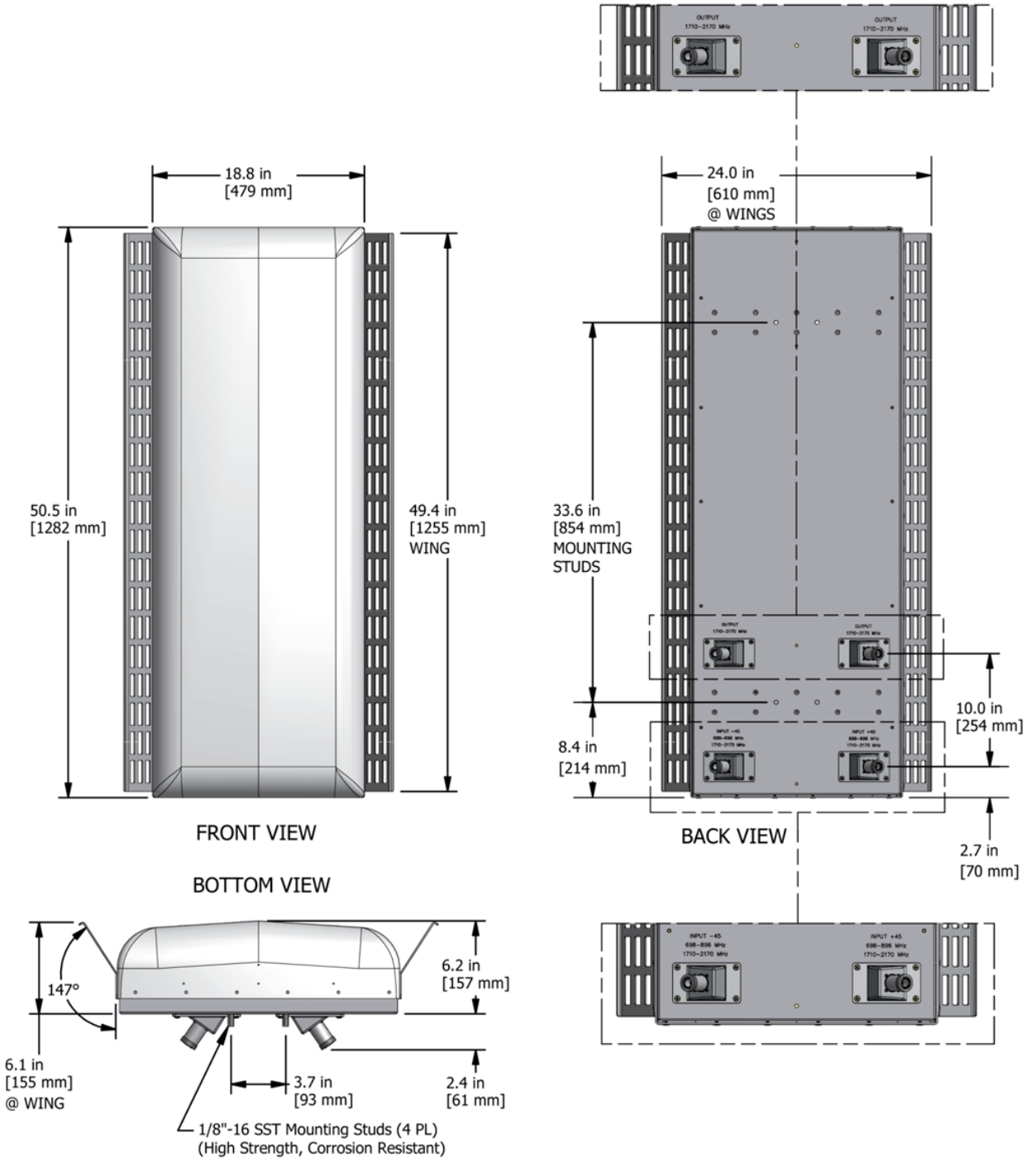


BACK VIEW

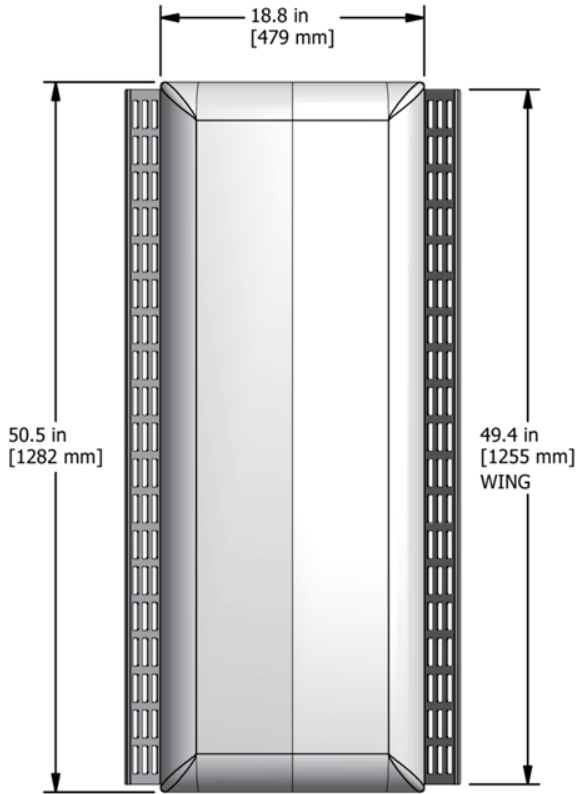
BOTTOM VIEW



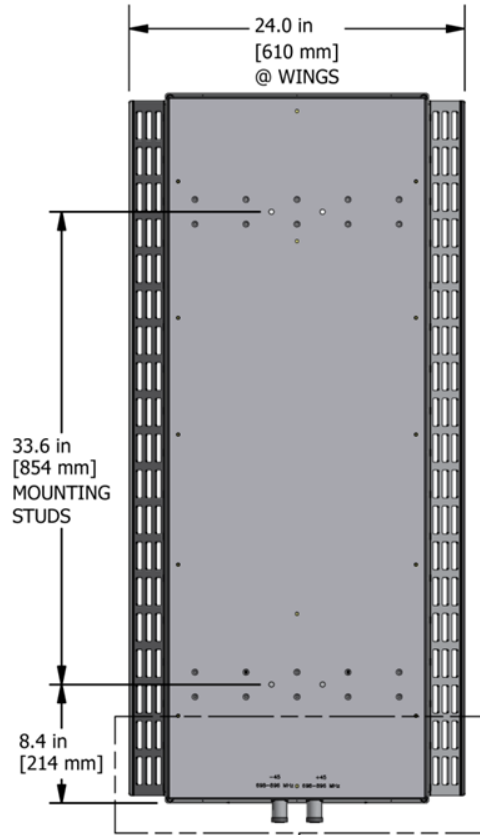
X7C-FRO-433-I



X7C-FRO-433-B

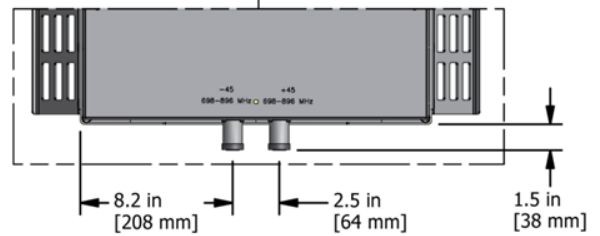
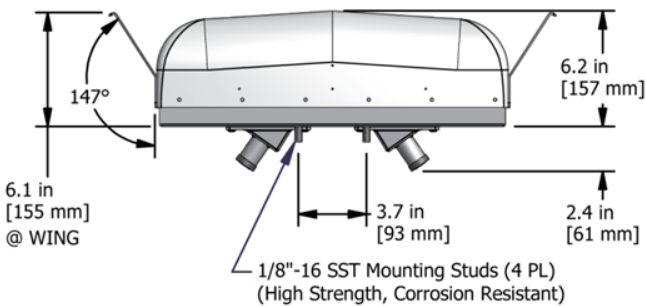


FRONT VIEW

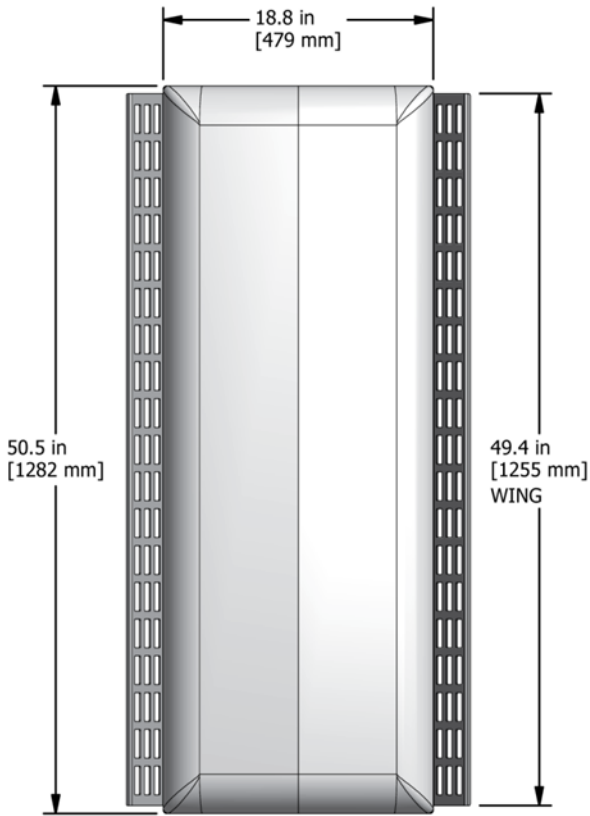


BACK VIEW

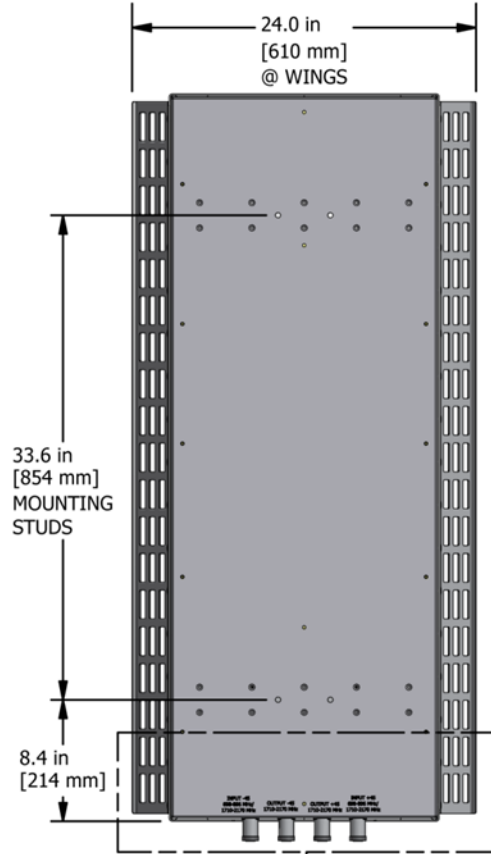
BOTTOM VIEW



X7C-FRO-433-I-B



FRONT VIEW



BACK VIEW

BOTTOM VIEW

