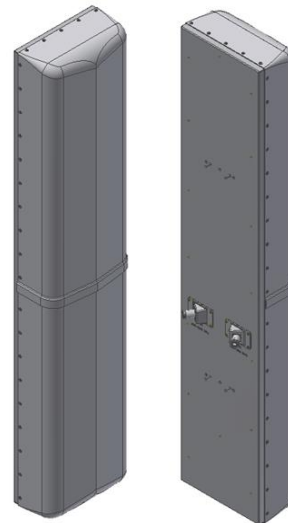


# X7C-665

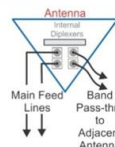
X-Pol Antenna, 698-896 MHz, (72.0", 65° H-Beam)

- Macro Cell High Gain Antenna
- Broadband Radiators
- Highly Reliable Fixed Tilt Design
- Suitable for LTE/CDMA/UMTS/GSM
- Mechanical Tilt Bracket Included



**Available with Integrated Diplexers**

- Reduces mainline cables
- Eliminates External Tower Devices
- Supports high band TMAs



ELECTRICAL SPECIFICATIONS		
Frequency Band, MHz	698-824	824-896
Horizontal Beam Width, 3dB points	65°	
Gain, dBi	15.6	16.4
Vertical Beam Width, 3dB points	10°	
Front-to-Back at 180°, dB	>28	
Upper Side Lobe Suppression, Typical, dB	<-18	
Polarization	+/-45°	
Electrical Down Tilt, Fixed	0, 2, 4, 6, 8, 10°	
VSWR/Return Loss, dB, Maximum (Non-IP)	1.4:1-15.6	
VSWR/Return Loss, dB, Maximum (With-IP)	1.5:1-14.0	
Return Loss, dB Maximum, Pass Thru	-17.7	
Isolation Between Ports, dB, Minimum	27	
Intermodulation (2x20w), IM3, dBc, Maximum	-150	
Impedance, ohms	50	
Maximum Power Per Connector, CW	500 @ 800 MHz	

## MECHANICAL SPECIFICATIONS

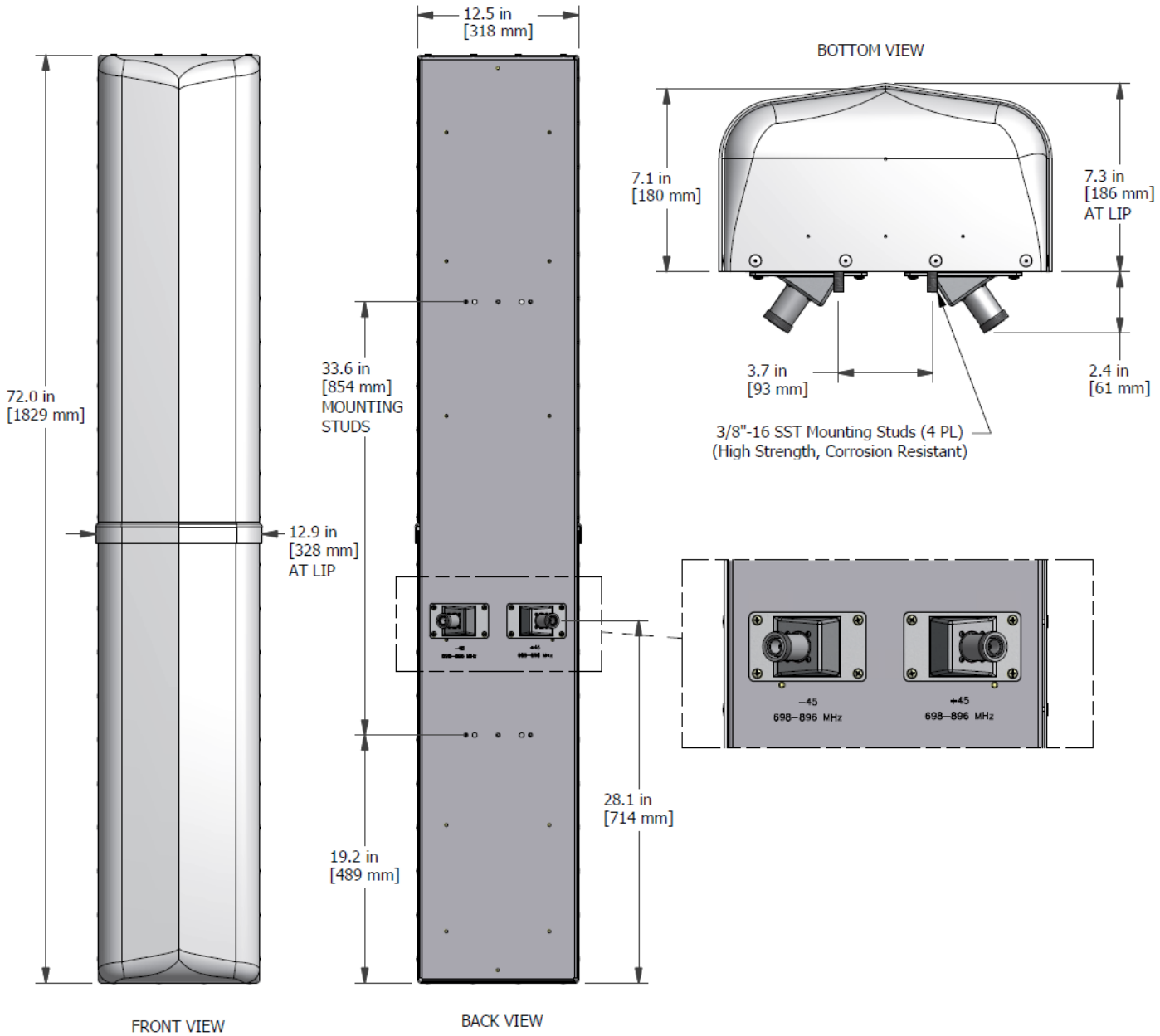
Dimensions, Length/Width/Depth	72.0/12.5/7.1 in. (1829/318/180mm)
Connector (Quantity)	(2 or 4) 7-16 DIN Female
Connector Torque	220-265 lbf-in (23-30 N-m)
Connector Location	Back or Bottom
Antenna Weight	30.0 lbs (13.6 kg) <i>Note: Weight varies slightly based on ordering options</i>
Bracket Weight	13.2 lb. (6.0 kg)
Standard Bracket Kit	CSS P/N 919011 ( Included )
Mechanical Down Tilt Range	0-12°
Radome Material	High Strength Luran, UV Stabilized, ASTM D1925
Wind Survival	150 mph (241 km/h)
Front Wind Load	181.2 lbf (806.0 N) @100mph
Equivalent Flat Plate	3.61 sq-ft (c=2) @ 100mph

## ORDER INFORMATION

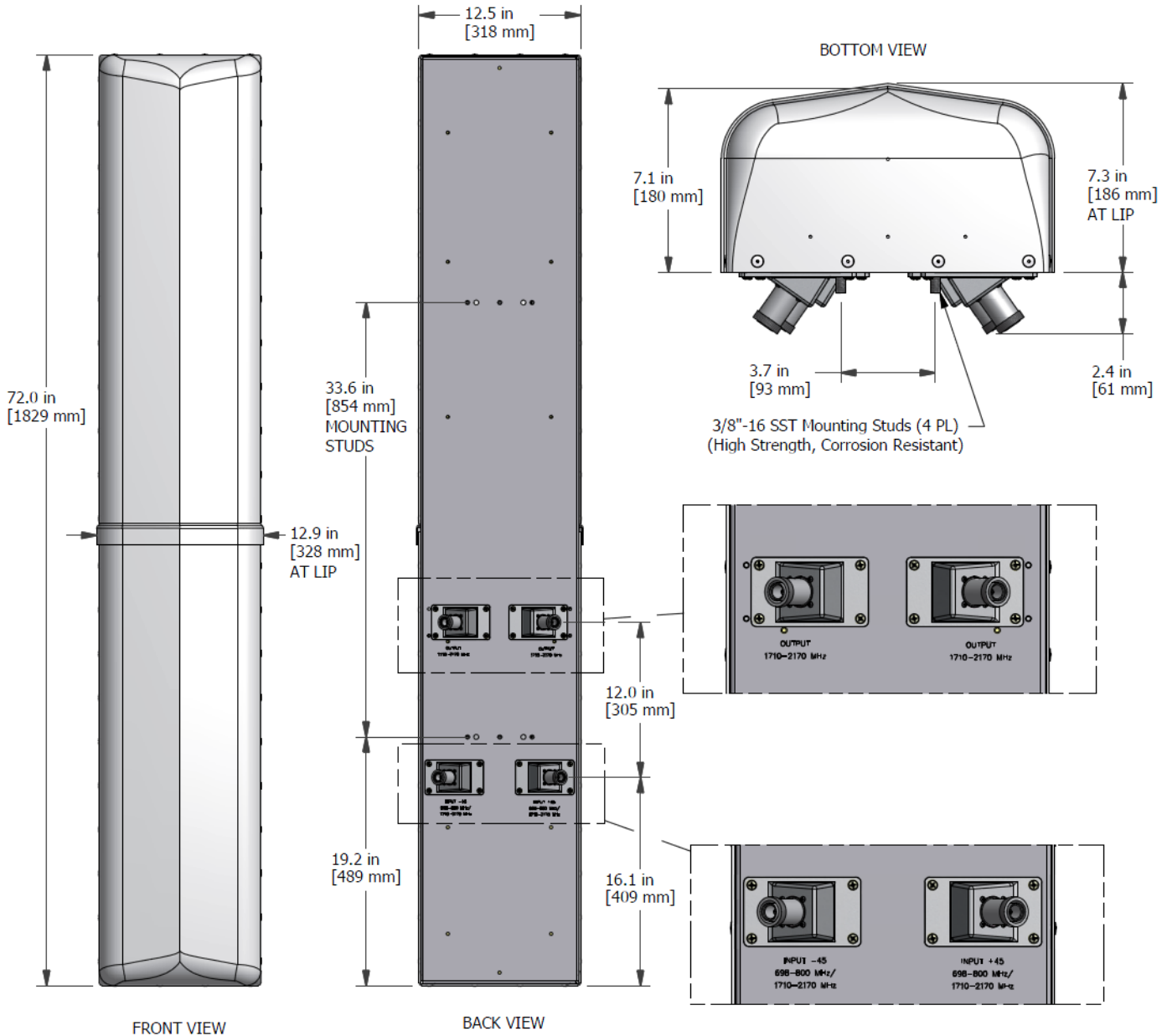
MODEL	DESCRIPTION
X7C-665- <b>x</b>	X-Pol antenna with two back DIN connectors
X7C-665- <b>x</b> -IP	X-Pol antenna with four back DIN connectors with integrated pass thru diplexers
X7C-665- <b>x</b> -B	X-Pol antenna with two bottom DIN connectors
X7C-665- <b>x</b> -IP-B	X-Pol antenna with four bottom DIN connectors with integrated pass thru diplexers
919036	Optional Bracket Kit, 2-Point, 12deg D-tilt, For 4.5" OD Pole

**x** defines the electrical tilt

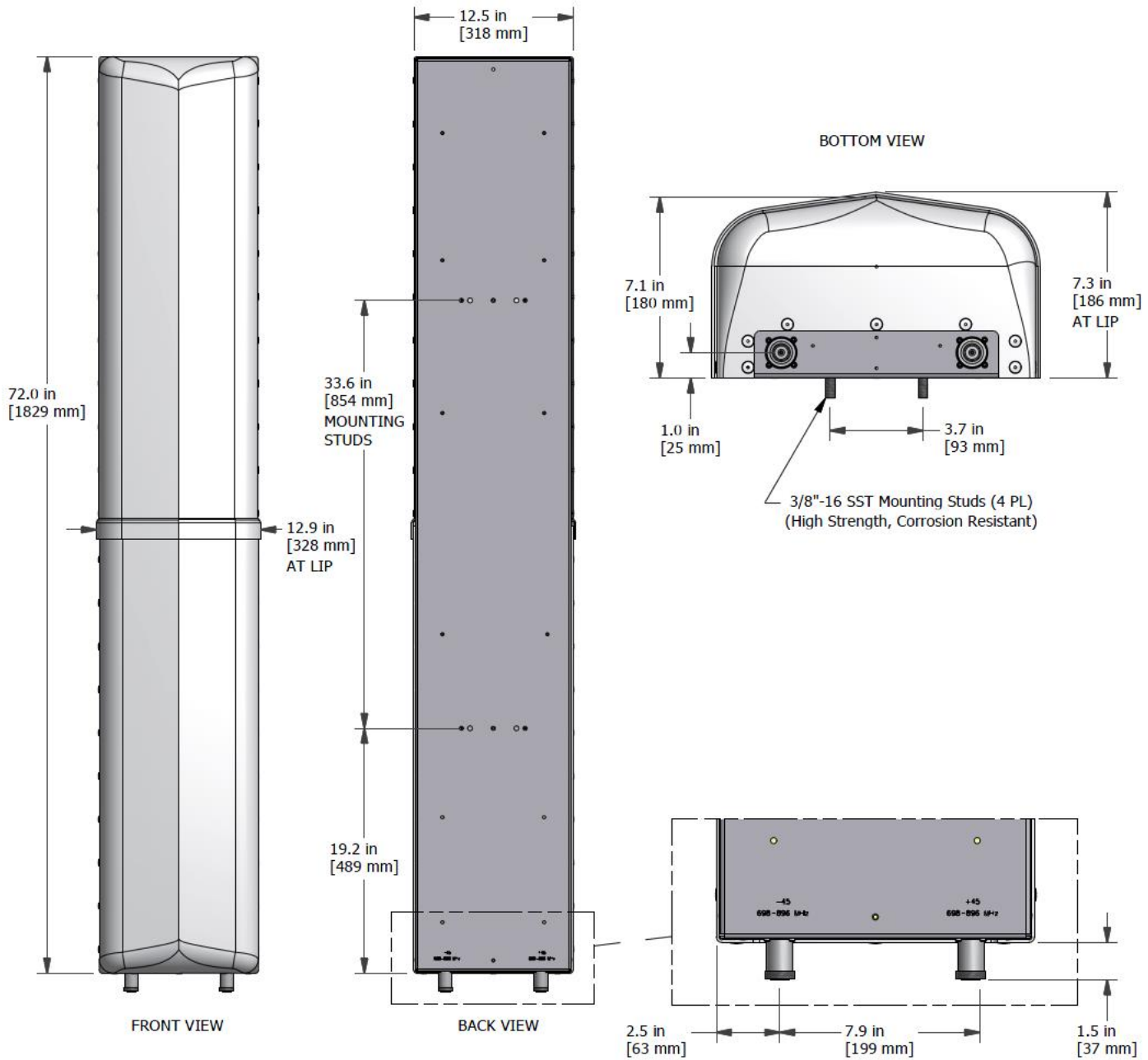
**Mechanical Outline Drawing: X7C-665-x**



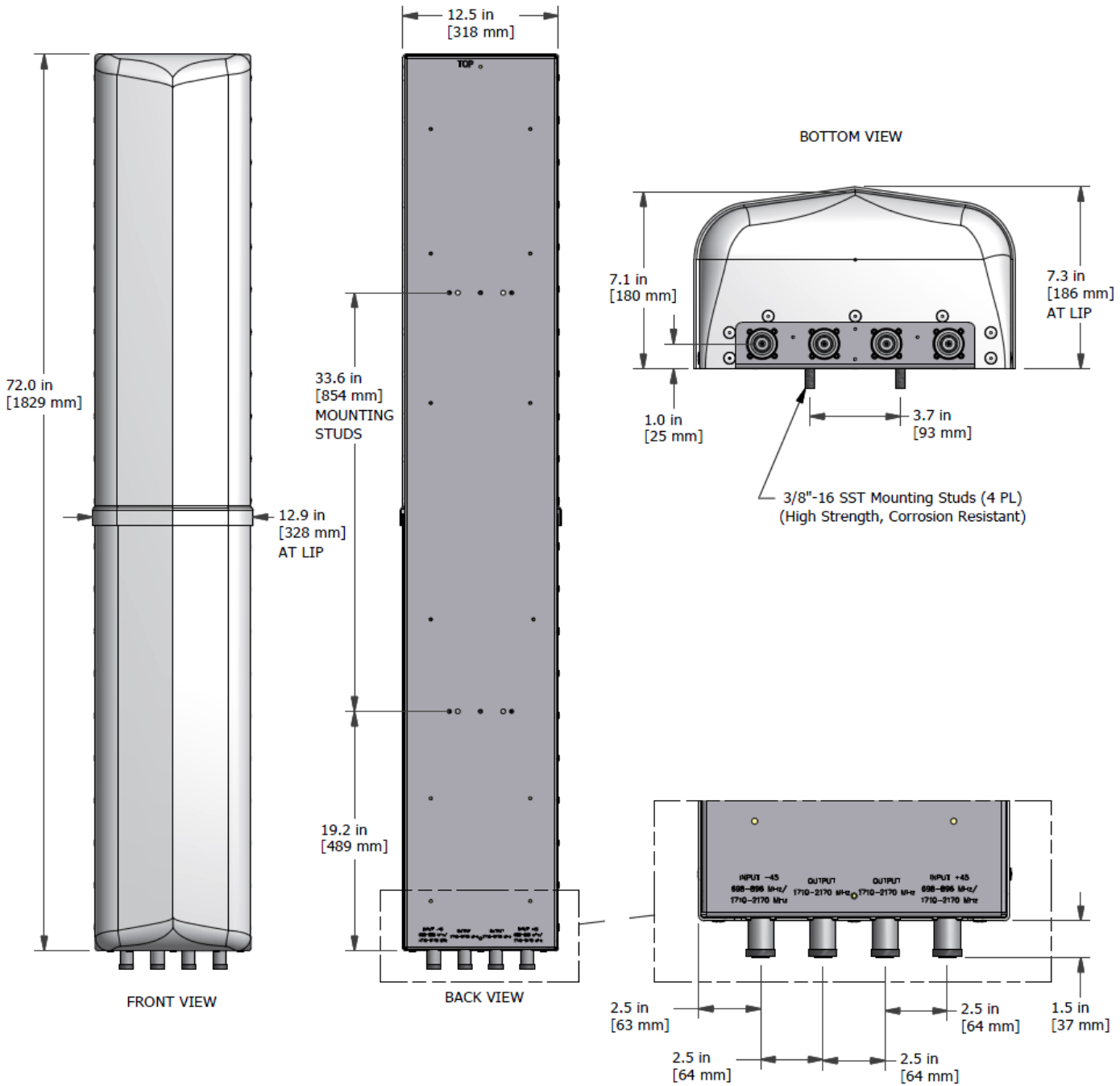
### Mechanical Outline Drawing: X7C-665-x-IP



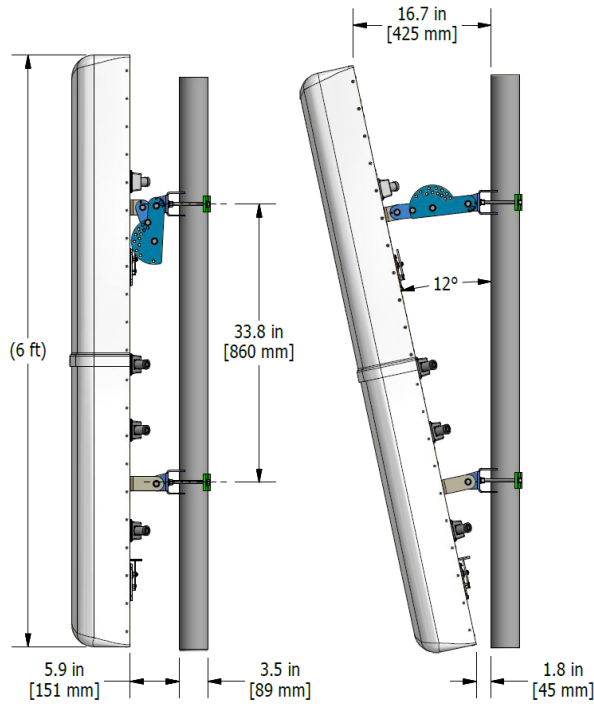
### Mechanical Outline Drawing: X7C-665-x-B



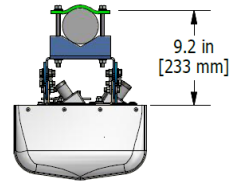
### Mechanical Outline Drawing: X7C-665-x-IP-B



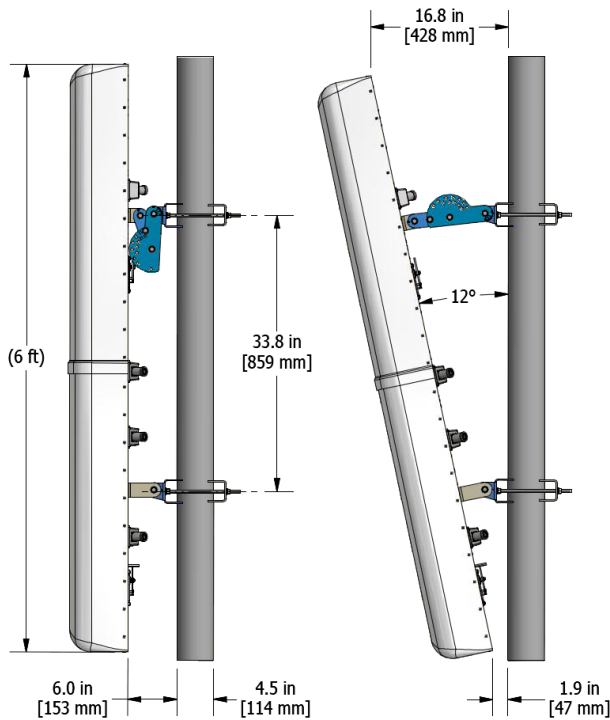
### Standard Bracket Kit



CSS P/N: 919011 BRACKET KIT  
 2 POINT, 12 DEGREE DOWN TILT  
 SHOWN MOUNTED ON 3.5" O.D. POLE  
 3.5" O.D. MAX POLE SIZE



### Optional Bracket Kit



CSS P/N: 919036 BRACKET KIT  
 2 POINT, 12 DEGREE DOWN TILT  
 SHOWN MOUNTED ON 4.5" O.D. POLE  
 4.5" O.D. MAX POLE SIZE

