

X7C-465

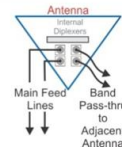
X-Pol Antenna, 698-896 MHz, (50.5", 65° H-Beam)

- Macro Cell High Gain Antenna
- Broadband Radiators
- Highly Reliable Fixed Tilt Design
- Suitable for LTE/CDMA/UMTS/GSM
- Mechanical Tilt Bracket Included



Available with Integrated Diplexers

- Reduces mainline cables
- Eliminates External Tower Devices
- Supports high band TMAs



ELECTRICAL SPECIFICATIONS		
Frequency Band, MHz	698-824	824-896
Horizontal Beam Width, 3dB points	68°	63°
Gain, dBi, (Average)	14.4	14.4
Vertical Beam Width, 3dB points	16.2°	13.8°
Front-to-Back at 180°, dB	>28	
Upper Side Lobe Suppression, dB (Typical)	<-18	
Polarization	+/-45°	
Electrical Down Tilt, Fixed	0, 2, 4, 6, 8, 10°	
VSWR/Return Loss, dB (Maximum)	1.5:1-14.0	
Return Loss, dB Maximum, Pass Thru	-17.7	
Isolation Between Ports, dB (Minimum)	27	
Intermodulation (2x20w), IM3, dBc (Maximum)	-150	
Impedance, ohms	50	
Maximum Power Per Connector, CW	500 @ 800 MHz	

MECHANICAL SPECIFICATIONS

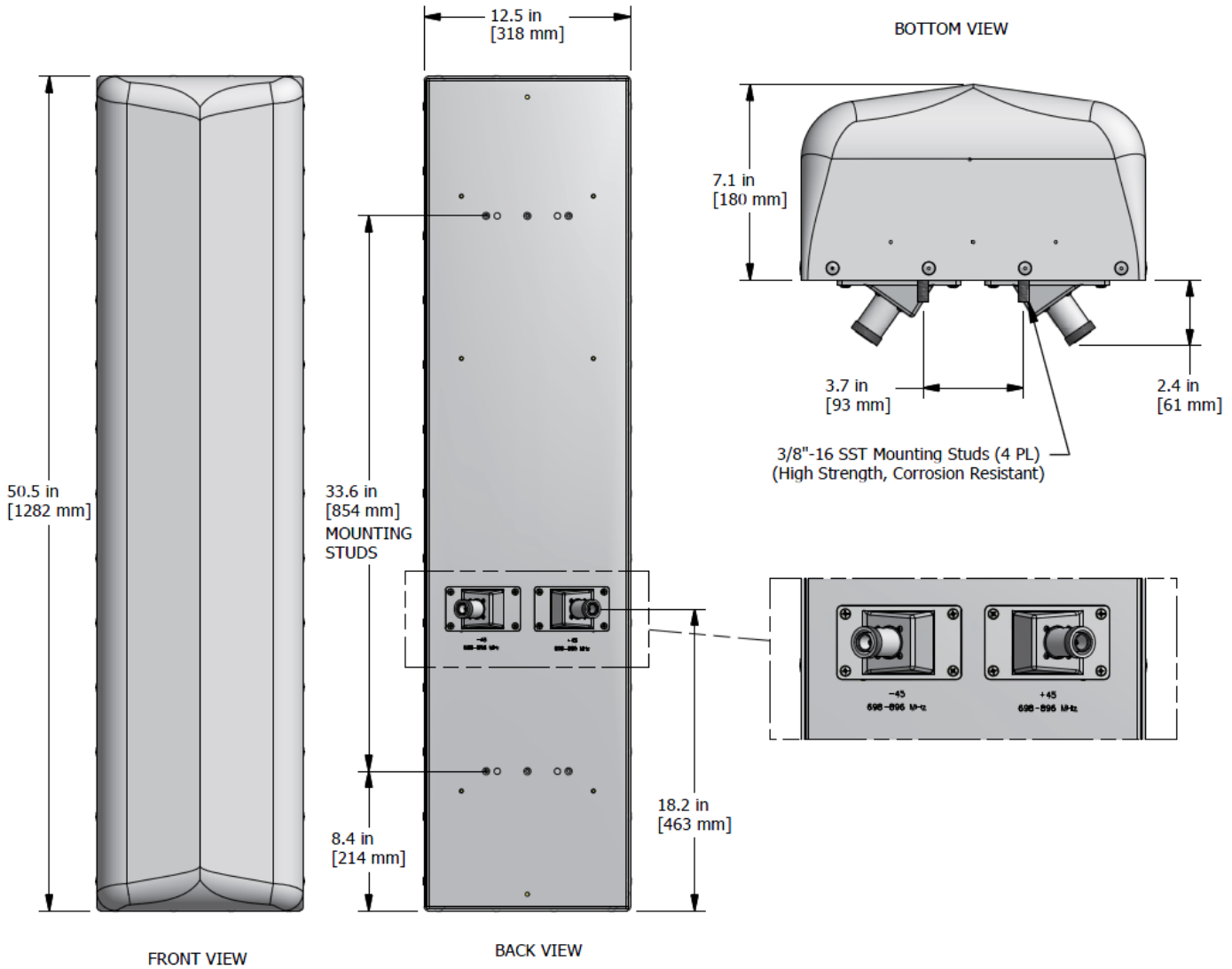
Dimensions, Length/Width/Depth	50.5/12.5/7.1 in. (1282/318/180mm)
Connector (Quantity)	(2 or 4) 7-16 DIN Female
Connector Torque	220-265 lbf-in (23-30 N-m)
Connector Location	Back or Bottom
Antenna Weight	19.2 lbs (8.7 kg) <i>Note: Weight varies slightly based on ordering options</i>
Bracket Weight	13.2 lb. (6.0 kg)
Standard Bracket Kit	CSS P/N 919011 (Included)
Mechanical Down Tilt Range	0-12°
Radome Material	High Strength Luran, UV Stabilized, ASTM D1925
Wind Survival	150 mph (241 km/h)
Front Wind Load	127.1 lbf (565.3 N) @100mph
Equivalent Flat Plate	2.53 sq-ft (c=2) @ 100mph

ORDER INFORMATION

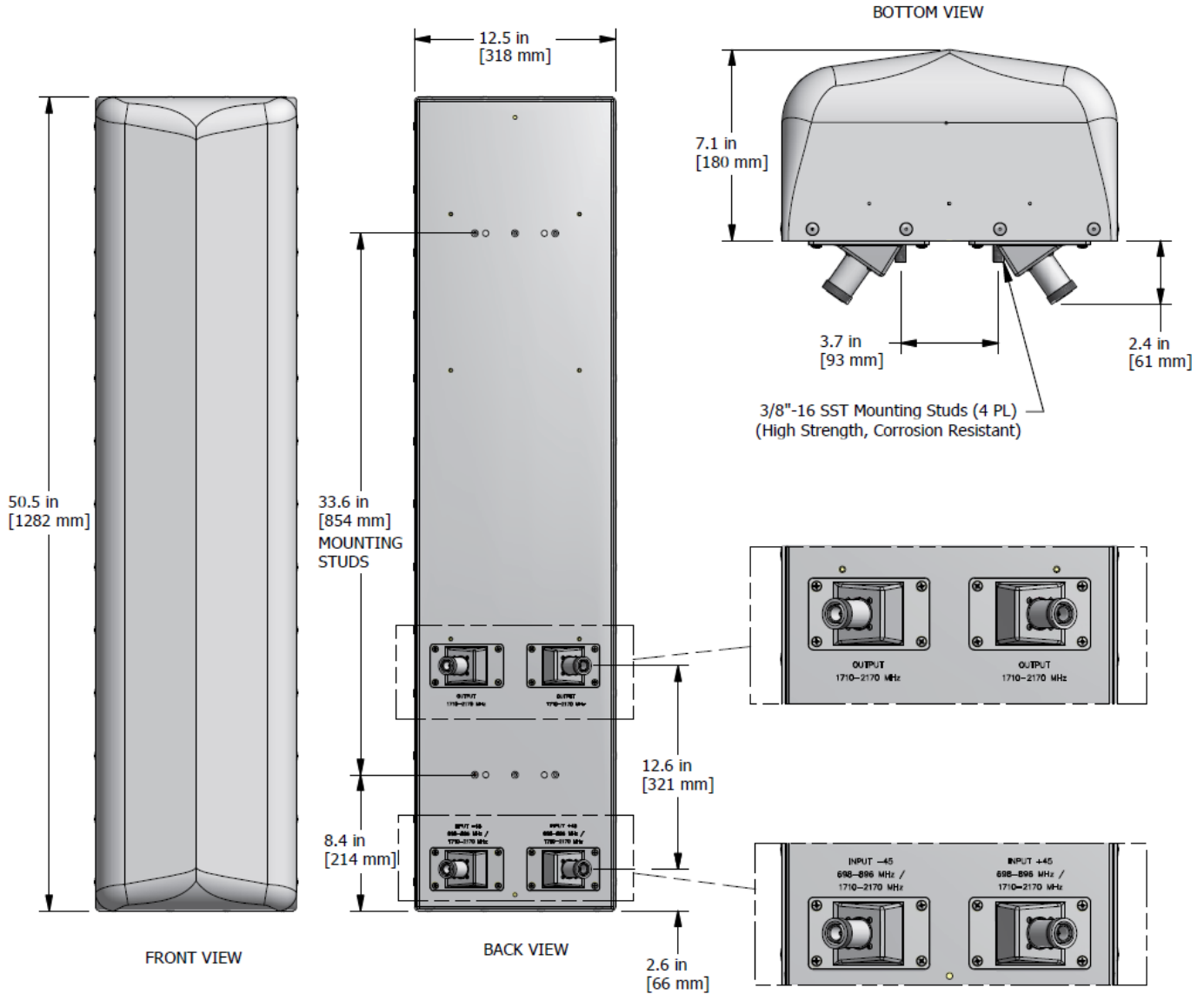
MODEL	DESCRIPTION
X7C-465- x	X-Pol antenna with two back DIN connectors
X7C-465- x -IP	X-Pol antenna with four back DIN connectors with integrated pass thru diplexers
X7C-465- x -B	X-Pol antenna with two bottom DIN connectors
X7C-465- x -IP-B	X-Pol antenna with four bottom DIN connectors with integrated pass thru diplexers
919036	Optional Bracket Kit, 2-Point, 12deg D-tilt, For 4.5" OD Pole

x defines the electrical tilt

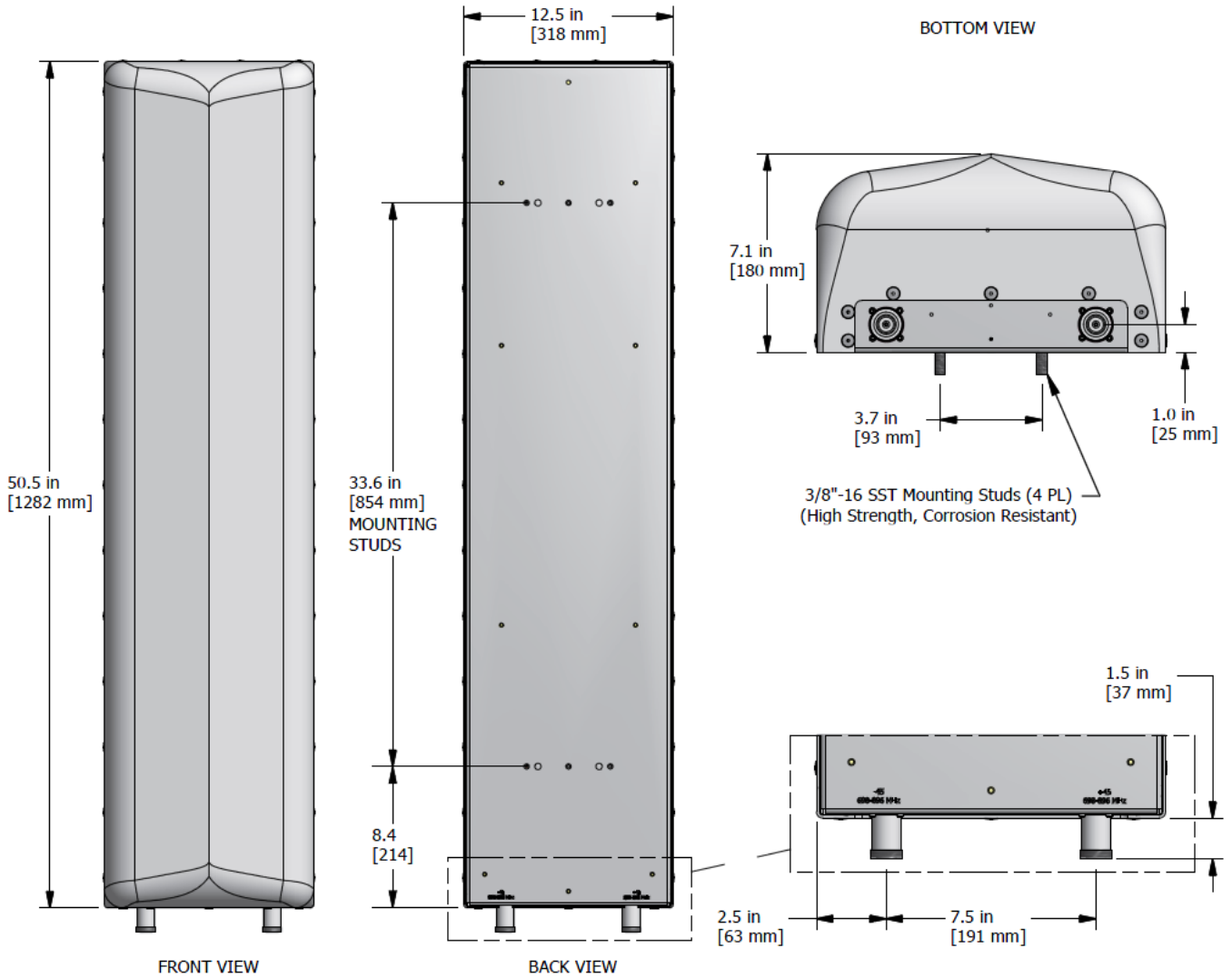
Mechanical Outline Drawing: X7C-465-x



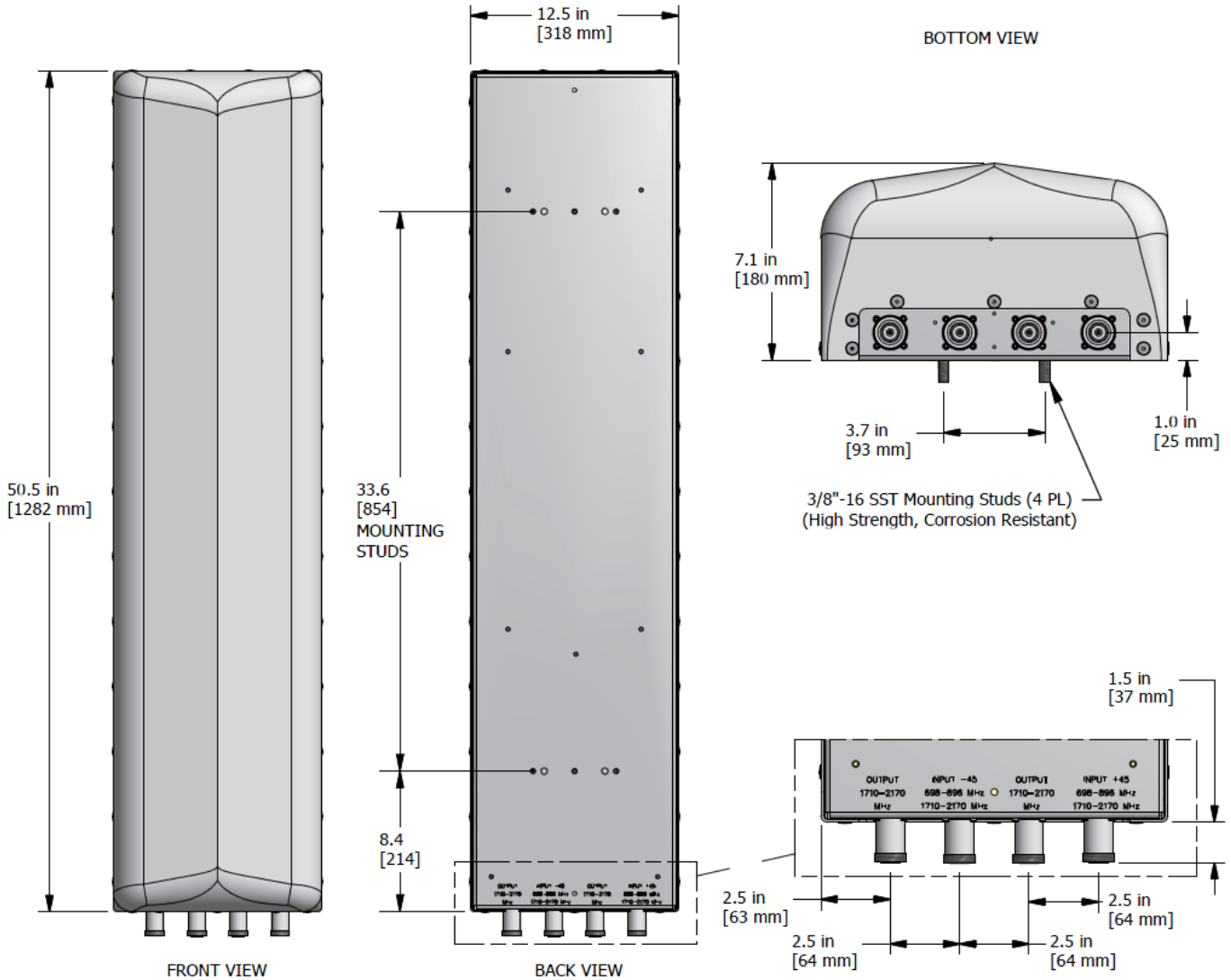
Mechanical Outline Drawing: X7C-465-x-IP



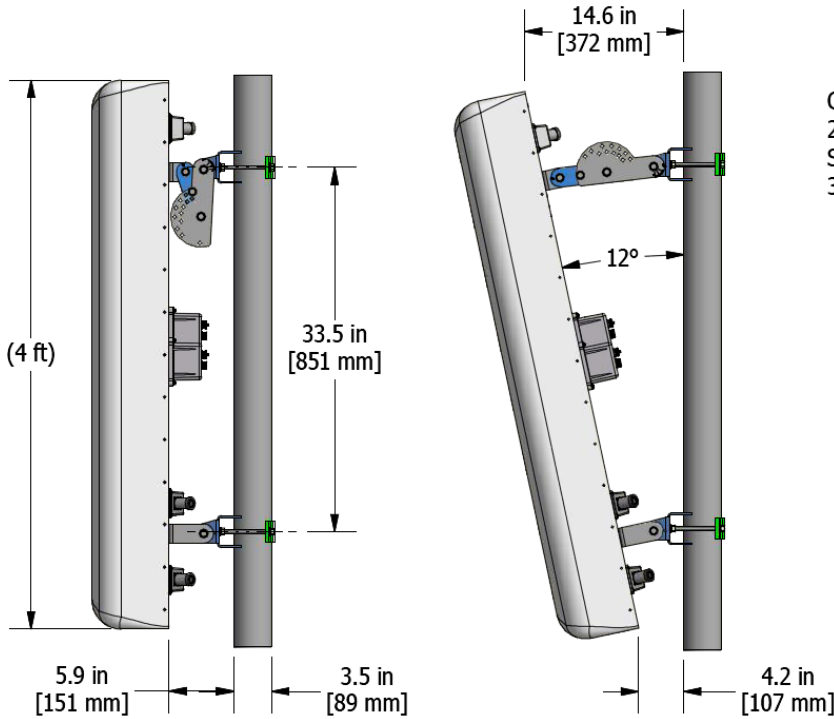
Mechanical Outline Drawing: X7C-465-x-B



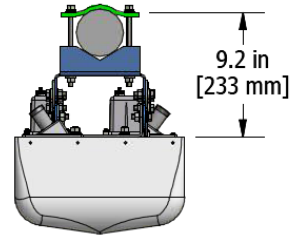
Mechanical Outline Drawing: X7C-465-x-IP-B



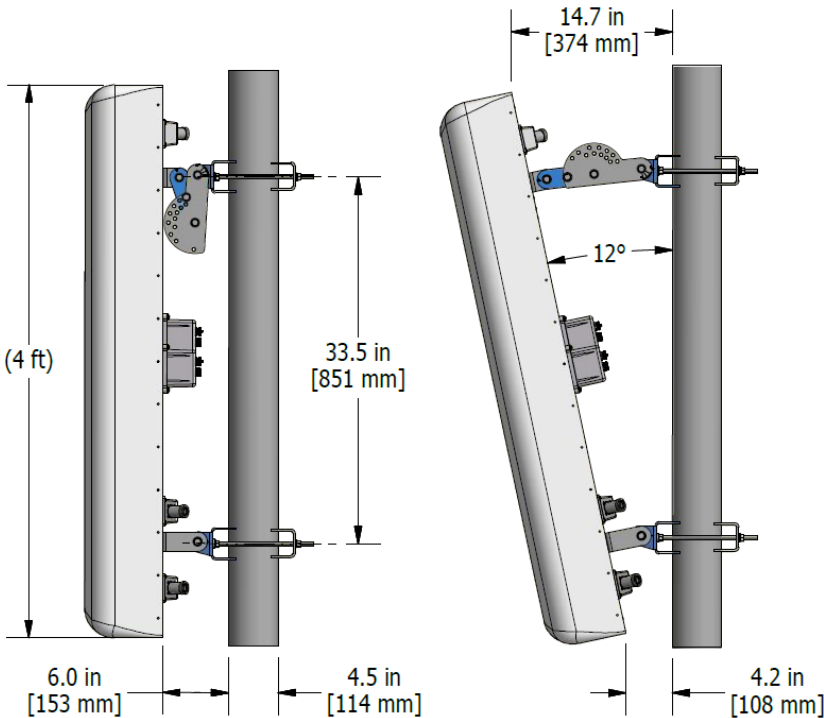
Standard Bracket Kit



CSS P/N: 919011 BRACKET KIT
 2 POINT, 12 DEGREE DOWN TILT
 SHOWN MOUNTED ON 3.5" O.D. POLE
 3.5" O.D. MAX POLE SIZE



Optional Bracket Kit



CSS P/N: 919036 BRACKET KIT
 2 POINT, 12 DEGREE DOWN TILT
 SHOWN MOUNTED ON 4.5" O.D. POLE
 4.5" O.D. MAX POLE SIZE

