

Rev.	Description	EC number
01	Initial release	72577
02	Optimized for 8' fit	72765
03	Format change	72881
04	Add notation for 40° and 65° antennas	74490 ECR00273
05	Clarifying instructions	74932 ECR00519
06	Update logos and HQ address	ECO-00407 ECR02611
07	Removed references to internal part numbers.	

# Dual Mount Bracket

Instructions for Four-, Six-,  
and Eight-foot Antennas

P/N 91900314



JMA Wireless World  
Headquarters

140 Cortland Avenue  
Syracuse, NY 13202  
USA

[www.jmawireless.com](http://www.jmawireless.com)  
+1 888-201-6073

# Dual Mount Bracket

Instructions for Four-, Six-, and Eight-foot Antennas



**This is the installation guide for the Dual Mount Bracket, P/N 91900314. Pages 4-9 correspond to the X7C\*/C7C\* antennas. Pages 10-13 correspond to the MX/MC antennas.**

Item #	Description	Qty. in kit
<b>A</b>	3/8" bolt, HDG	12
<b>B</b>	Threaded rod	2
<b>C</b>	3/8" hex nut, galv.	18
<b>D</b>	3/8" flat washer, HDG	30
<b>E</b>	3/8" lock washer, HDG	16
<b>F</b>	Common dual mount bracket	1
<b>G</b>	Back grip bracket	1
<b>H</b>	X7C*/C7C* adapter	2
<b>I</b>	Center link bracket	4
<b>J</b>	Mounting bracket	1*
<b>K</b>	MX/MC adapter	2

**Note:** Not all parts in the kit are required for every installation type.

\* For full assembly of two antennas, a total quantity of (2) of this part will be required. As noted above, this kit contains (1) of this part and the other (1) will be found in the second bracket kit, to complete the set of (2).

Key	
	Used for X7C/C7C model installs only
	Used for MX/MC model installs only

Spacing options between dual antennas	
<b>X7C/C7C* models</b>	2 of same antennas locked at 2" spacing
	Example: (2) X7CQAP-FRO-645-V can be locked at 2" of spacing
<b>MX/MC* models</b>	2 of same antennas locked at either 2" or 12" spacing
	Example: (2) MX08FRO660-02 can be locked at 2" or 12" spacing
*Compatible antennas	
4'-8' Quad-, Hex-, and Octo-Port macro antennas in the X7C, C7C, X7CAP, C7CAP, X7CQAP, C7CQAP. MX/MC ranges: check with JMA Wireless customer service for exact fit.	

Other key details:
<ul style="list-style-type: none"> <li>X7C/C7C and MX/MC antennas each have their own installation instructions in the following pages, identified in the header.</li> <li>The bracket was designed to handle pole diameters ranging from 2.5 to 4.5 inches.</li> <li>When tightening all hardware, use the torque setting 20 lb-ft.</li> <li>Dual mount specified for (2) identical antennas.</li> <li>Repeat the following steps for all mounting points on the antenna.</li> <li>9/16" and 11/16" socket or open-end wrenches are required to install the bracket.</li> </ul>

# Dual Mount Bracket - X7C/C7C Antennas

Instructions for Four-, Six-, and Eight-foot Antennas



## Instructions for the X7C/C7C models.

The following installation instructions apply to the X7C\*/C7C\* antennas. Pages 10-13 correspond to the MX/MC antennas.

### Step A: Attach adapters to corresponding holes on dual mount bracket based on the chosen antenna

1. Attach dual mount adapters H to bracket F, using Table 1, Figures 1 and 2, and the following 3/8" hardware: A, C, D, and E. H and accompanying hardware replaces pre-existing antenna mounting bracket.

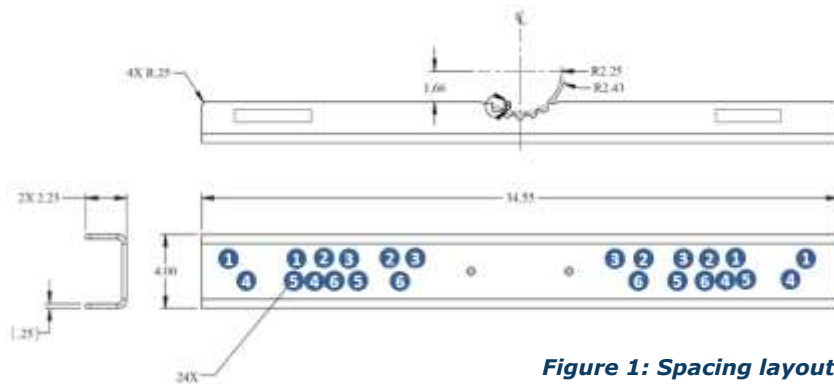


Figure 1: Spacing layout

Model types beginning with:	Antenna width	Corresponding hole position	Resulting spacing between antennas
X7C*, C7C*	12.5"	3	2"
	24.0"	4	2"
	18.8"	5	2"
	14.6"	6	2"

Table 1: Spacing table

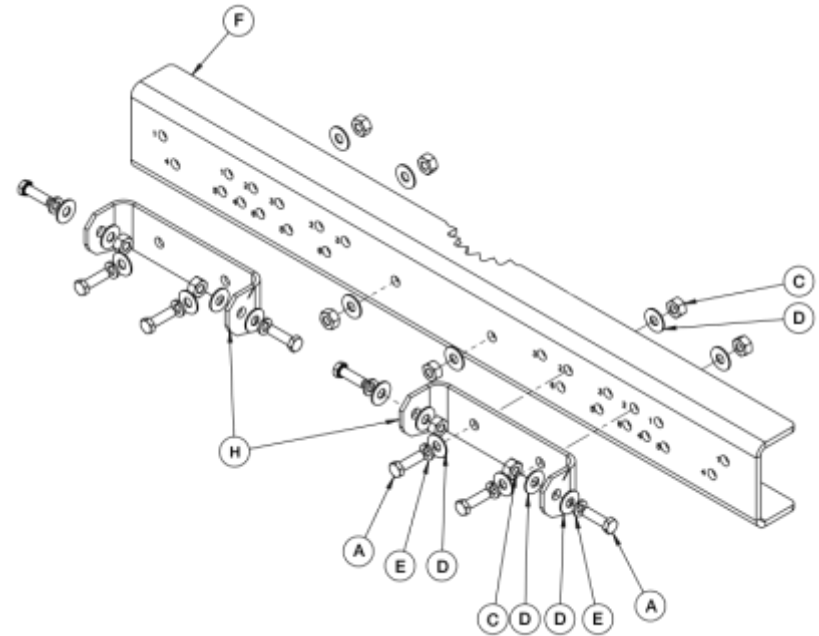


Figure 2: Attaching adapters to bracket and antenna

#### Note:

Replace all pre-existing antenna bracket mounting hardware with Dual Mount kit.

The cabling solution suggests the following best practices for field installation:

- If possible, pre-bend cables to fit around the pole before installation.
- Top and middle plank of dual mount bracket can be installed at max. tilt to create as much clearance between antenna and pole as possible during cabling.

# Dual Mount Bracket - X7C/C7C Antennas

Instructions for Four-, Six-, and Eight-foot Antennas



## Instructions for the X7C/C7C models.

### Step B: Attach dual mount to pole

1. Connect dual mount bracket F and back grip G, using threaded rods B, and the 3/8" hardware provided: C, D, and E. See Figure 3.
2. Make sure that the threaded rods are flush with the nuts on the face of the dual mount bracket. Only tighten them loosely, and do the same for all three brackets on the pole.

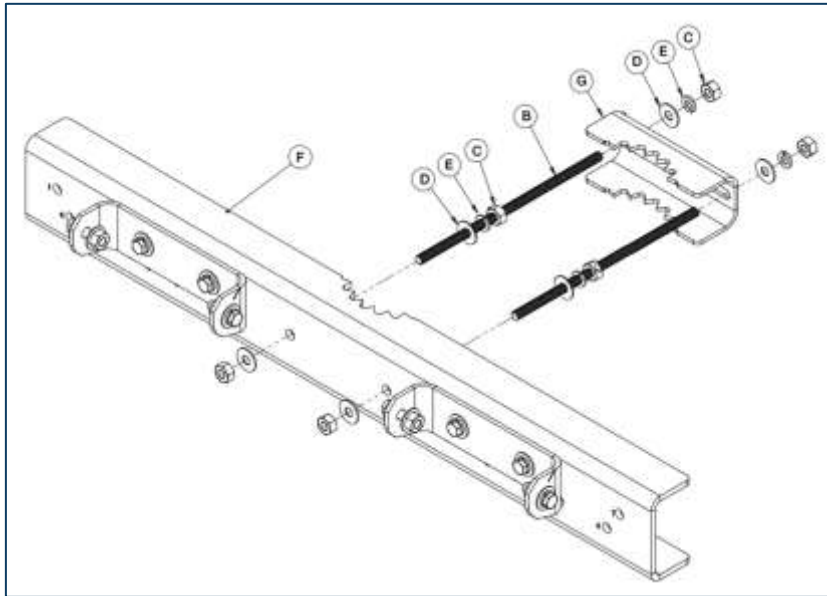


Figure 3: Connecting the bracket and the back grip

3. Measure the distances separating the brackets. See Figure 4 and Table 2.
4. Tighten and secure mounting brackets.

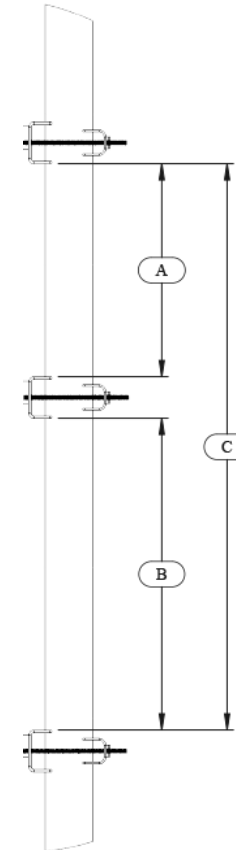


Figure 4: Bracket heights for X7C/C7C

	8' antennas	6' antennas	4' antennas
<b>A</b>	20.5"	N/A	N/A
<b>B</b>	21.0"	N/A	N/A
<b>C</b>	N/A	63.75"	42.75"

Table 2: Bracket height key

# Dual Mount Bracket - X7C/C7C Antennas

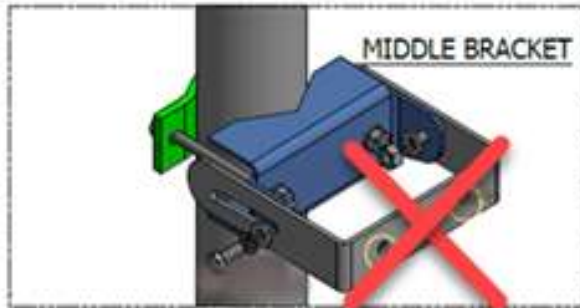
Instructions for Four-, Six-, and Eight-foot Antennas



## Instructions for the X7C/C7C models.

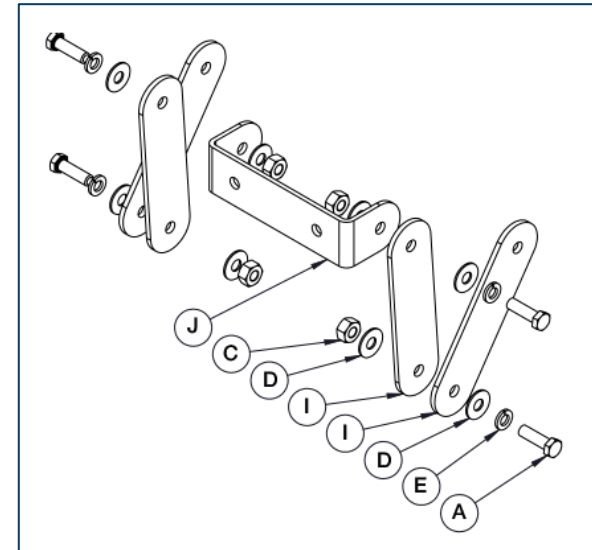
### Step C: Attaching the antenna

1. Note: The middle bracket that comes with the standard 8' single mount kit is not compatible with the dual mount kit. Follow the steps to ensure the correct fit. (Does not apply for 4' and 6' X7C/C7C antennas)
2. If antenna is already mounted, remove the existing middle bracket from the antenna and replace with mounting bracket J. See *Figures 5* and *6*.
3. Refer to 919032 bracket kit (P/N 819032-AD) to use existing top bracket and bottom bracket for mounting. Follow those instructions. If you no longer have physical copies, please download from the JMA Wireless website.
4. Disregard middle bracket kit 919032. See *Figure 5*.
5. In its place, for center mounting, use center link brackets I. Assemble using the following 3/8" hardware: A, C, D, and E. See *Figure 6*.

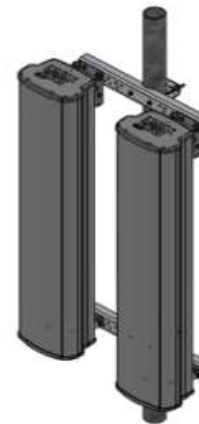


**Figure 5: Original middle bracket**

8



**Figure 6: X7C/C7C middle bracket**



**Figure 7: Visual representation of two antennas mounted side by side. (Some models would have a third bracket.)**

9

# Dual Mount Bracket - MX/MC Antennas

Instructions for Four-, Six-, and Eight-foot Antennas



## Instructions for the MX/MC models.

The following installation instructions apply to the MX/MC antennas. Pages 4-9 correspond to the X7C/C7C antennas.

### Step A: Attach adapters to corresponding holes on dual mount bracket based on the chosen antenna

1. Attach dual mount adapters K to bracket F, using *Table 3, Figures 8 and 9*, and the following 3/8" hardware: A, C, D, and E. K and accompanying hardware replace pre-existing antenna mounting bracket.

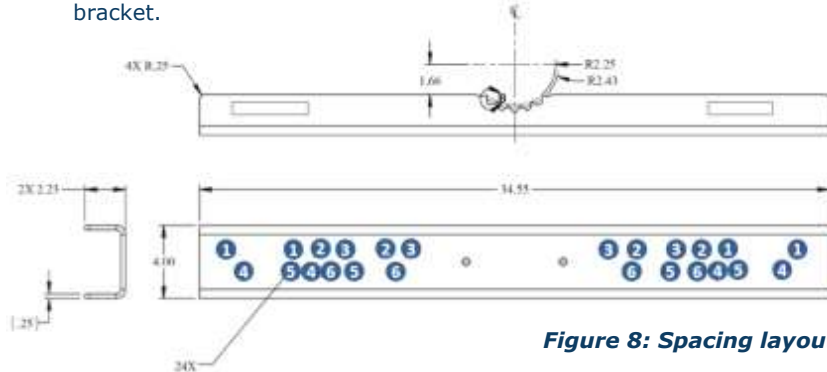


Figure 8: Spacing layout

Model types beginning with:	Antenna width	Corresponding hole position	Resulting spacing between antennas
MX/MC	15.4" (wide spacing)	1	12"
	15.4" (narrow spacing)	2	2"
	12"	3	2"
	20"	5	3/4"

Table 3: Spacing table

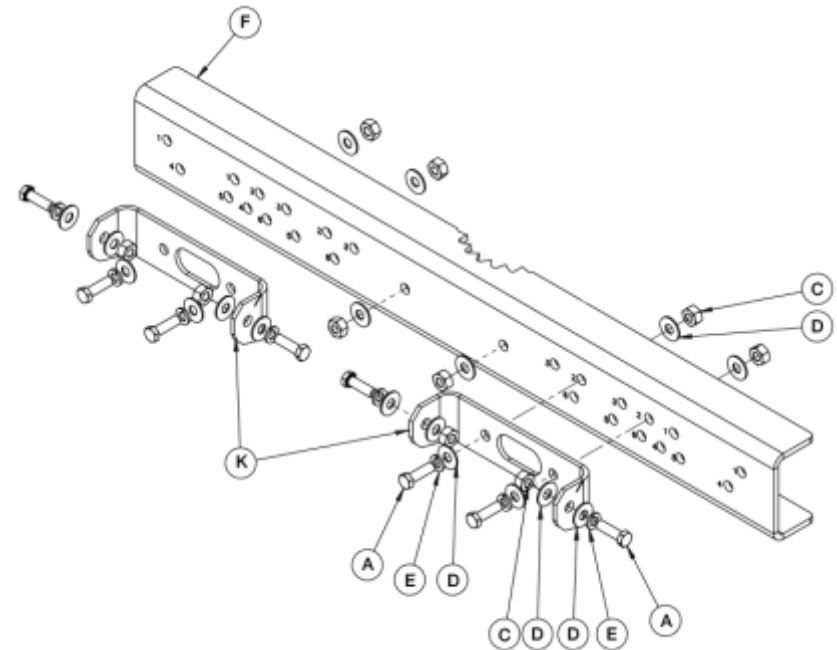


Figure 9: Attaching adapters to bracket and antenna

#### Note:

Replace all pre-existing antenna bracket mounting hardware with Dual Mount kit.

# Dual Mount Bracket - MX/MC Antennas

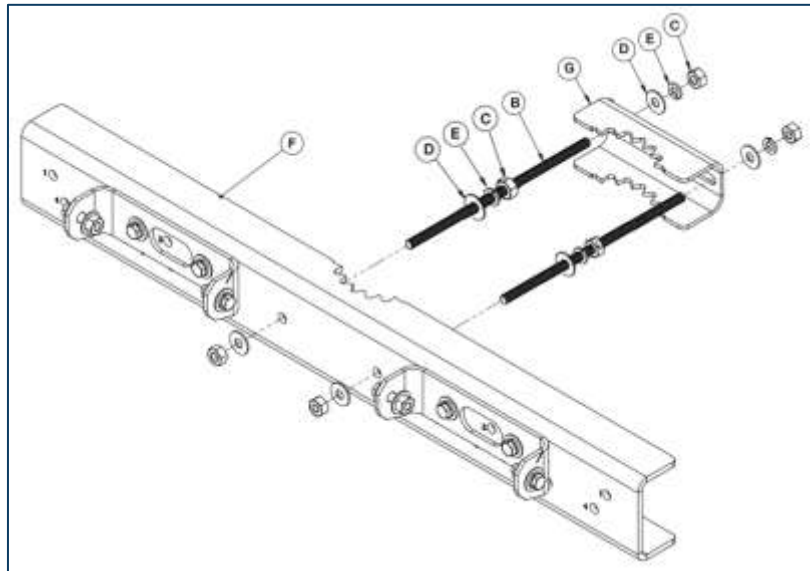
Instructions for Four-, Six-, and Eight-foot Antennas



**Instructions for the MX/MC models.**

**Step B: Attach dual mount to pole**

1. Connect dual mount bracket F and back grip G, using threaded rods B and the following 3/8" hardware: A, D, and E. See Figure 10.
2. Make sure that the threaded rods are flush with the nuts on the face of the dual mount bracket. Tighten them only loosely, and do the same for all three brackets on the pole.

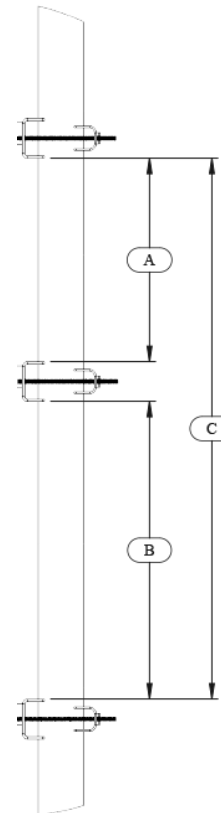


**Figure 10: Connecting the bracket and the back grip**

3. Measure the distances separating all three brackets. See Figure 11 and Table 4.
4. Tighten and secure mounting brackets.

**Step C: Attaching the antenna**

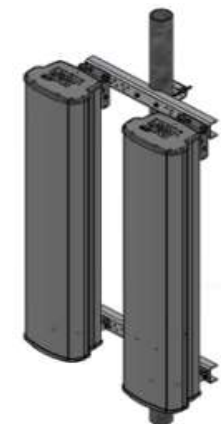
1. Use MX/MC Mounting Bracket Kit 91900318 and MX/MC Center Mount Kit 91900319, and look to Mounting Bracket Installation 81900507 for tilt instructions, as included in your MX/MC-model antenna. Follow those instructions. If you no longer have physical copies, please contact JMA Wireless.



**Figure 11: Bracket heights for MX/MC**

	8' antennas	6' antennas	4' antennas
A	20.5"	N/A	N/A
B	30.0"	N/A	N/A
C	N/A	63.75"	42.75"

**Table 4: Bracket height key**



**Figure 12: Visual representation of two antennas mounted side by side. (Some models would have a third bracket.)**