

FMK-2XX-O-XX

FUZE™ Dual Remote Mount Kit for TEKO LP Remotes

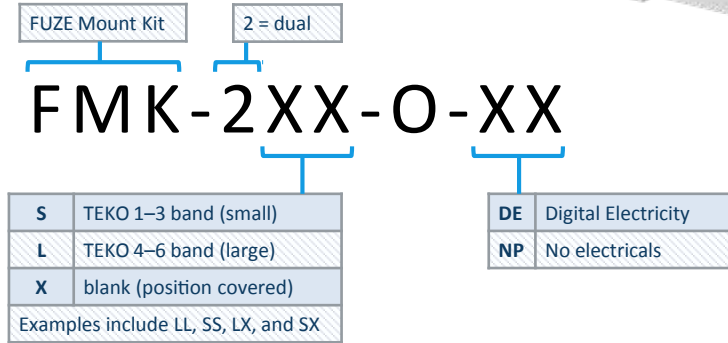


Product features

- Supports up to two TEKO 4–6 band, low-power remote units (RUs)
- 2–3 band, low-power RUs supported with optional adapters
- Unused remote locations can be covered for future expansion
- RUs can be powered by AC, DC, or Digital Electricity™ (DE)
- Prewired with circuit protection
- Integrated 6-port fiber tray
- Lockable access door
- Can be deployed indoors and outdoors
- Mounts using standard 1/2" hardware
- Optional unpowered cabinet available



FUZE Mount Kit nomenclature



Product specifications

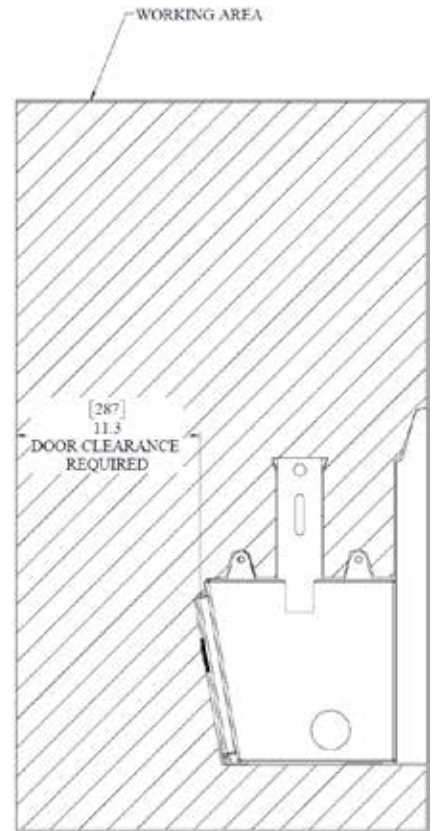
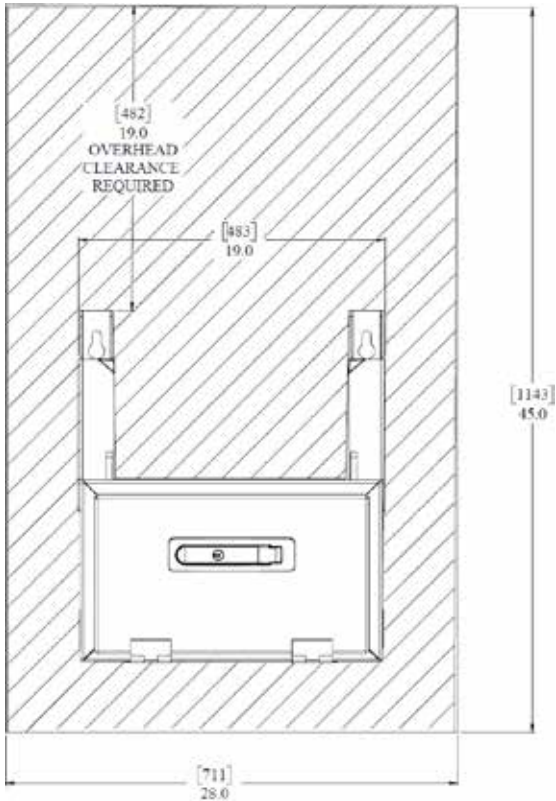
TEKO low-power remote capacity	1 or 2 TEKO remote units	
Remote type	TEKO 4–6 band, low-power RU (1–3 band TEKO RUs supported with optional adapter)	
Fiber count	Maximum 6 single-mode fibers	
Fiber connector type	SC/APC	
Material	1/8" thick powder-coated aluminum	
Color	White	
Latch type	2-point lever action, lockable	
Hardware material	Stainless steel	
Operating temperature	-4 °F to 113 °F -20 °C to +45 °C	
IP rating	IP66	
Dimensions	22" H x 19" W x 14" D 56 cm H x 48.26 cm W x 36 cm D	
Weight (enclosure only)	22 lb 9.98 kg	
Wiring inputs	6 × 2.4" diameter (2" conduit) knockouts	
Additional hardware kits	<ul style="list-style-type: none"> • KIT-FMK-BLANK: (2) empty port covers • KIT-FMK-LL-NP: (2) 4-6 band RU adapter kit 	<ul style="list-style-type: none"> • KIT-FMK-SS-NP: (2) 2-3 band RU adapter kit • KIT-FMK-LS-NP: (1) 2-3 band and (1) 4-6 band RU adapter kit

FMK-2XX-O-XX

FUZE™ Dual Remote Mount Kit for TEKO LP Remotes



Mechanical outline drawing



Wall-mounting configuration

Mounts to wall using standard 1/2" studs or lag bolts (not included).

