



JMA

Stadium Antenna
(SX-* / DX-* / XGU-*)

Weep hole modification guide



Overview of weep hole additions

- To help create new weep holes on JMA stadium antennas (SX-*, DX-*, and XGU-* models), this guide was created for alterations made directly in the field.
- Because there are many potential tilt and install angles, this guide allows for on-the-spot judgments to be made about where the ideal placement for new weep holes may be – this guide will help avoid damage to the antenna itself while drilling new holes.
- This guide includes:
 - 1) A guideline of key parameters for drilling new weep holes into the stadium antennas, including widths for new holes, clearance for drill depth, etc.
 - 2) A drawing of the front of the stadium antenna, showing what areas on the radome should be avoided when drilling, since elements of the antenna could be damaged.
- SX antennas can either be mounted vertically or horizontally. As such, weep holes are **required** to be drilled on site, prior to installation, dependent on the antenna orientation.

Key details for drilling weep holes

		Notes
Hole diameter		Hole should be created using single drill with a 1/8" bit.
# of weep holes		Minimum of 4 weep holes nearest to the low point as possible
Drill depth		Drill has to go only 1/4" deep; drill a complete hole in the Radome (the Radome is only .100" thick).
Re-sealing holes		Recommended to use outdoor Silicone to seal the existing weep holes that will not be needed.
Considerations	Hard stop	Setting a 1/4" hard stop on the drill bit is encouraged to limit risk of over-drilling.
	Danger zones	If it is required to drill in highlighted danger zones, the maximum clearance is 1/4".
	Side of radome	There are no danger zones if drilling from side of radome, but drilling should be limited to 1/4" to reduce risk.

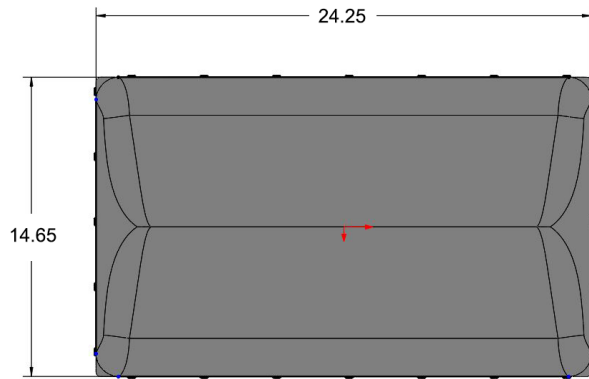
Stadium antenna guide table of contents

Model number	Page
SX04FRO128, SX08FRO128	5
SX04FRO165, SX10FRO165	6
SX04FRO230, SX08FRO230	7
DX10FRO260	8
DX12FRO260	9
XGU-165-I	10
XGU-FRO-124-I	11
XGU-FRO-128-I	12
XGU-FRO-130-I	13
XGU-FRO-230-I	7
XGU-465-I	14

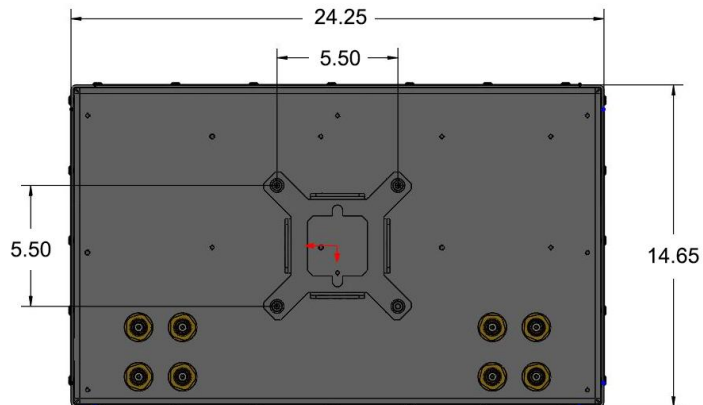
SX04FRO128, SX08FRO128 weep hole modifications

Specs of antenna

Top of antenna

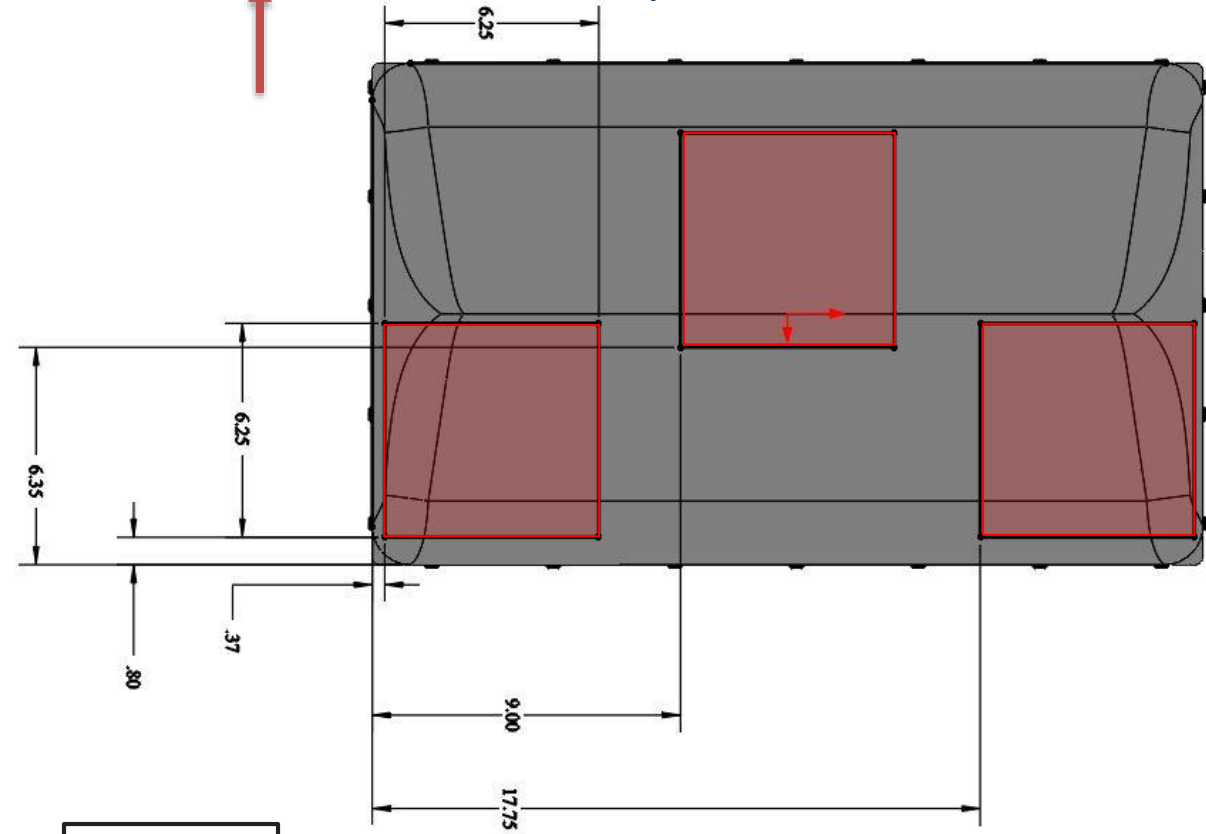


Top of antenna



Danger zones for drilling – showing front of radome

Top of antenna

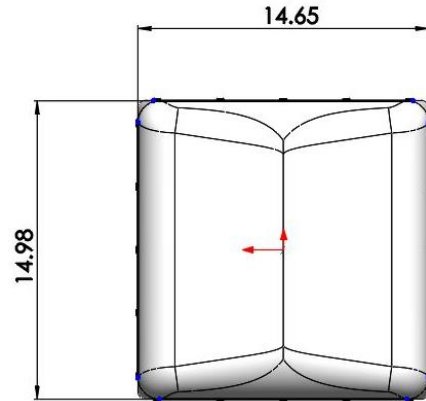


Danger zone –
Advised to not
drill within
these borders

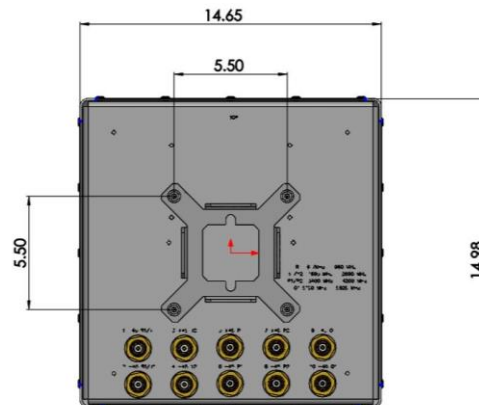
SX04FRO165, SX10FRO165 weep hole modifications

Specs of antenna

Top of antenna

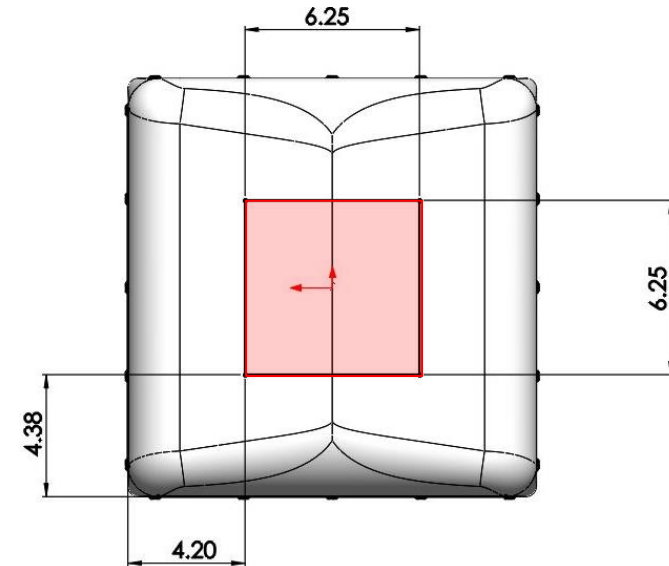


Top of antenna

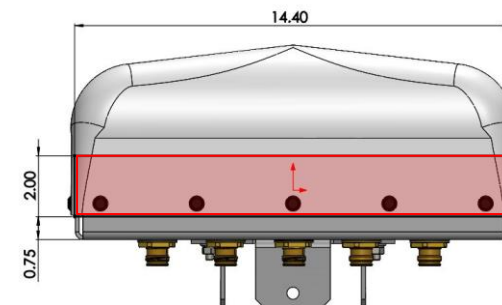


Danger zones for drilling – showing front of radome

Top of antenna



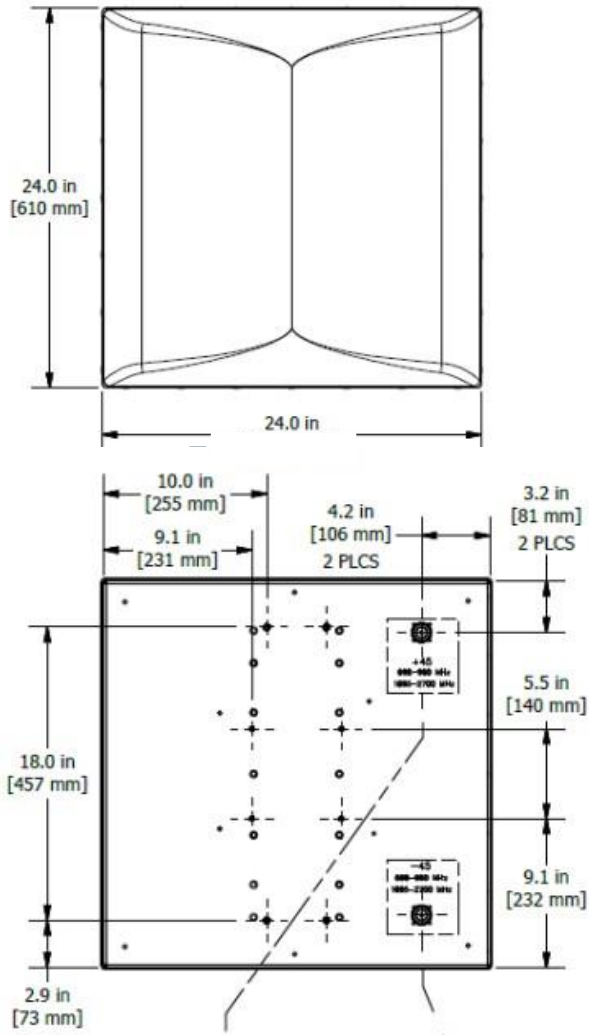
Danger zone –
Advised to not
drill within
these borders



SX04FRO230, SX08FRO230, XGU-FRO-230-I weep hole modifications

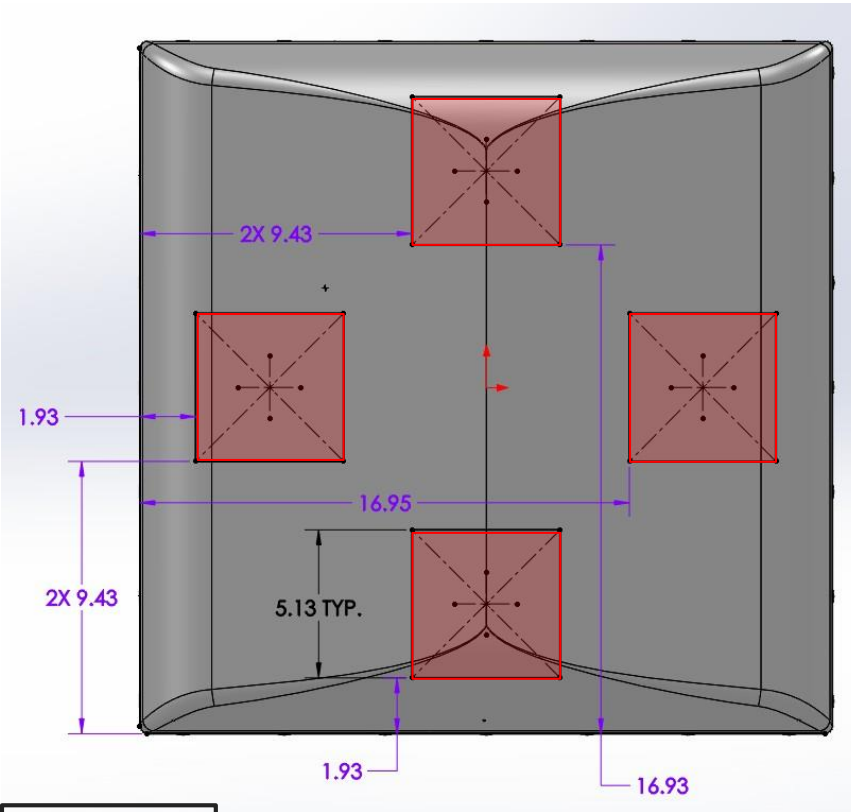
Specs of antenna

Top of antenna



Danger zones for drilling – showing front of radome

Top of antenna



XGU-FRO-230-I shown for reference

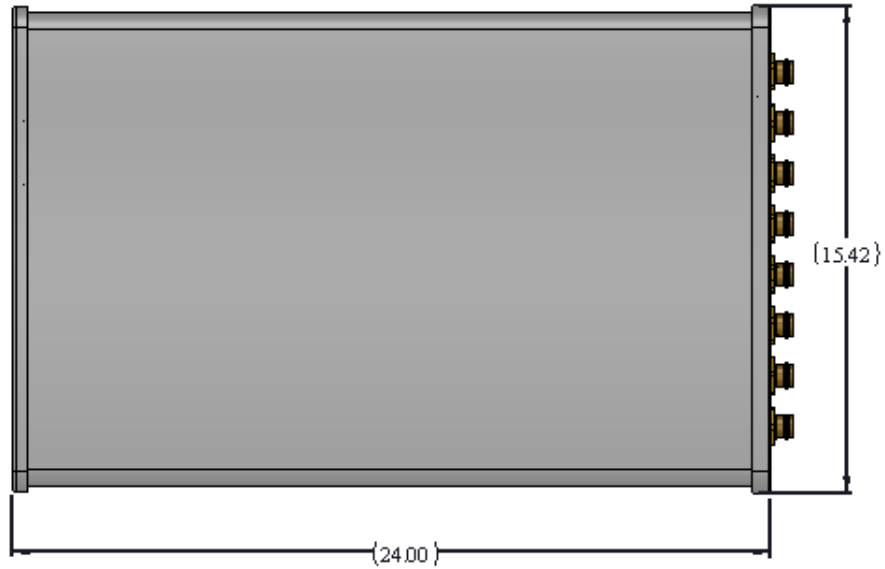
Danger zone –
Advised to not drill within these borders

DX10FRO260 weep hole modifications

Specs of antenna

Top of antenna

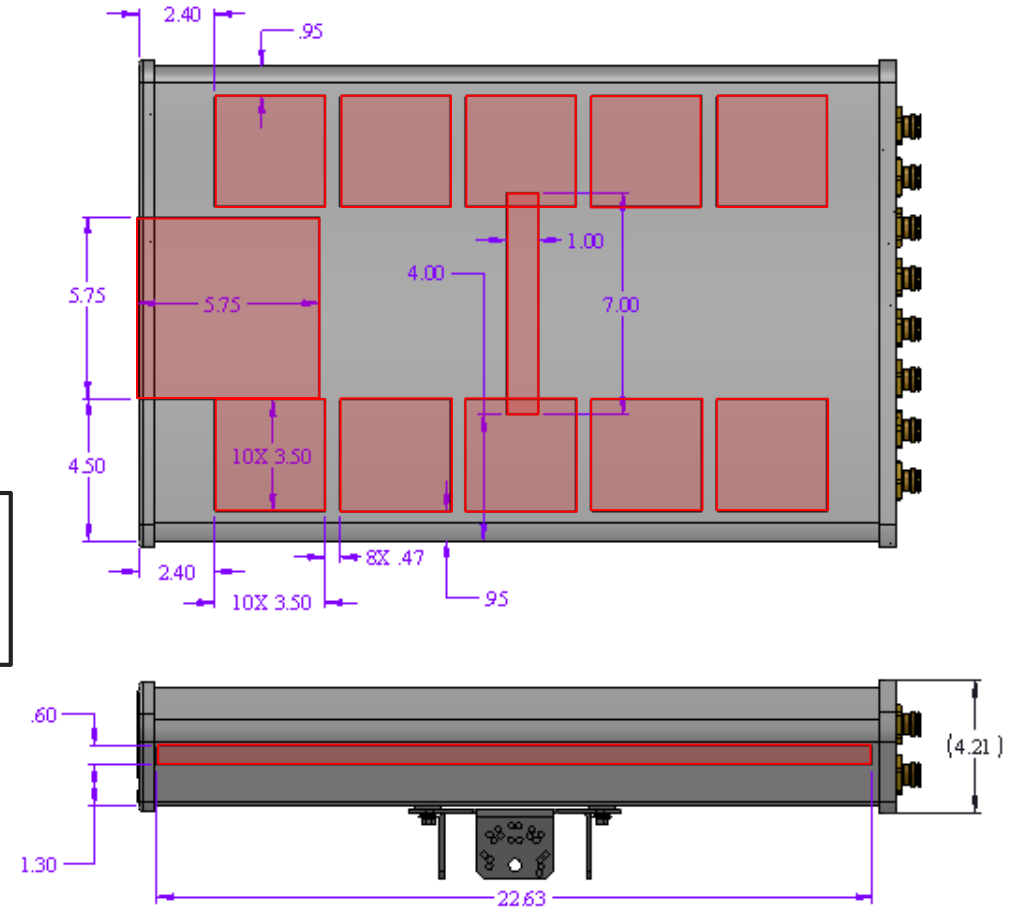
Front view



Danger zones for drilling – showing front of radome

Top of antenna

Danger zones –
Advised to not
drill within
these borders

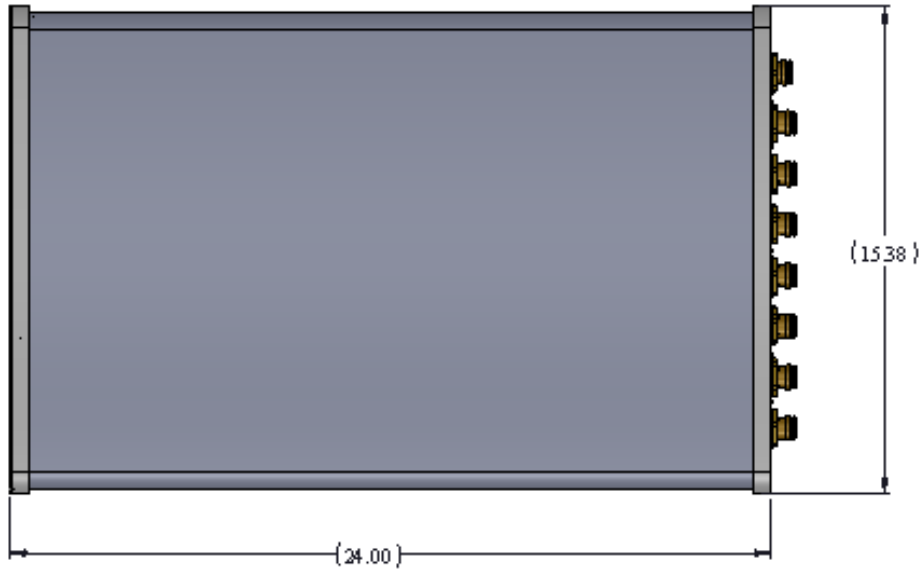


DX12FRO260 weep hole modifications

Specs of antenna

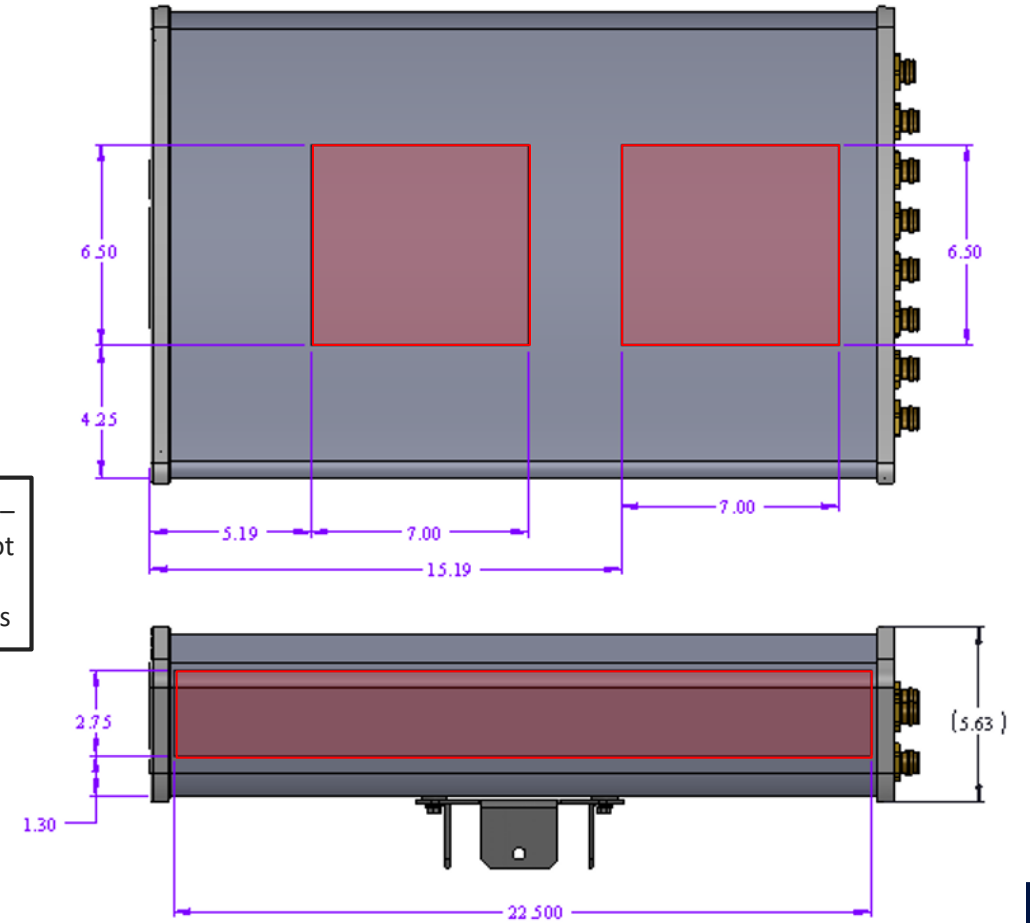
Top of antenna

Front view



Danger zones for drilling – showing front of radome

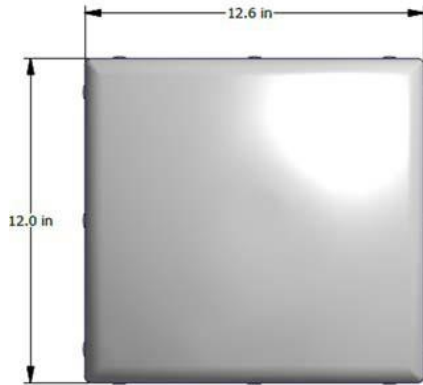
Top of antenna



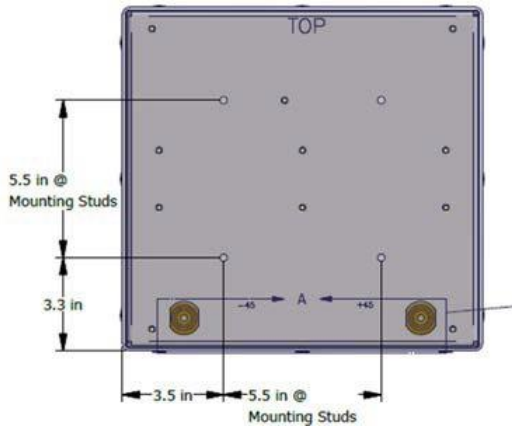
XGU-165-I weep hole modifications

Specs of antenna

Top of antenna

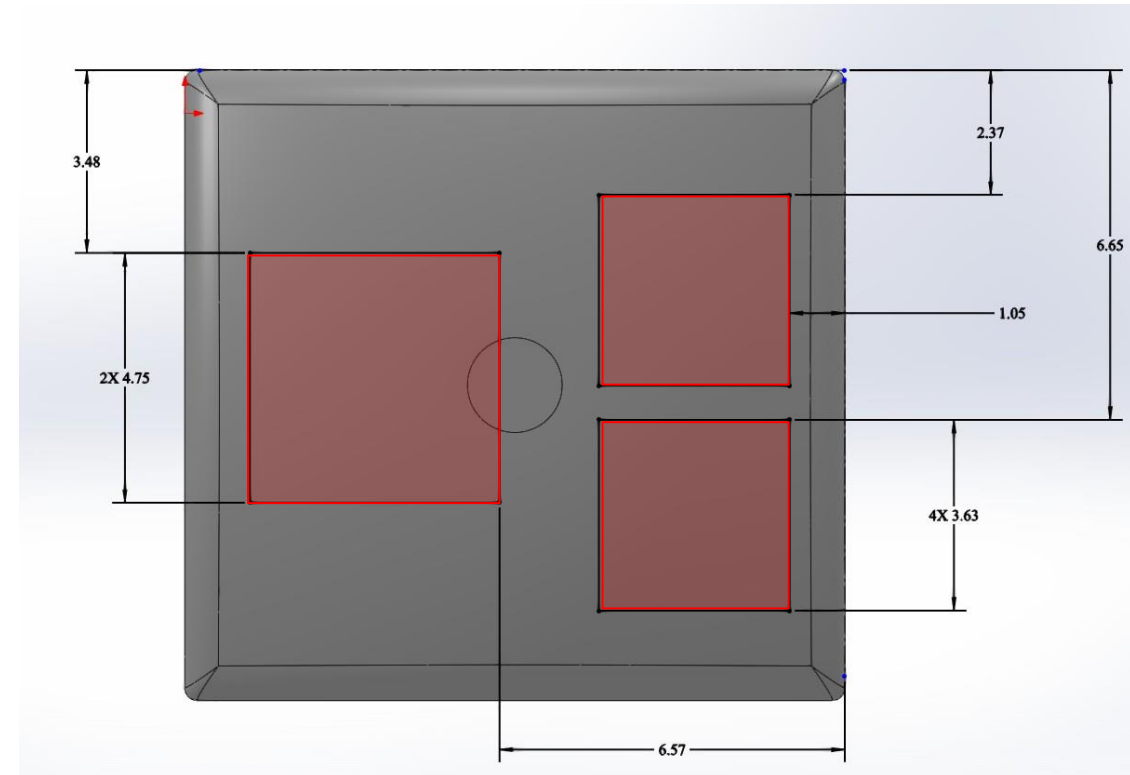


Top of antenna



Danger zones for drilling – showing front of radome

Top of antenna



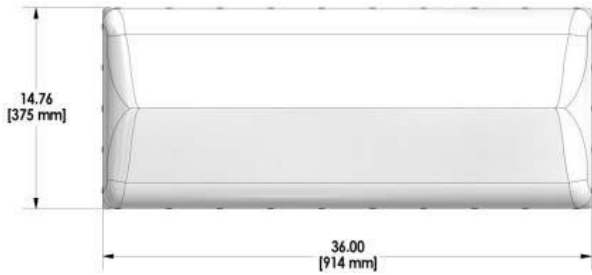
Danger zone –
Advised to not
drill within
these borders

XGU-FRO-124-I weep hole modifications

Specs of antenna

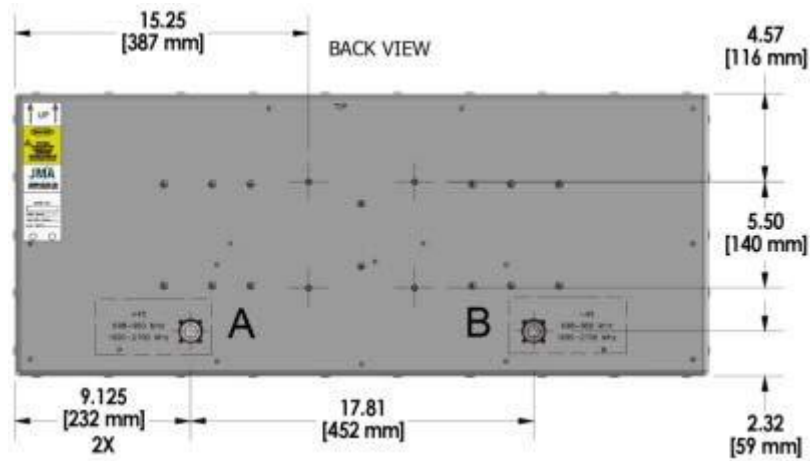
Top of antenna

Front view

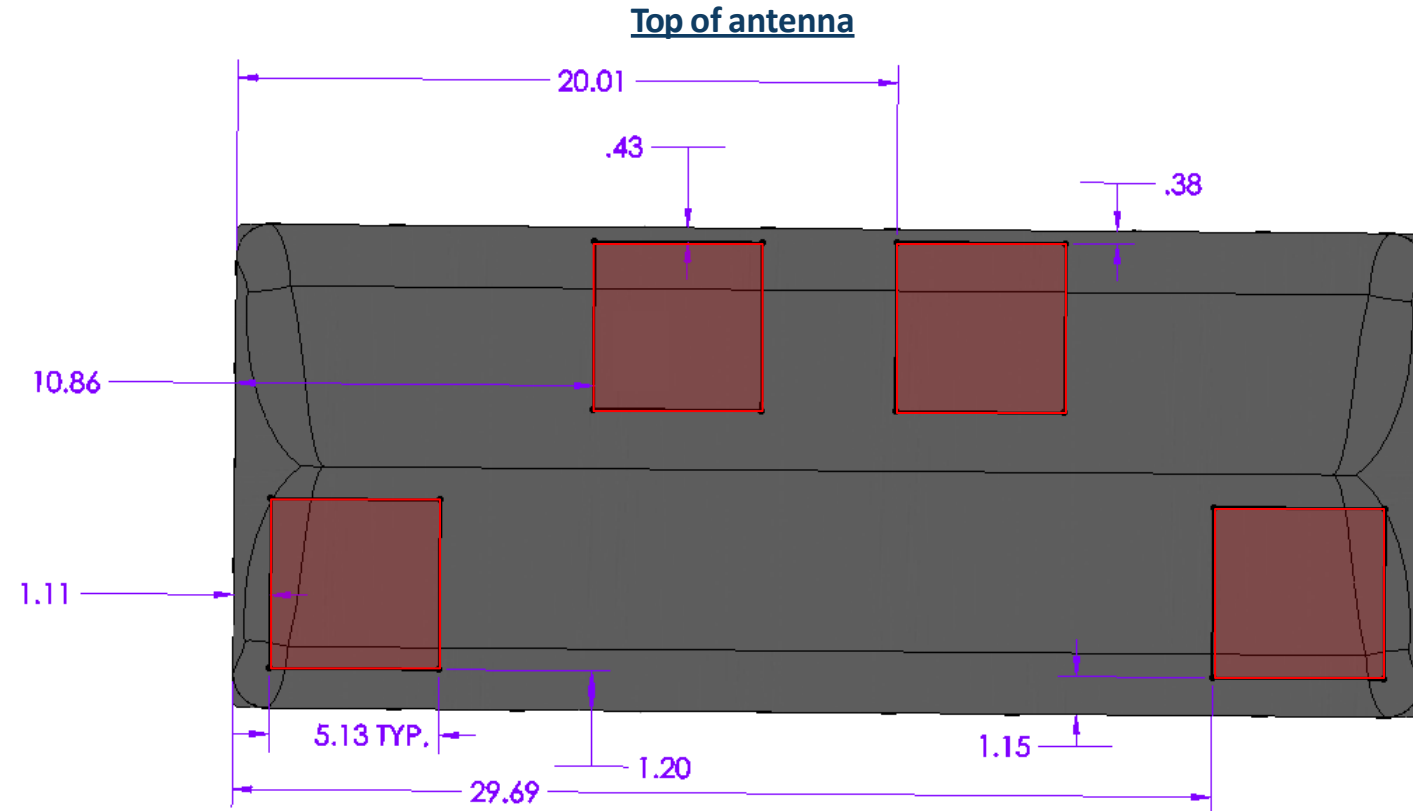


Top of antenna

Back view



Danger zones for drilling – showing front of radome

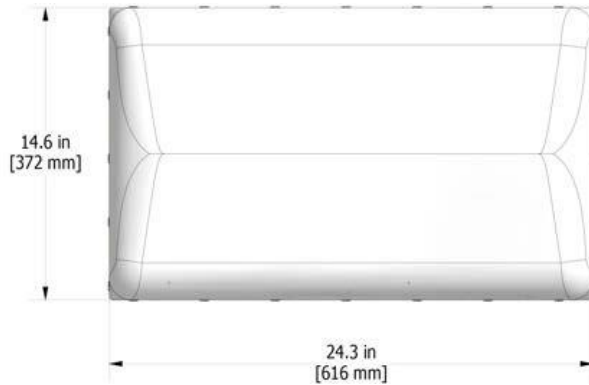


Danger zone –
Advised to not
drill within
these borders

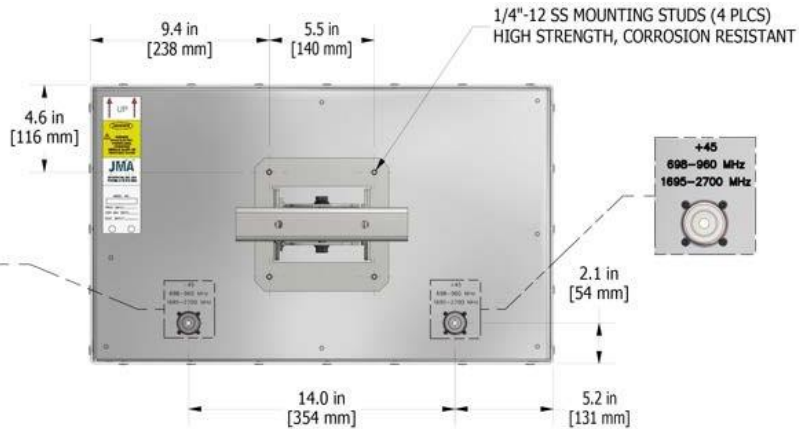
XGU-FRO-128-I weep hole modifications

Specs of antenna

Top of antenna

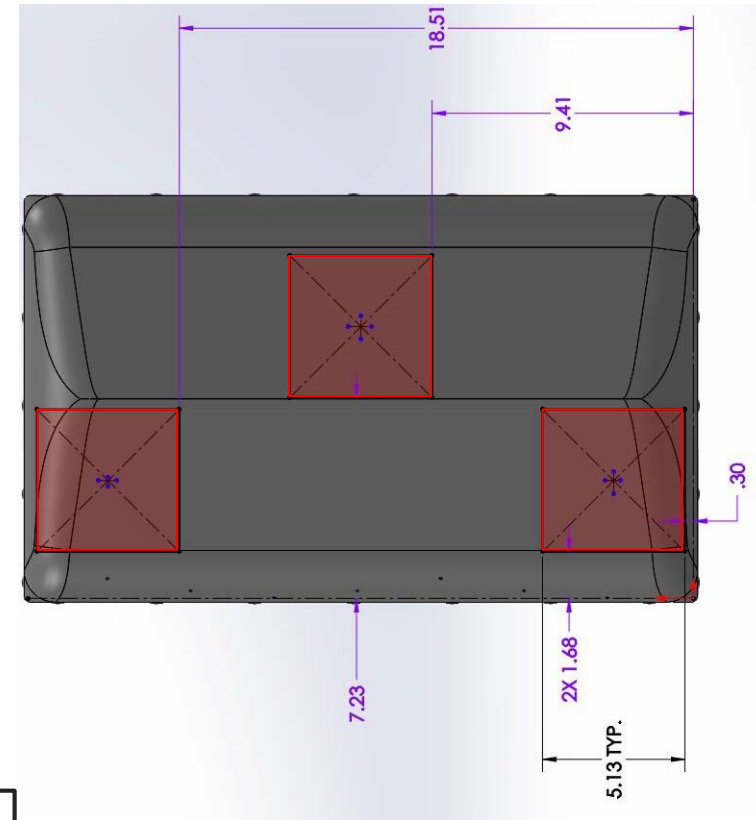


Top of antenna



Danger zones for drilling – showing front of radome

Top of antenna



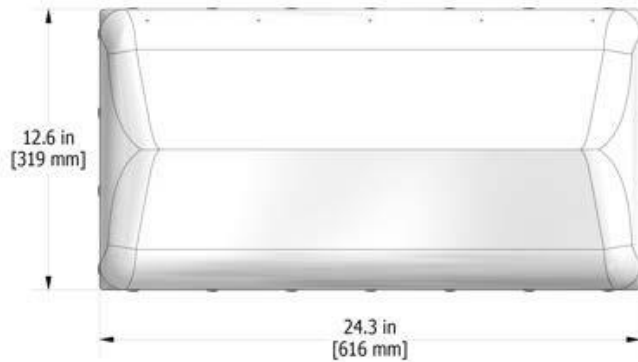
Danger zone –
Advised to not
drill within
these borders

XGU-FRO-130-I weep hole modifications

Specs of antenna

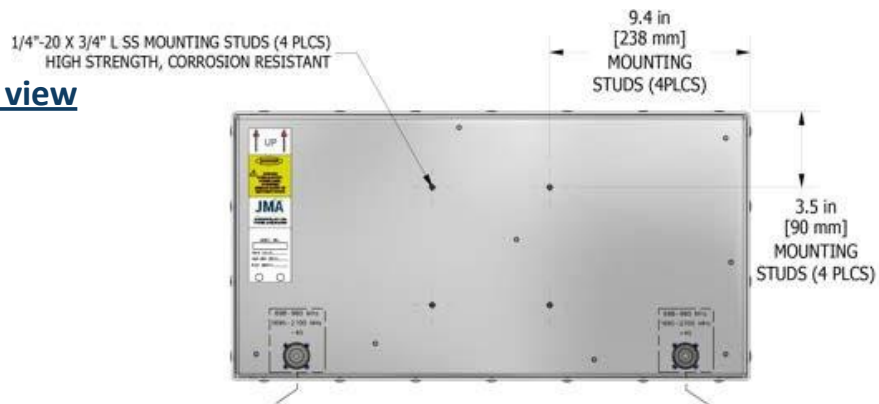
Top of antenna

Front view



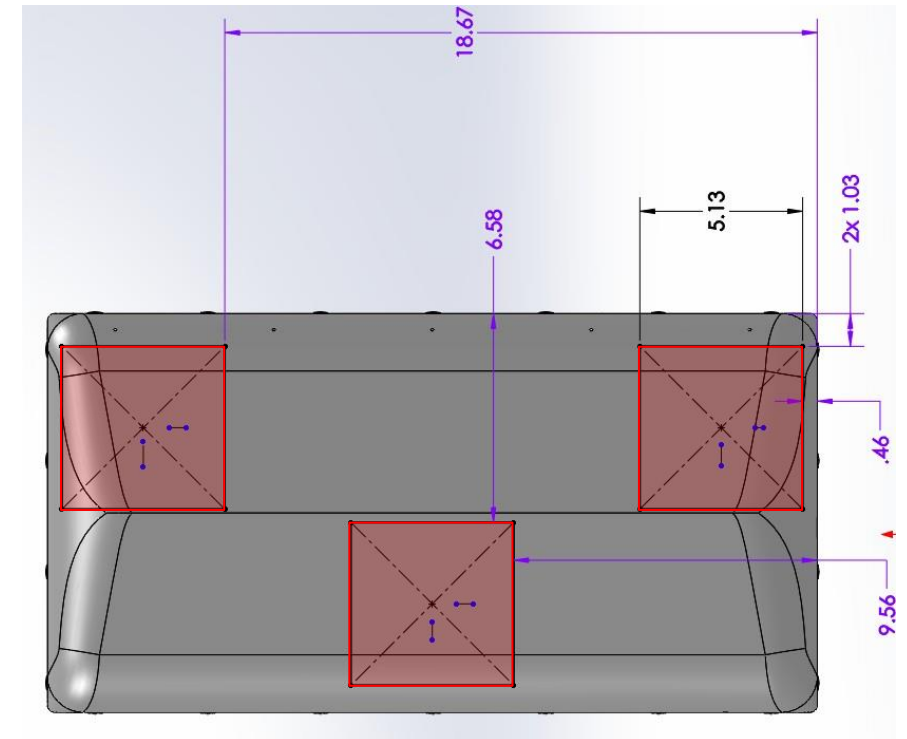
Top of antenna

Back view



Danger zones for drilling – showing front of radome

Top of antenna



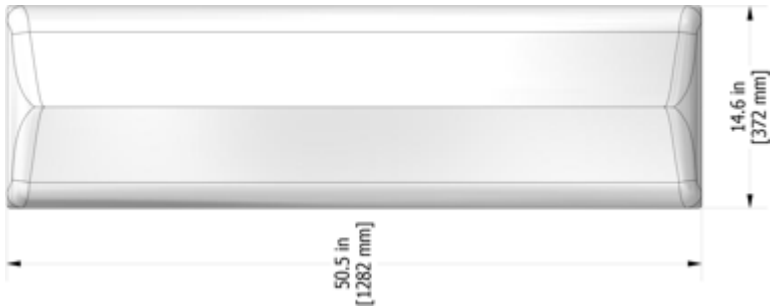
Danger zone –
Advised to not
drill within
these borders

XGU-465-I weep hole modifications

Specs of antenna

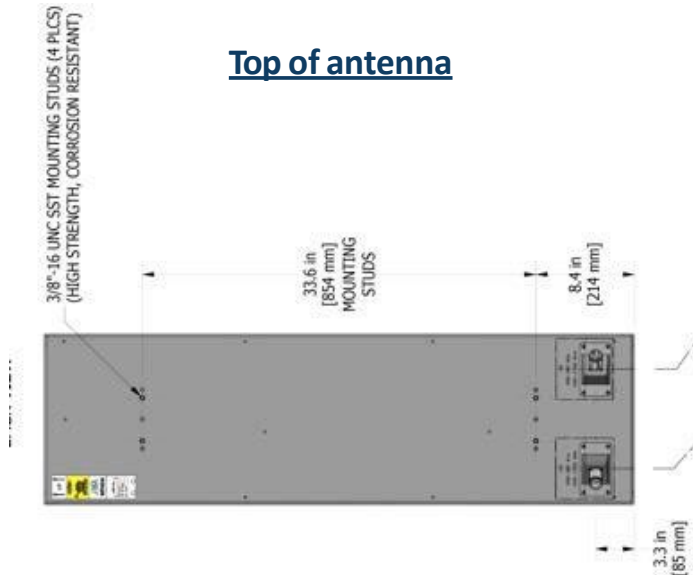
Top of antenna

Front view



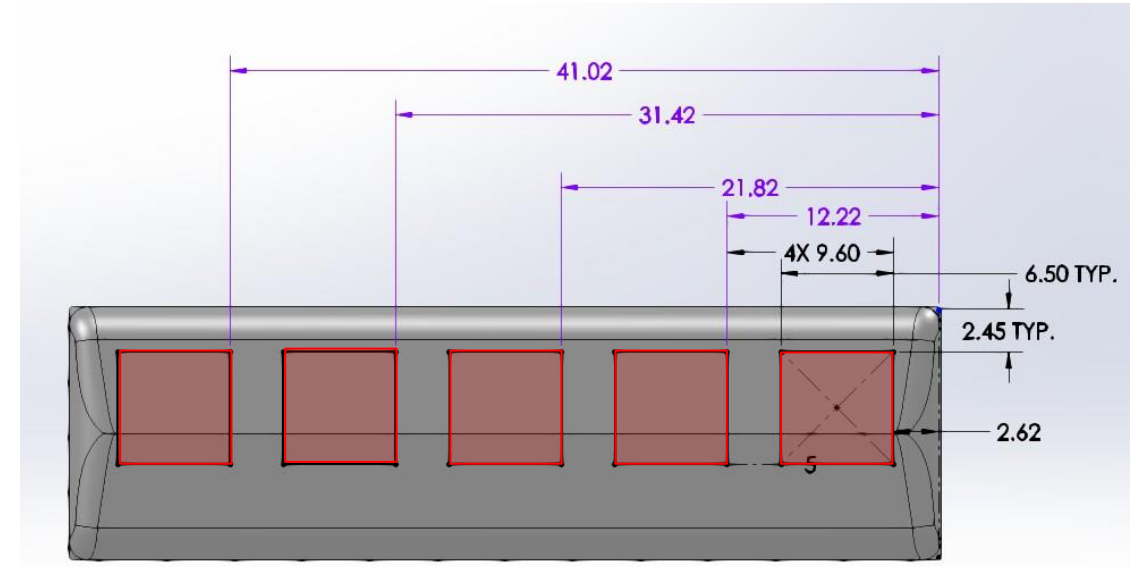
Top of antenna

Back view



Danger zones for drilling – showing front of radome

Top of antenna



Danger zone –
Advised to not
drill within
these borders