

PCU-1000

Antenna Systems

PCU-1000

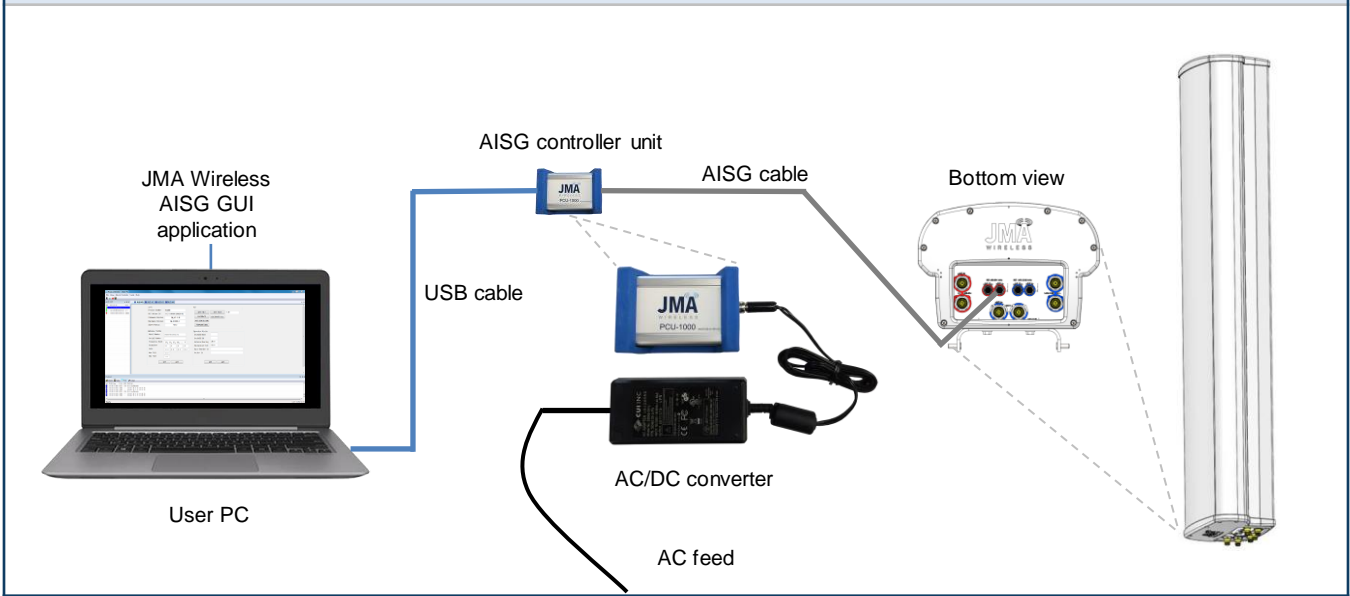
Primary control unit for Remote Electronic Tilt AISG v2.0

- Designed to remotely control Remote Electronic Tilt
- Flexible and portable AISG primary control unit
- RS485 to USB converter
- Supports AISG v2 protocol

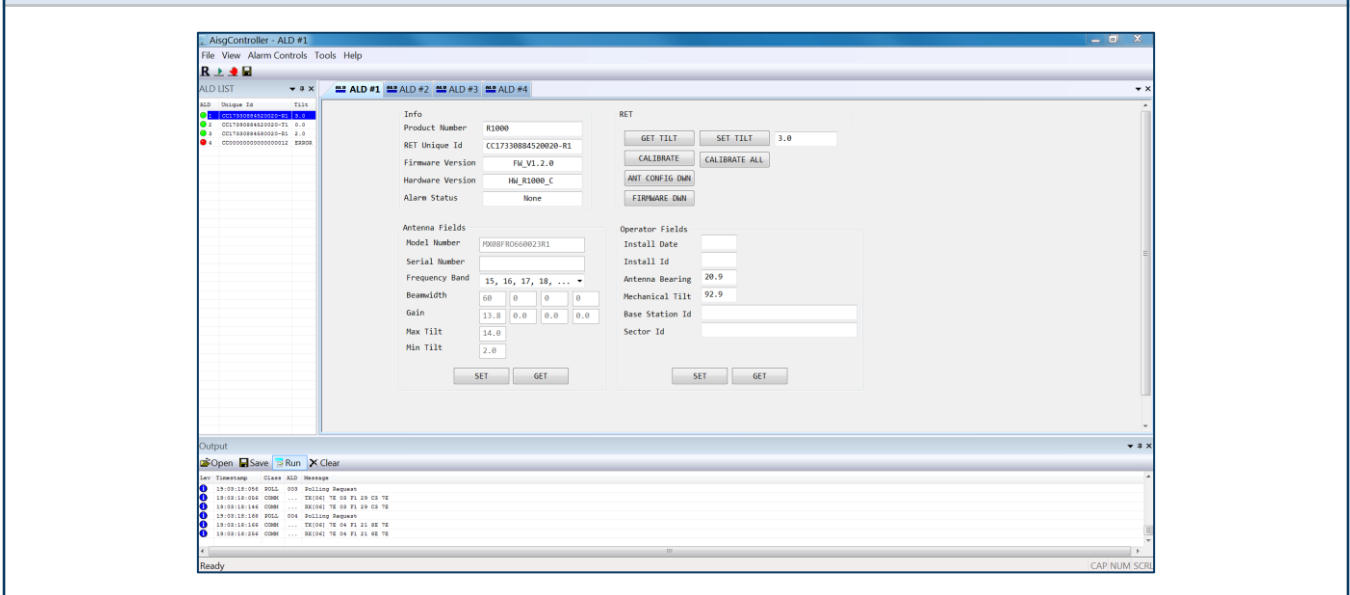


Electrical specifications	
Input/supply voltage	100-240 VAC, 50-60 Hz, 1.5 A
Controller interface specification	AISG v2
AISG connector (RS485 interface + DC)	Single 8 PIN female AISG connector
Computer interface (USB)	USB to USB micro cable
AC adapter-PCU	24 V @ 1.1 amps
Mechanical specifications	
PCU-1000 dimensions	3.9 in. L x 2.7 in. W x 1.8 in. H
AISG connector torque	Minimum 0.5 N·m to maximum 1.0 N·m (hand pressure and finger tight)
Software specifications	
Windows operating system supported	Windows XP thru Windows 10
USB-485 Windows-based VCP driver	FDTI Windows 2.08.28 WHQL certified (x86 or x64 as applicable) Driver download (http://www.ftdichip.com/Drivers/VCP.htm) Click "VCP Drivers" link to install.
PC-based software (AISG v2), GUI	JMA AISG Controller software (see website for latest version)

AISG v2 system configuration



PC application



Ordering information	
Model	Description
PCU-1000	AISG controller which includes the control box, USB cable, AC/DC converter (24 V), and a 0.5 m AISG cable.