

Rev.	Description	EC number
A	Release	77297

MX/MC Model Bracket

Instructions for extension kit
for MX08FIT265-01

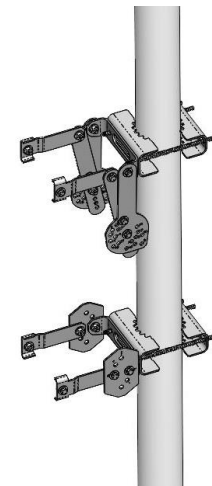
P/N 81900523



JMA Wireless World
Headquarters

7645 Henry Clay Boulevard
Liverpool, NY 13088
USA

www.jmawireless.com
+1 888-201-6073



*longer configuration shown

MX/MC Model Brackets

Instructions for extension kit for MX08FIT265-01

This is the installation guide for the extension kit for the **MX08FIT265-01** antenna. This kit allows the antenna to be either in-line or above the other macro antennas mounted adjacent to it, which helps to avoid pattern interference. Below is the bracket kit included with the antenna.

Kit #91900330: MX08FIT265-01 extension bracket kit			
Item #	Part #	Description	Qty. in kit
1	45700384-01	Back grip bracket	2
2	413-452-2721-VS	3/8" lock washer, HDG	24
3	45700382-01	Single mount adapter	2
4	45700391-01	Negative degree adj. bottom bracket	2
5	45700385-01	Anti-rotation bracket	2
6	41100318-01	Threaded rod	4
7	411-057-1352-VS	3/8" bolt, HDG	16
8	45700380-01	Antenna linkage arm mounting bracket	2
9	45700563-02	MX08 extension bracket, long	4
10	45700381-01	Tilt select arm mounting bracket	2
11	413-441-2721-VS	3/8" flat washer, HDG	44
12	412-044-1323-VS	3/8" hex nut, galv.	28
13	45700563-01	MX08 extension bracket, short	4

NOTE: These item numbers refer to Figures 4 and 5 on pages 6 and 7. Item 9 is interchangeable with Item 13, depending on the length of the bracket you wish to use.

Other key details:

- The brackets were designed to handle pole diameters ranging from 2.5 to 4.5 inches.
- When tightening all hardware, use the torque setting 20 lbf-ft.

MX/MC Model Brackets

Instructions for extension kit for MX08FIT265-01

Bracket height differences:

Bracket kit	Total height of MX08
Standard bracket kit (See Figure 1)	13.5"
91900330 using 45700563-01 (shorter bracket) (See Figure 2)	16.4"
91900330 using 45700563-02 (longer bracket) (See Figure 3)	19.2"

Table 1: Bracket differences

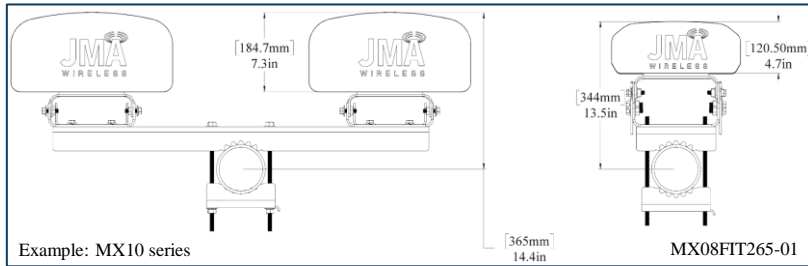


Figure 1: With the 91900318 standard macro bracket kit (bracket attached to 4.5" diameter pole in this example)

The shorter bracket in this kit, 45700563-01, will be used to bring the MX08FIT265-01 in line with all the MX10 antenna series (7.5" depth) as shown below in Figure 2. This will allow the MX08FIT265-01 to be at a total height of 16.4" from the center of the pole.

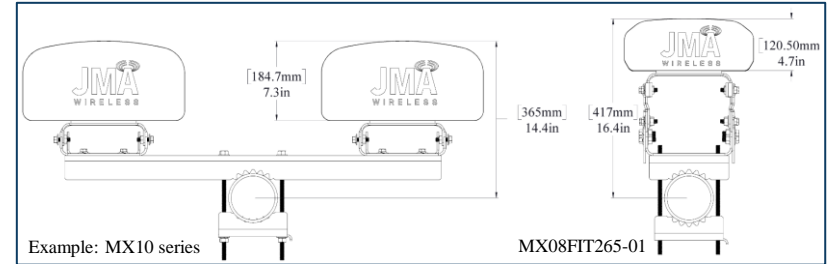


Figure 2: With the 91900330 extension kit using a shorter bracket 45700563-01 (bracket attached to 4.5" diameter pole in this example)

The longer bracket in this kit, 45700563-02, will be used to bring the MX08FIT265-01 in line with all the Gen 2 MX06 antenna series (10.7" depth) as shown below in Figure 3. This will allow the MX08FIT265-01 to be at a total height of 19.2" from the center of the pole. This works with single-mount bracket kits or dual-mount brackets for the Gen 2 MX06 antenna series.

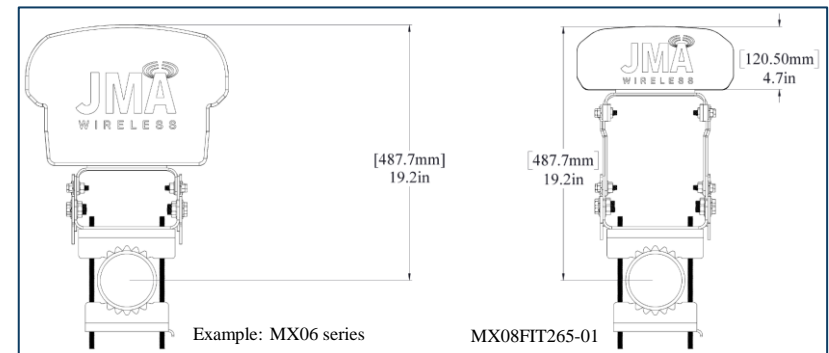


Figure 3: With the 91900330 extension kit using a longer bracket 45700563-02 (bracket attached to 4.5" diameter pole in this example)

Attach bottom bracket to antenna

1. Install bottom mount pieces—back grip bracket 1, anti-rotation bracket 5, single mount adapter 3, bottom bracket 4, and MX08 extension bracket 9 (highlighted blue)—onto antenna as shown in *Figure 4* using threaded rods 6 and the following 3/8" hardware: 2, 7, 11, and 12.

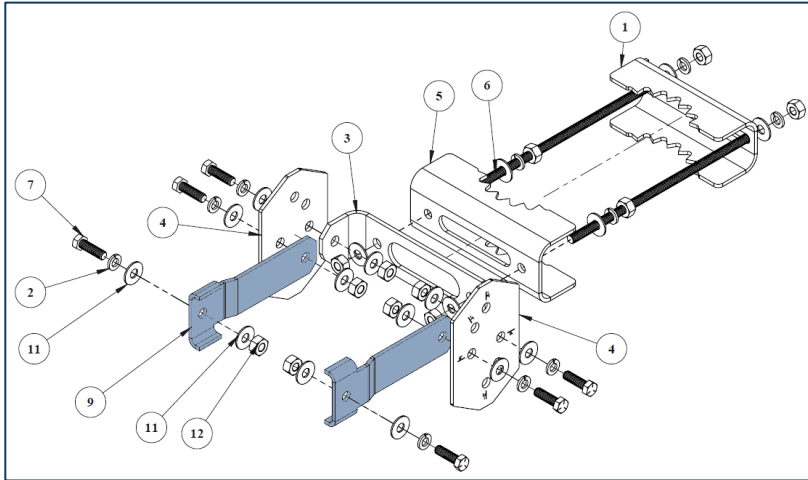


Figure 4: Bottom mount

2. Connect the single mount adapter 3 and bottom bracket 4 using the hole labelled "0." If you need to do a -1° or -2° tilt, use the labeled holes on the bottom bracket plate. Leave the fasteners associated with tilt and pole loose enough to allow free rotation of the parts. Make sure the threaded rods do not extend past the nut closest to the antenna.

Attach top bracket to antenna

3. Install top mount pieces—back grip bracket 1, anti-rotation bracket 5, single mount adapter 3, antenna linkage arm 8, tilt select arm 10, and MX08 extension bracket 9 (highlighted blue)—onto antenna as shown in *Figure 5* using threaded rods 6 and the following 3/8" hardware: 2, 7, 11, and 12.

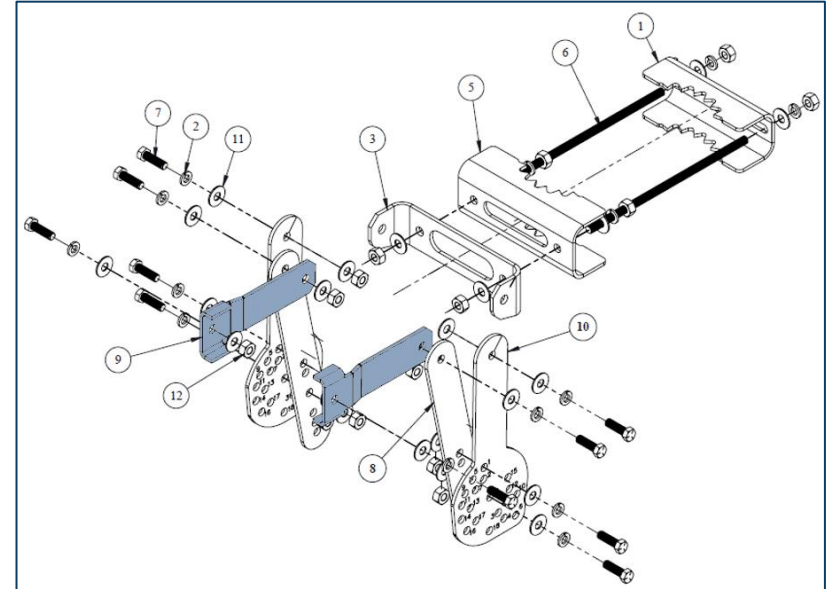


Figure 5: Top mount

4. Fasten antenna linkage arm 8 and tilt select arm 10 together using holes "C" and "1" for default tilt. Leave all fasteners associated with tilt and pole loose enough to allow free rotation of the parts. Make sure the threaded rods do not extend past the nut closest to the antenna.

MX/MC Model Brackets

Instructions for extension kit for MX08FIT265-01

- If a tilt other than 0 degrees is desired, reposition the antenna according to the hole numbering on tilt select arm 10, *Figure 5*, and downtilt *Table 2*. For bottom bracket 8, *Figure 6*, use 0 degrees for downtilt, and -1 or -2 degrees for uptilt. Then tighten all fasteners to 20 lb-ft.

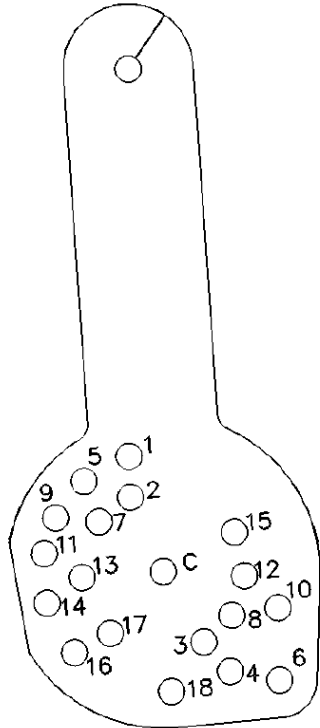


Figure 5: Tilt select arm

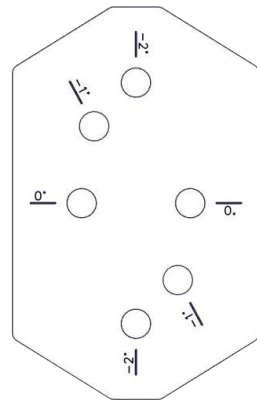


Figure 6: Bottom bracket

Downtilt table (degrees)			
Pin hole	4'	6'	8'
1	0	0	0
2	1.3	0.9	1
3	2.3	1.6	1.8
4	3.0	2.0	2.3
5	4.2	2.9	3.2
6	5.1	3.5	3.9
7	6.0	4.1	4.6
8	6.8	4.6	5.2
9	7.7	5.2	5.9
10	9.0	6.1	6.9
11	10.3	7.0	7.8
12	11.0	7.5	8.4
13	11.9	8.1	9.1
14	13.2	9.0	10.1
15	14.6	9.9	11.1
16	15.8	10.7	12.0
17	16.3	11.0	No use
18	17.8	12.0	No use

Table 2: Table for adjusting tilt