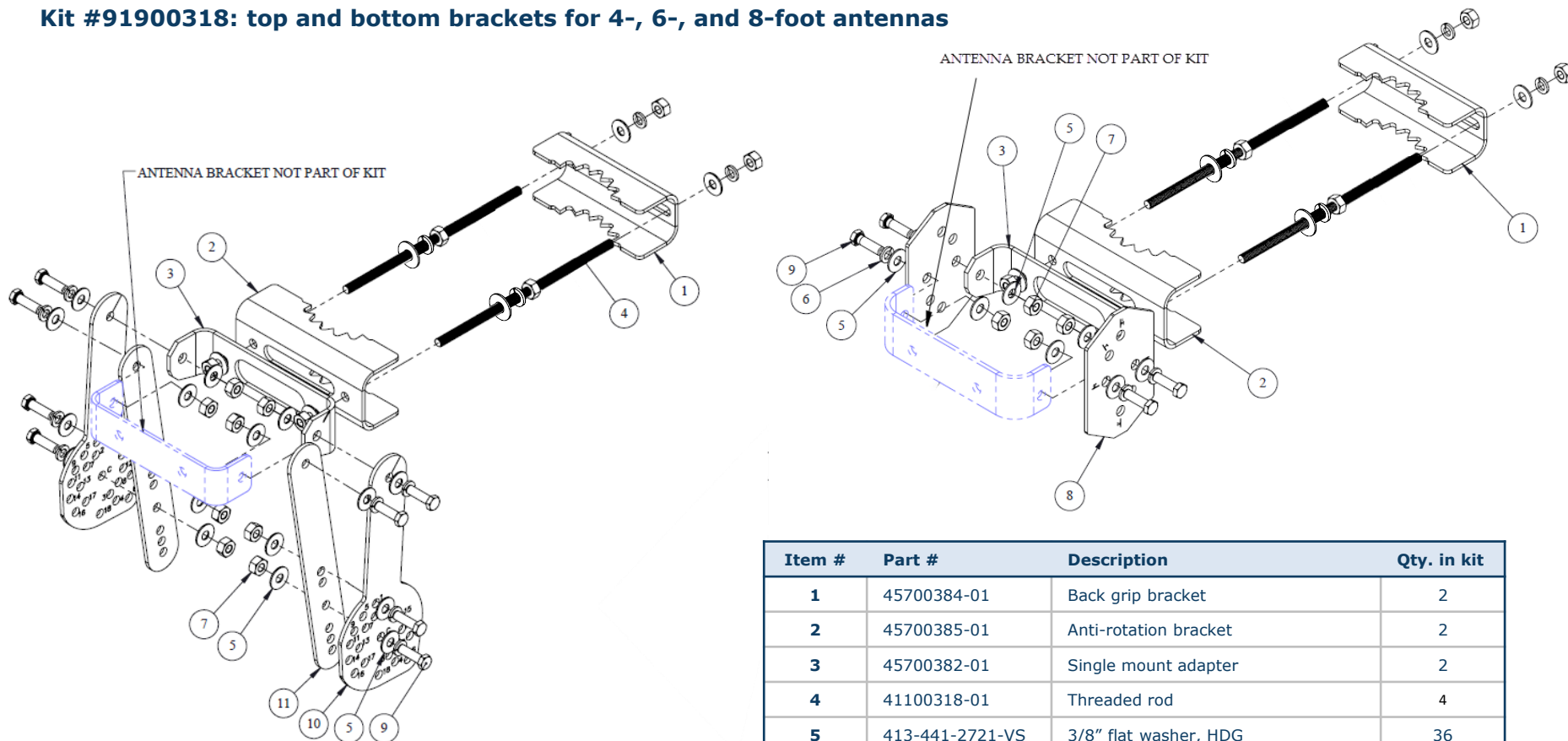


MX/MC Model Brackets: 91900318 and 91900319

Four-, Six-, and Eight-Foot Antennas

Kit #91900318: top and bottom brackets for 4-, 6-, and 8-foot antennas



Note:

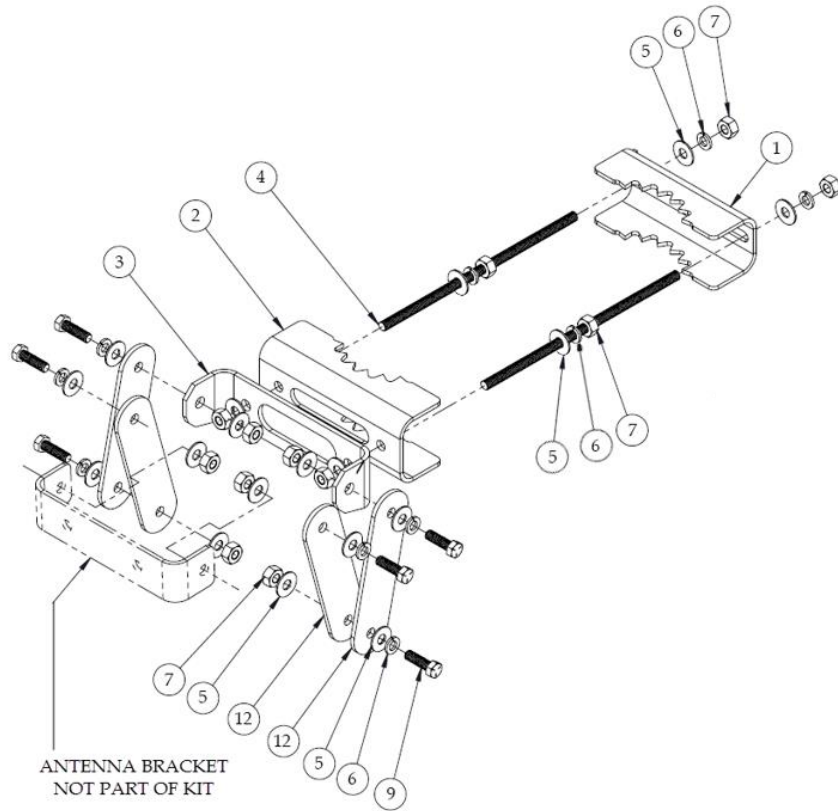
All three brackets were designed to handle pole diameters ranging from 2.5 to 4.5 inches.

Item #	Part #	Description	Qty. in kit
1	45700384-01	Back grip bracket	2
2	45700385-01	Anti-rotation bracket	2
3	45700382-01	Single mount adapter	2
4	41100318-01	Threaded rod	4
5	413-441-2721-VS	3/8" flat washer, HDG	36
6	413-452-2721-VS	3/8" lock washer, HDG	20
7	412-044-1323-VS	3/8" hex nut, galv.	24
8	45700391-01	Negative degree adj. bottom bracket	2
9	411-057-1352-VS	3/8" bolt, HDG	12
10	45700381-01	Tilt select arm	2
11	45700380-01	Antenna linkage arm	2

MX/MC Model Brackets: 91900318 and 91900319

Four-, Six-, and Eight-Foot Antennas

Kit #91900319: center bracket for 8-foot antennas



Item #	Part #	Description	Qty. in kit
1	45700384-01	Back grip bracket	1
2	45700385-01	Anti-rotation bracket	1
3	45700382-01	Single mount adapter	1
4	41100318-01	Threaded rod	2
5	413-441-2721-VS	3/8" flat washer, HDG	18
6	413-452-2721-VS	3/8" lock washer, HDG	10
7	412-044-1323-VS	3/8" hex nut, galv.	12
9	411-057-1352-VS	3/8" bolt, HDG	6
12	45700389-01	Center link bracket	4