

PCU-220

Primary Control Unit for Remote Electronic Tilt AISG v2.0

- Designed to remotely control Remote
- Electronic Tilt
- Flexible and Portable AISG Primary
- Control Unit
- RS485 to USB converter
- Supports AISG v2 protocol only



ELECTRICAL SPECIFICATIONS

Input/supply Voltage	+15 Volts @ 4 Amps (see below for AC converter)
Controller interface Specification	AISG v2 only
AISG connector (RS485 Interface + DC)	Single 8 PIN Female AISG connectors
Computer Interface (RS485 to USB converter)	FDTI USB/RS485 converter cable
AC Adapter-PCU	100-240VAC 50-60Hz 1.5A

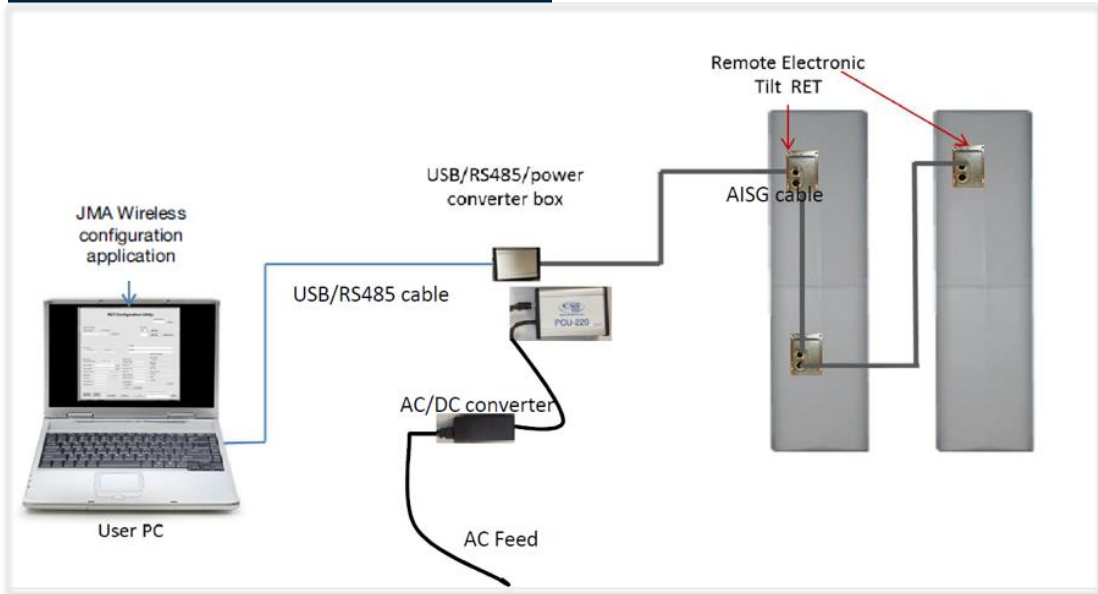
MECHANICAL SPECIFICATIONS

PCU-220 Dimensions	3.4/2.4/1.3 in (86.3/60.9/33.0mm)
AISG Connector Torque	Minimum .5Nm to Maximum 1.0Nm (Hand Pressure & Finger Tight connector)

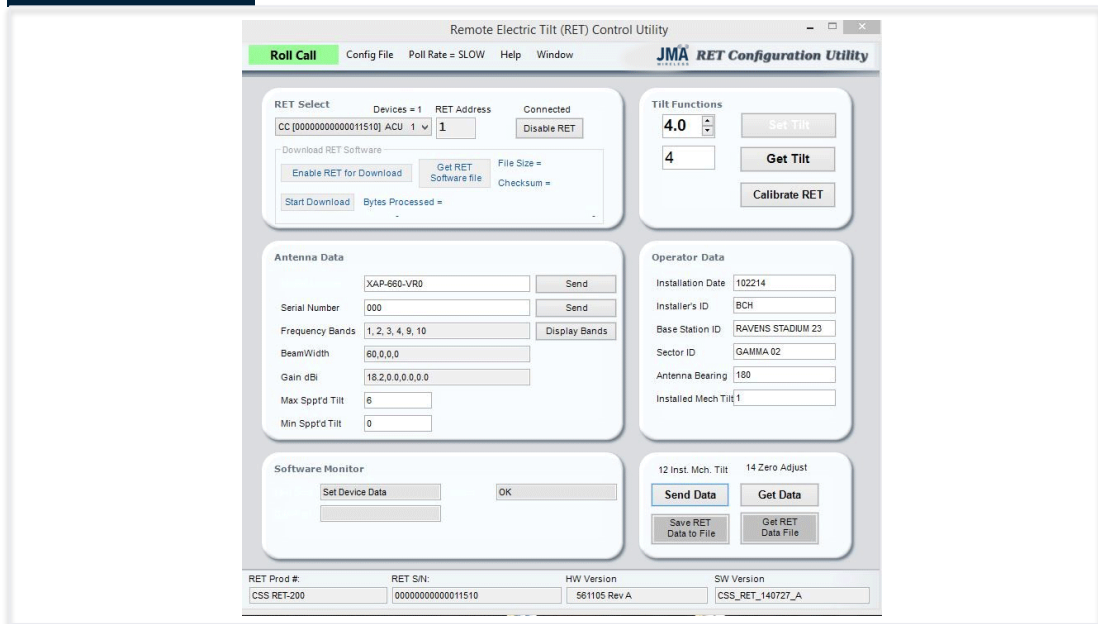
SOFTWARE SPECIFICATIONS

Window Operating System supported	WINDOW XP thru WINDOWS 8
USB-485 Window based VCP Driver	FDTI Window x64 2.08.28 WHQL certified Driver Download
PC based software (AISG v2 only)	JMA Wireless Window Remote Electric Tilt Control V1.2.5
GUI Installation Instructions	PCU-220 Install Instructions

CSS AISG v2 System configuration



PC Application



Model	Description
PCU-220	Part number 992037 includes the PCU-220 and Power converter and software