


Steel Pole Mounting System

SC-BKT-SLA-XX



Small Cell solutions	 <p style="text-align: right; margin-top: 10px;">JMA Wireless antenna (sold separately)</p> <p style="text-align: right; margin-top: 10px;">Universal pole bracket (for 2 3/8" pipes)</p>
<p>JMA Wireless’s proven mounting solutions are ideal complements to all infrastructure upgrades or retrofit projects. Our standard systems integrate with any antenna and radio configurations, effortlessly blend into urban/suburban environments, and withstand harsh weather conditions. This platform accommodates multiple shapes, sizes, and weights, providing flexibility for future hardware needs. The product portfolio includes ultra-RF transparent, maintenance-free coverings, high-strength steel mounting brackets, and light-weight, durable carbon fiber poles.</p>	

General specifications	
<ul style="list-style-type: none"> All-steel construction, rated for high wind zones Penetrating or clamping side-arm attachments Universal platform for all hardware options Optional color-matching shroud available (see below) 	<ul style="list-style-type: none"> Hollow core for concealing cables or diplexers Color-coordinated wireway systems available Adjustable bracing for varying pole diameters Modular configurations blend into any environment

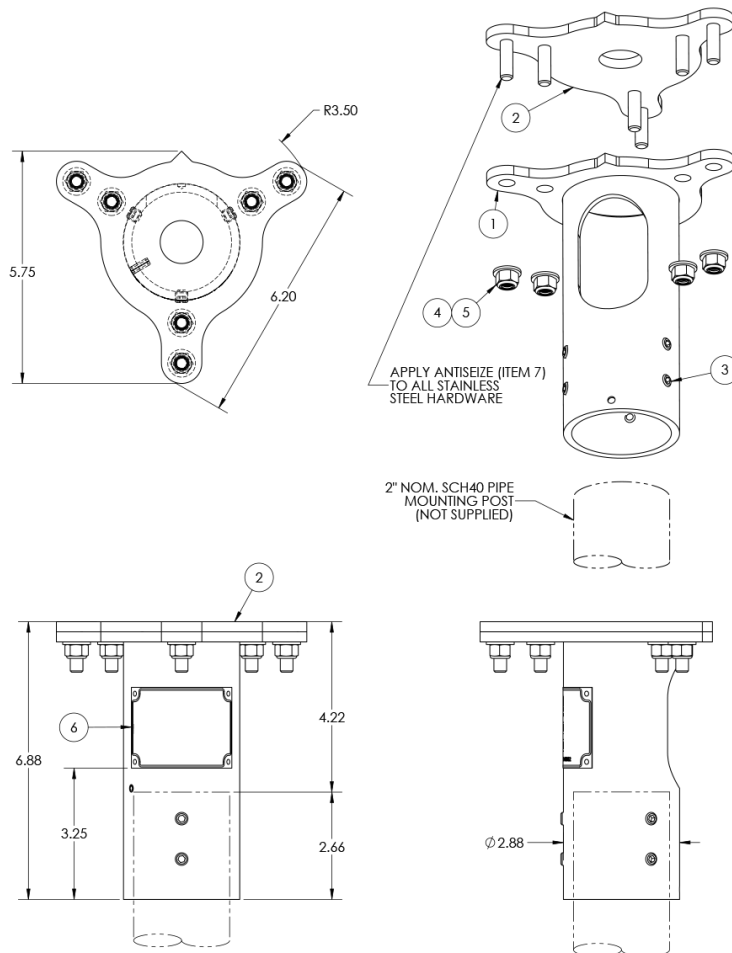
Ordering information	
Part number, 2 3/8" Pipe solutions	Description
SC-BKT-SLA-BR	Universal antenna sleeve - brown
SC-BKT-SLA-GR	Universal antenna sleeve - gray
SC-BKT-SLA-BL	Universal antenna sleeve - black
SC-BKT-SLA-SL	Universal antenna sleeve - silver
Optional shrouds, CX series antenna sleeves (sold separately)	Description
SC-BKT-SHRCX-BR	Cable concealment shroud, CX series - brown
SC-BKT-SHRCX-GR	Cable concealment shroud, CX series - gray
SC-BKT-SHRCX-BL	Cable concealment shroud, CX series - black
SC-BKT-SHRCX-SL	Cable concealment shroud, CX series - silver

Steel Pole Mounting System

SC-BKT-SLA-XX

Mechanical Drawings: SC-BKT-SLA, Universal Antenna Sleeve

Item no.	Qty	Description
1	1	UNIVERSAL ANTENNA SLEEVE WELDMENT
2	1	SINGLE BOLT ADAPTER PLATE
3	6	SET SCREW, 5/16"-18UNC, CUP POINT, 5/16" LG, 18-8 SS
4	6	WASHER, FLAT, 5/16" 18-8 SS
5	6	NUT, NYLOCK, 5/16"-18UNC, 18-8 SS
6	1	NAMEPLATE, LABEL, ADHESIVE-BACKED
7	1	CORROSION-RESISTANT ANTI-SEIZE LUBRICANT 0.14 oz



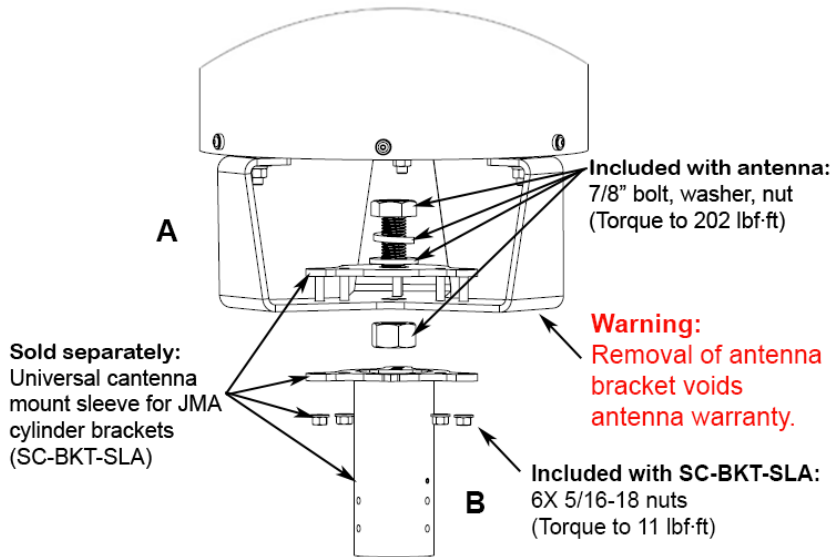
Steel Pole Mounting System

SC-BKT-SLA-XX

CX Antenna Mounting Details

To mitigate potential risk of PIM issues, the recommended torque values specified below need to be applied.

Variant 1



Variant 2

