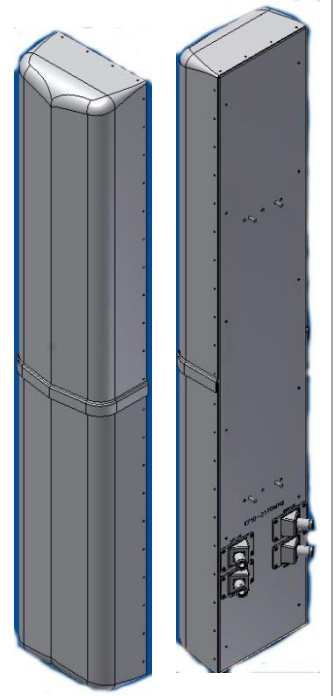


## XAP-MB-630

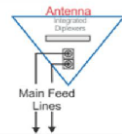
X-Pol Multi-Beam Antenna, 1710-2170 MHz, 30° Azimuth

- Sector Splitting Macro Antenna
- Forms 2 independent X Pol 30° Beam
- High Isolation Between Beams
- Ultra High Gain
- Six Sector Site With 3 Antenna



### Available with Integrated Diplexers

- Reduces mainline cables
- Eliminates external devices



## ELECTRICAL SPECIFICATIONS

Frequency Band, MHz	1710-1850	1850-1990	1990-2170
Horizontal Beamwidth, 3dB points	31°	30°	29°
Gain, dBi	19	20.1	20.5
Vertical Beamwidth, 3dB points	5°	5°	4.8°
Front-to-Back at 180°, dB	30	30	30
Polarization	+/-45°		
Electrical Downtilt	0°-6° or 4°-10°		
VSWR/Return Loss, dB, Maximum	1.5:1/-14.0		
Isolation Between Ports, dB, Minimum	-30		
Intermodulation (2x20w), IM3, dBc, Maximum	-150		
Impedance, ohms	50		
Maximum Power Per Connector, CW	250 @ 1900 Mhz		
Lightning Protection	DC Ground		

## MECHANICAL SPECIFICATIONS

Dimensions, Length/Width/Depth	72.0/12.5/7.1in (1829/318/183mm)
Connector (Quantity) Type	(4 or 8) 7-16 DIN Female
Connector Torque	220-265 lbf-in (25-30 N-m)
Connector Location	Back
Antenna Weight	
Bracket Weight	13.2 lb (7 kg)
Standard Bracket Kit	
Mechanical Downtilt Range	
Radome Material	Polyester Fibreglass
Wind Survival	140 mph (225 km/h)
Front Wind Load	177.4 lbf (788 N) @100mph
Equivalent Flat Plate	3.6 sq-ft (c=2) @ 100mph

## RET INFORMATION

Model	CSS-RET-200
Mounting Location	Rear of Antenna
Weight	1.2 lb (0.54 kg)
Communication Standard	AISG 2.0
Control System	CSS-PCU-220

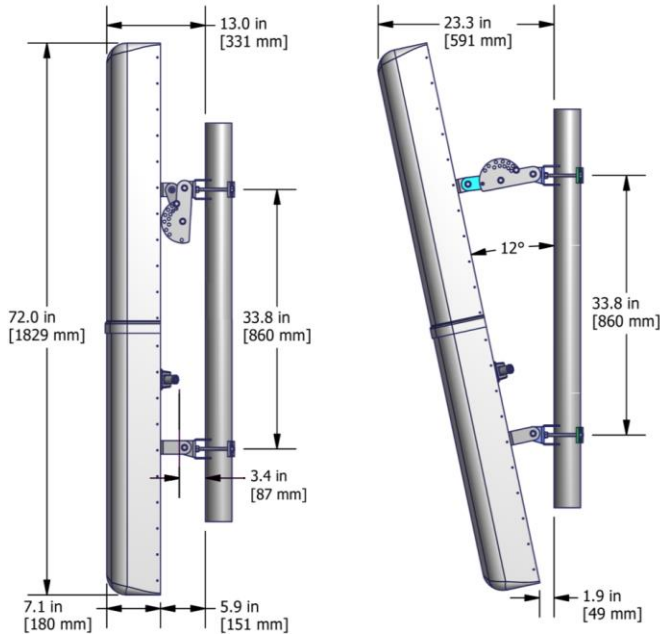


## ORDER INFORMATION

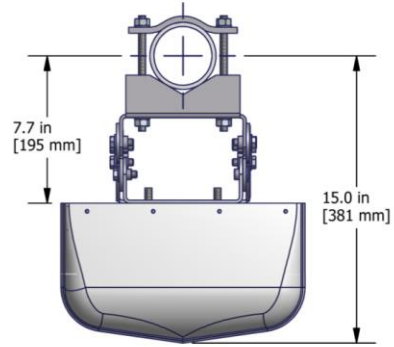
MODEL	DESCRIPTION
XA-MB-630	

## Mechanical Outline Drawing

### Standard Bracket Kit

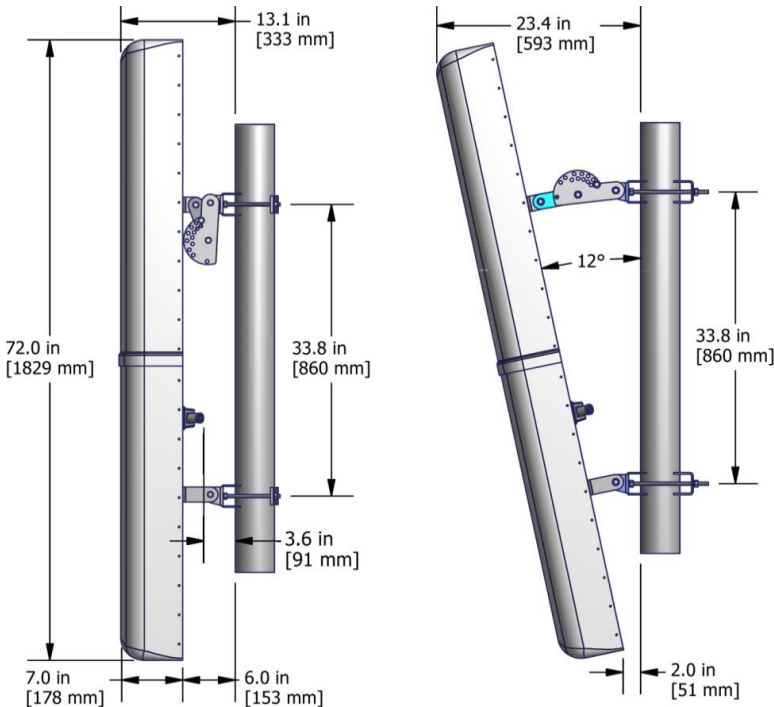


STANDARD (0-12 DEG MDT)  
 CSS P/N: 919011  
 (SHOWN MOUNTED ON 3.5" O.D. POLE 3.5" O.D. MAX)

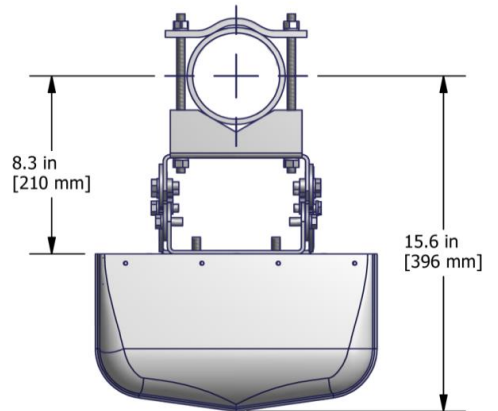


NOTE: DIMENSIONS ARE FOR REFERENCE ONLY.  
 MAY VARY WITH POLE O.D.

### Optional Bracket Kit



OVERSIZED (0-12 DEG MDT)  
 CSS P/N: 919036  
 (SHOWN MOUNTED ON 4.5" O.D. POLE 4.5" O.D. MAX)



NOTE: DIMENSIONS ARE FOR REFERENCE ONLY.  
 MAY VARY WITH POLE O.D.