

Rev.	Description	EC number
A	Release	

IV0XOMI136 Antenna

Instructions for ceiling-mount antenna



JMA Wireless World
Headquarters

7645 Henry Clay Boulevard
Liverpool, NY 13088
USA

www.jmawireless.com
+1 888-201-6073



This is the installation guide for the IV0XOMI136 ceiling-mount antenna.

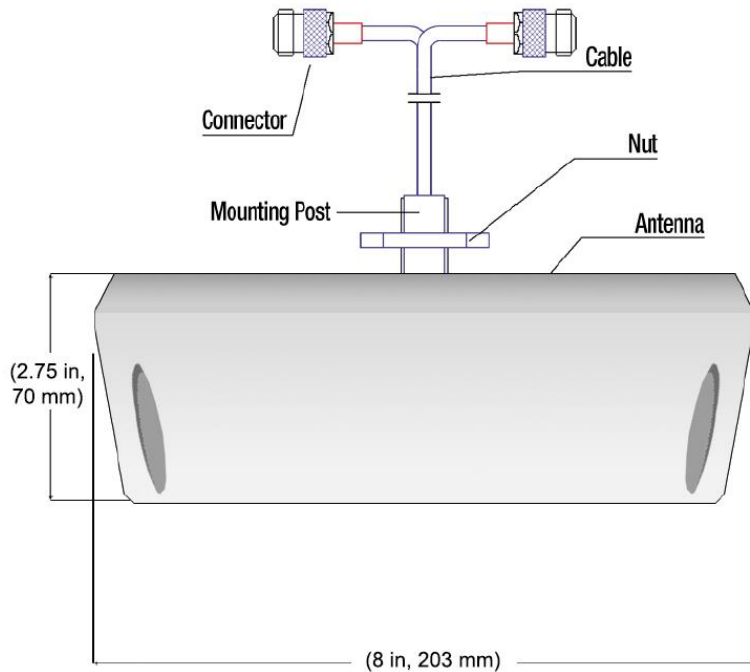


Figure 1: IV0XOMI136 antenna

Description	Qty.
IV0XOMI136 ceiling-mount antenna	1
Hardware for ceiling greater than 1-5/8" thick	
M4 x 50 mm self-tapping screws	3
Toggle anchors	3
Screw caps	3

Safety
The antenna and all associated equipment should be installed with all applicable local and national electrical code guidelines to ensure safe operation.
Precaution
<p>For best PIM results:</p> <ul style="list-style-type: none"> • Make sure the connectors are clean and free from any metal flakes/dirt, and tighten the connectors using torque wrench. • Avoid extreme bending to the cable. • During installation of the antenna, both cables should not be crossing one another. • Do not remove the dust cap from connectors when not in use.

The assembly instructions for ceiling up to 1-1/2" thick.

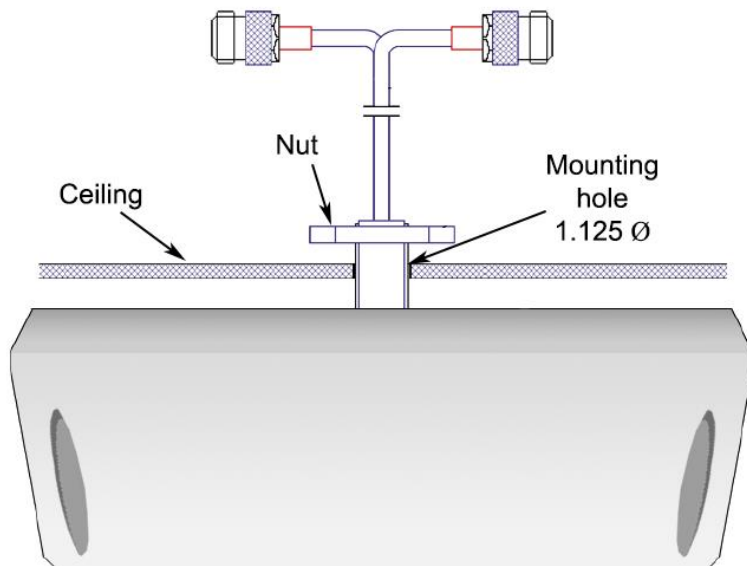


Figure 2: Antenna assembly in ceiling up to 1-1/2" thickness

Instructions:

Make 1 1/4" hole in the ceiling. Insert antenna mounting post, cable, and connectors through the hole and secure with nut. Tighten the nut so that the antenna sits flush with the bottom of the ceiling.

4

The assembly instructions for ceiling greater than 1-5/8" thick.

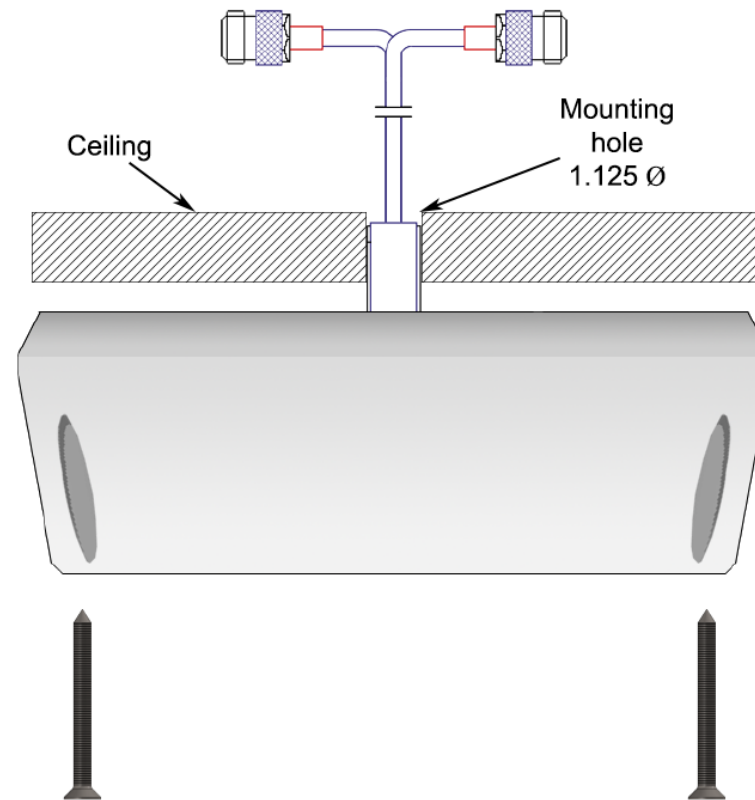


Figure 3: Antenna assembly in ceiling greater than 1-5/8" thick.

Instructions:

Make 1 1/4" hole in the ceiling. Insert antenna mounting post, cable, and connectors through the hole. If the ceiling is thicker than 1-5/8", use optional hardware to mount. Secure screws into ceiling so that antenna sits flush.

5