



# Stadium Antenna (XGU-\* / DX-\* / SX-\*)

Weep hole modification guide

# Overview of weep hole additions

- To help create new weep holes on JMA stadium antennas (XGU-\*, DX-\*, and SX-\* models), this guide was created for alterations made directly in the field.
- Because there are many potential tilt and install angles, this guide allows for on-the-spot judgments to be made about where the ideal placement for new weep holes may be – this guide will help avoid damage to the antenna itself while drilling new holes.
- This guide includes:
  - 1) A guideline of key parameters for drilling new weep holes into the stadium antennas, including widths for new holes, clearance for drill depth, etc.
  - 2) A drawing of the front of the stadium antenna, showing what areas on the radome should be avoided when drilling, since elements of the antenna could be damaged.
- SX antennas can either be mounted vertically or horizontally. As such, weep holes are **required** to be drilled on site, prior to installation, dependent on the antenna orientation.

# Key details for drilling weep holes

		Notes
<b>Hole diameter</b>		Hole should be created using single drill with a 1/8" bit.
<b># of weep holes</b>		Minimum of 4 weep holes nearest to the low point as possible
<b>Drill depth</b>		Drill has to go only 1/4" deep; drill a complete hole in the Radome (the Radome is only .100" thick).
<b>Re-sealing holes</b>		Recommended to use outdoor Silicone to seal the existing weep holes that will not be needed.
<b>Considerations</b>	<b>Hard stop</b>	Setting a 1/4" hard stop on the drill bit is encouraged to limit risk of over-drilling.
	<b>Danger zones</b>	If it is required to drill in highlighted danger zones, the maximum clearance is 1/4".
	<b>Side of radome</b>	There are no danger zones if drilling from side of radome, but drilling should be limited to 1/4" to reduce risk.

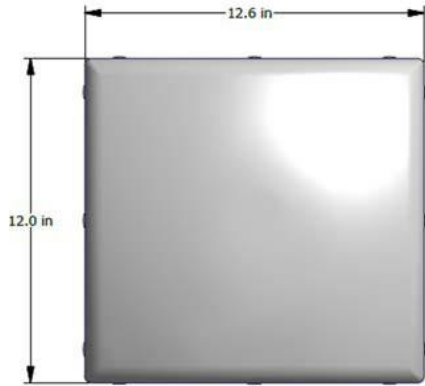
# Stadium antenna guide table of contents

Model number	Page
XGU-165-I	5
XGU-FRO-124-I	6
XGU-FRO-128-I	7
XGU-FRO-130-I	8
XGU-FRO-230-I	9
XGU-465-I	10
DX10FRO260	11
DX12FRO260	12
SX08FRO128	13
SX08FRO230	9
SX10FRO165	14

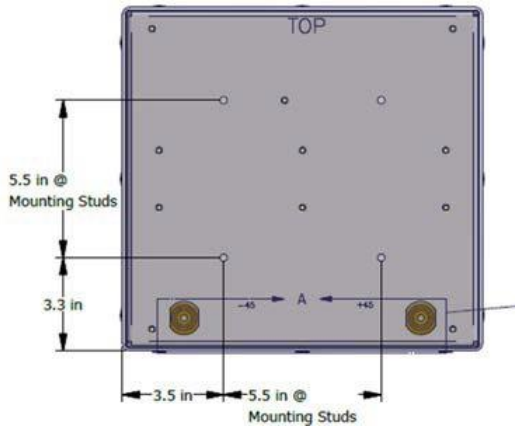
# XGU-165-I weep hole modifications

## Specs of antenna

### Top of antenna

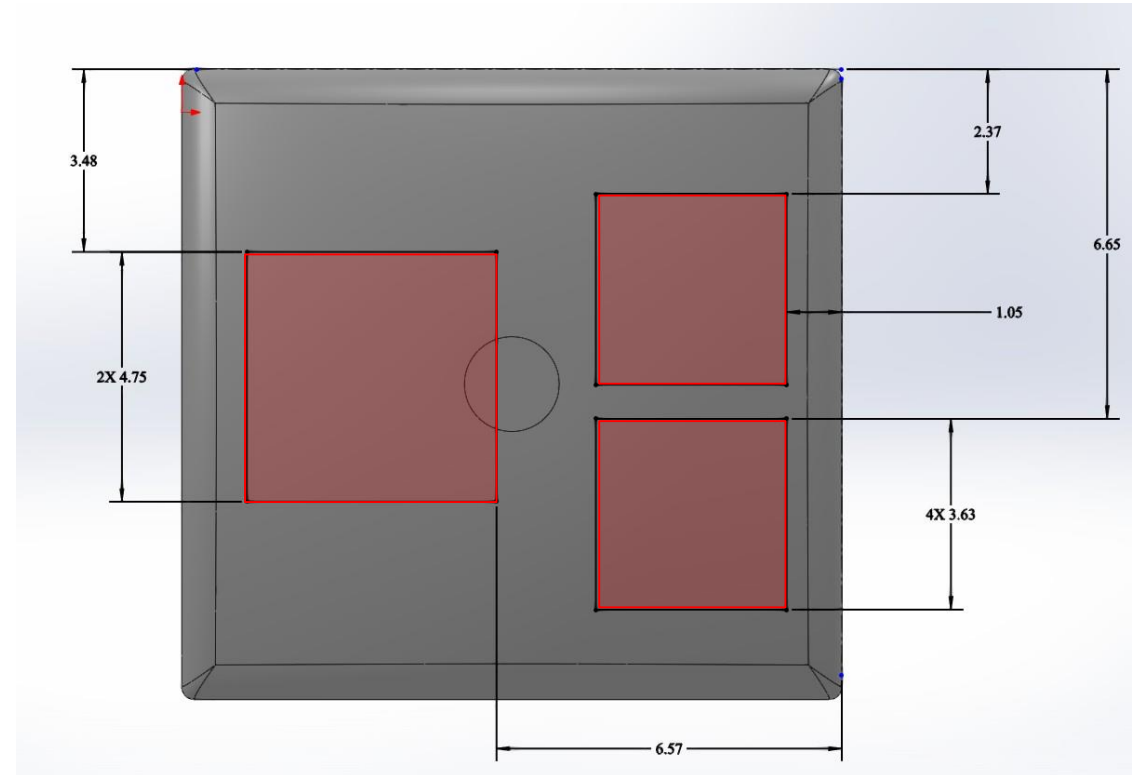


### Top of antenna



## Danger zones for drilling – showing front of radome

### Top of antenna



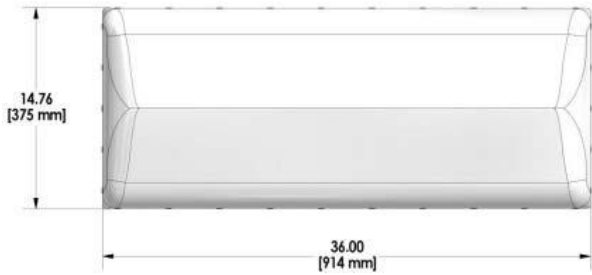
**Danger zone –**  
Advised to not  
drill within  
these borders

# XGU-FRO-124-I weep hole modifications

## Specs of antenna

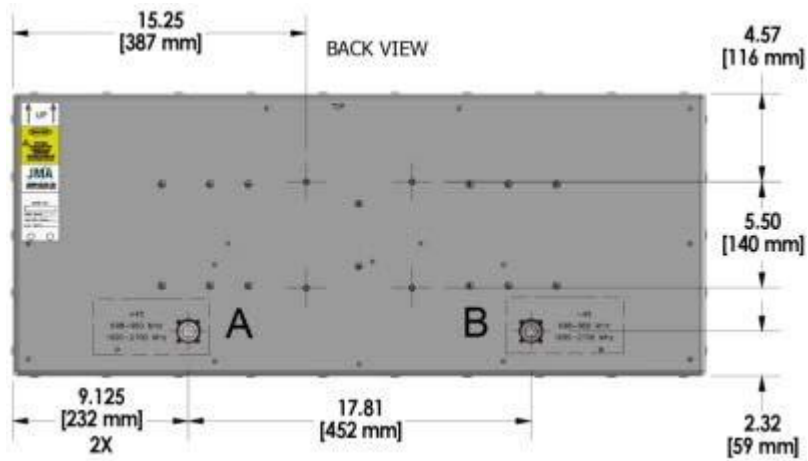
### Top of antenna

#### Front view



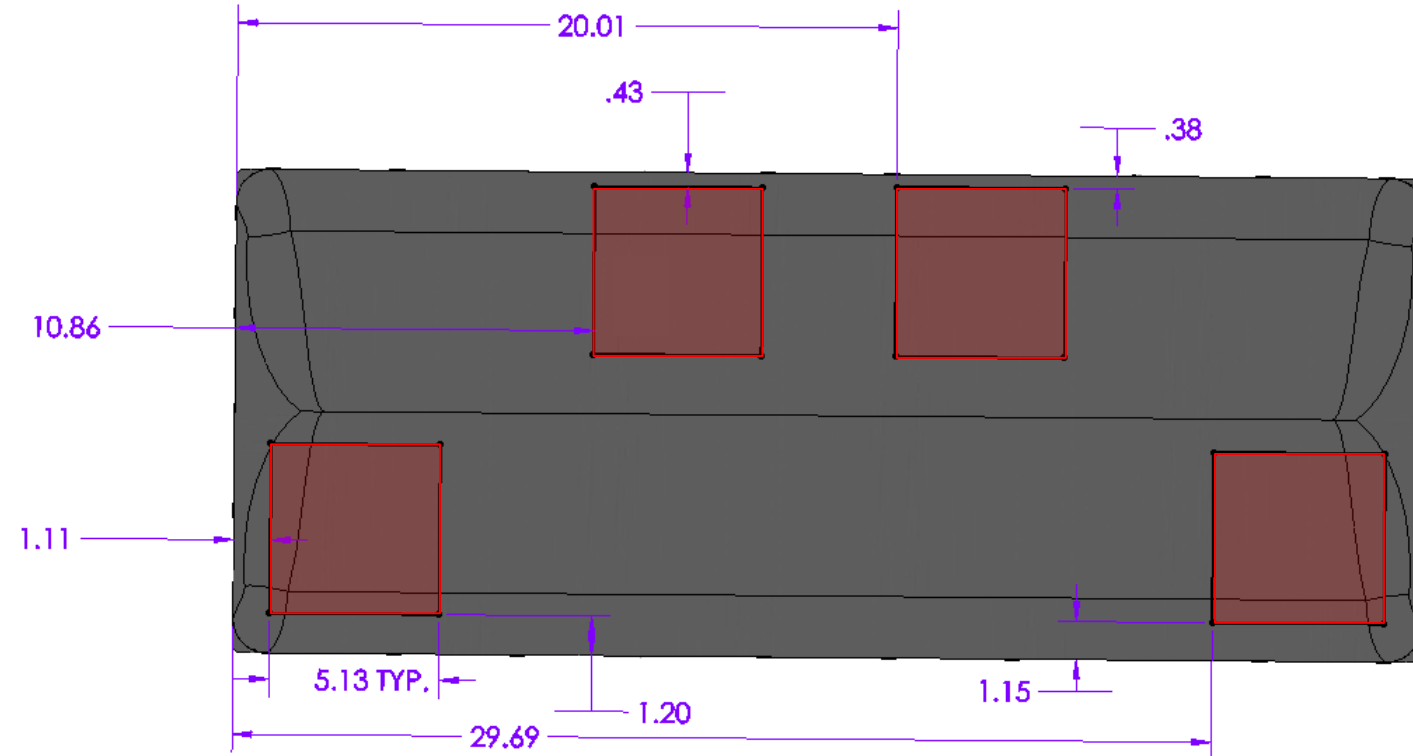
### Top of antenna

#### Back view



## Danger zones for drilling – showing front of radome

### Top of antenna



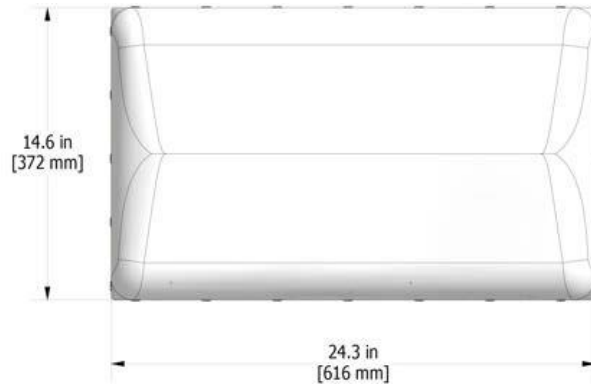
**Danger zone –**  
Advised to not  
drill within  
these borders

# XGU-FRO-128-I weep hole modifications

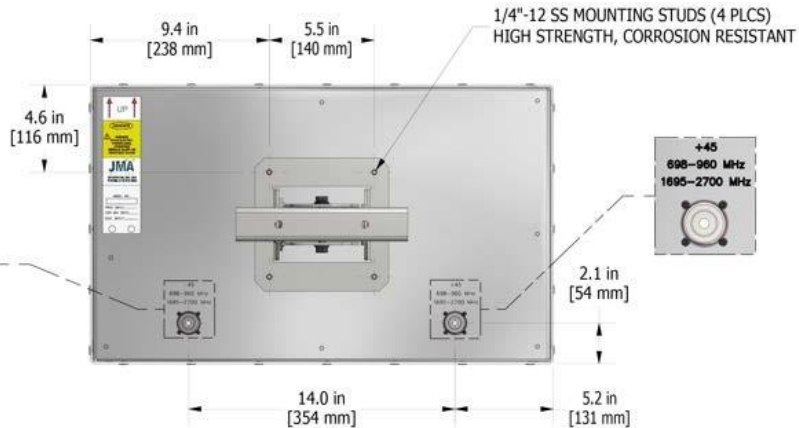
## Specs of antenna

### Top of antenna

### Front view

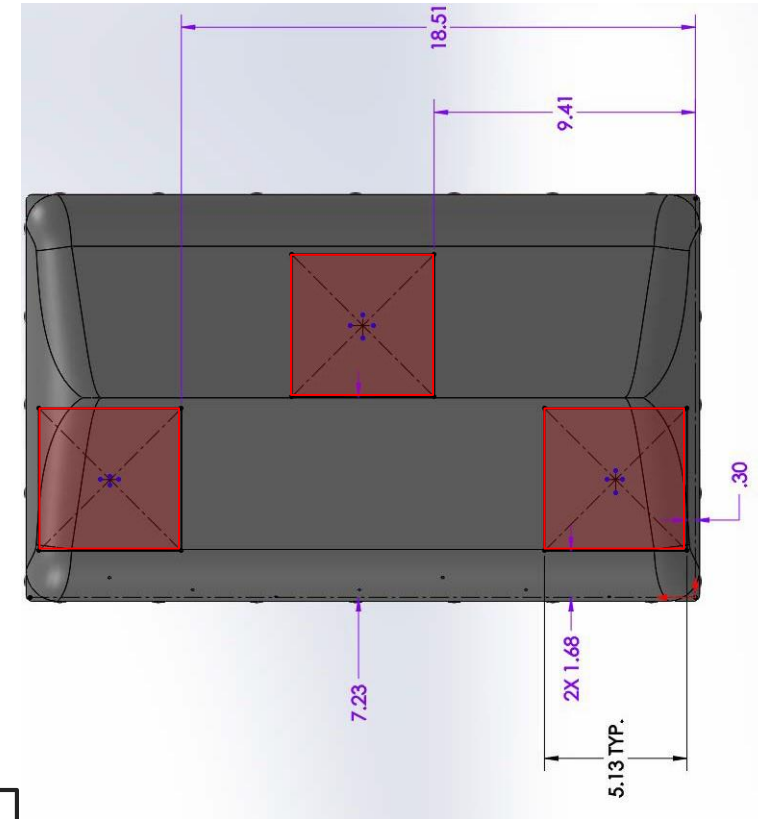


### Top of antenna



## Danger zones for drilling – showing front of radome

### Top of antenna



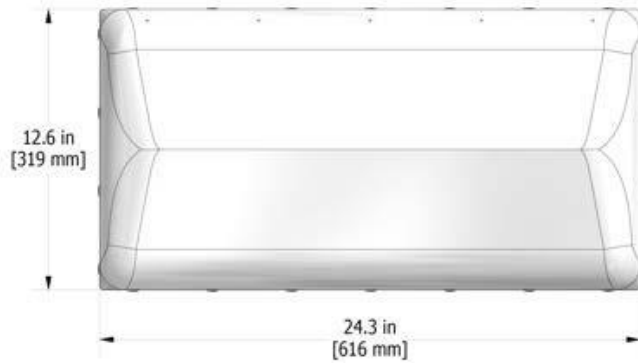
**Danger zone –**  
Advised to not  
drill within  
these borders

# XGU-FRO-130-I weep hole modifications

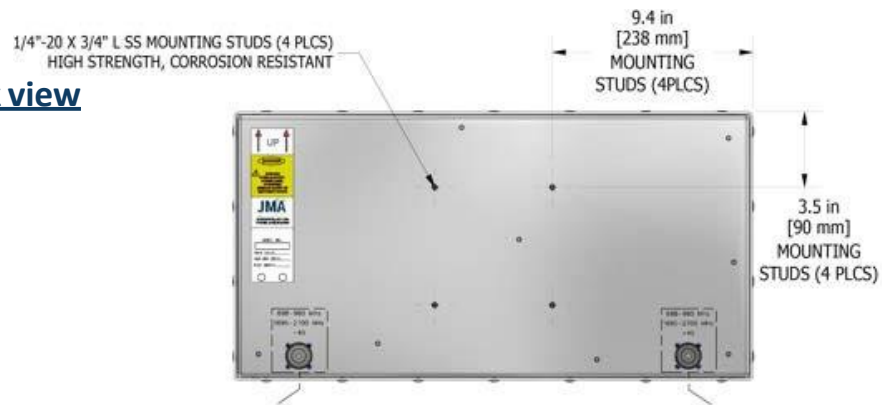
## Specs of antenna

### Top of antenna

### Front view

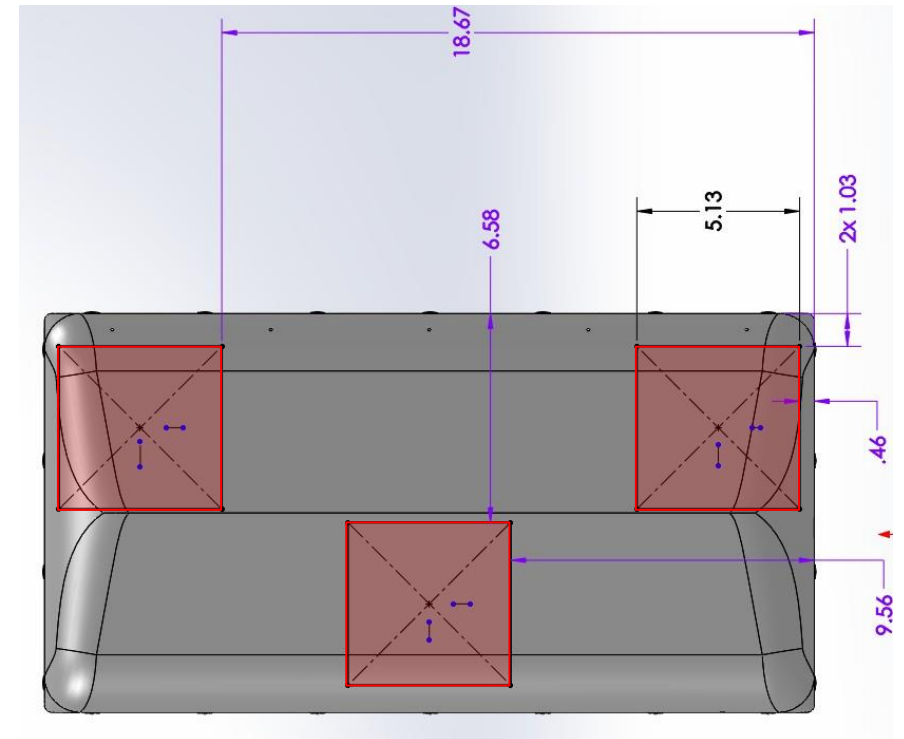


### Top of antenna



## Danger zones for drilling – showing front of radome

### Top of antenna



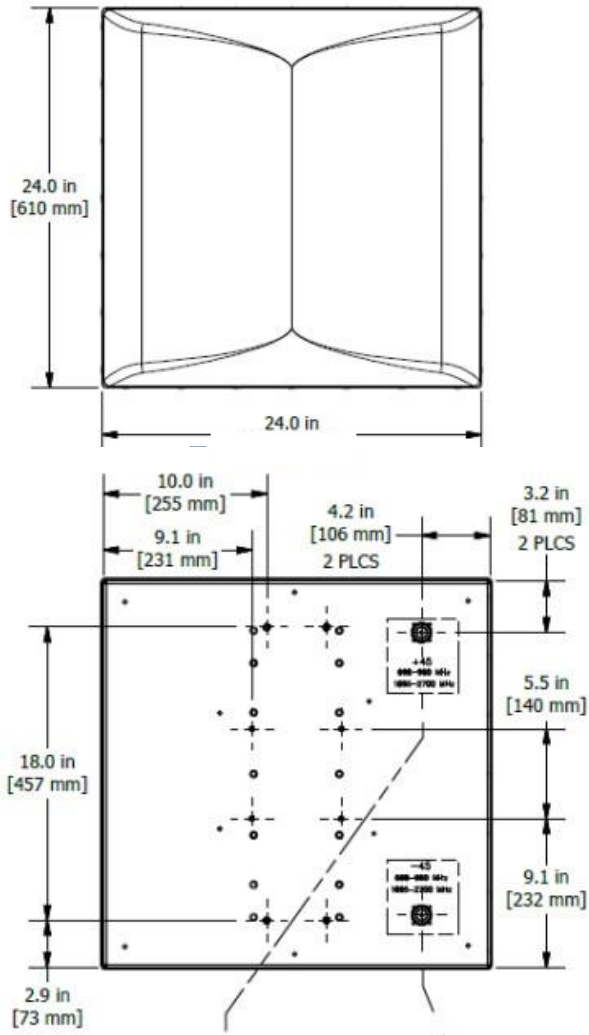
**Danger zone –**  
Advised to not  
drill within  
these borders



# XGU-FRO-230-I, SX08FRO230 weep hole modifications

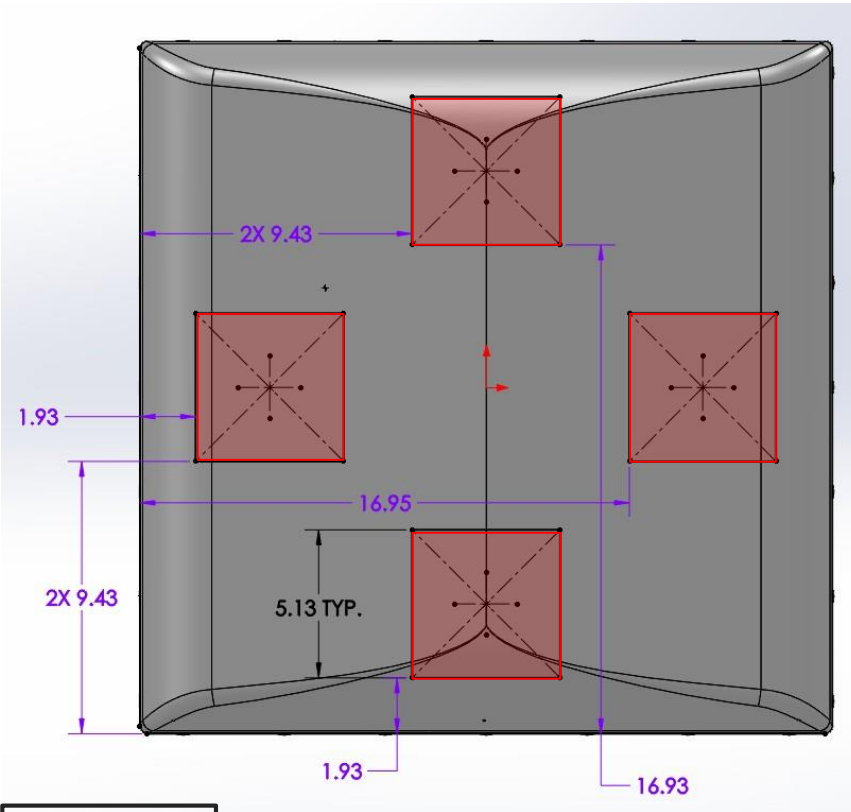
## Specs of antenna

### Top of antenna



## Danger zones for drilling – showing front of radome

### Top of antenna



**Danger zone –**  
Advised to not  
drill within  
these borders

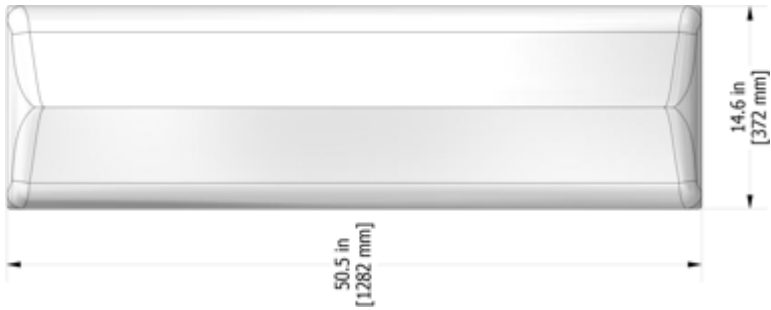
XGU-FRO-230-I shown for  
reference

# XGU-465-I weep hole modifications

## Specs of antenna

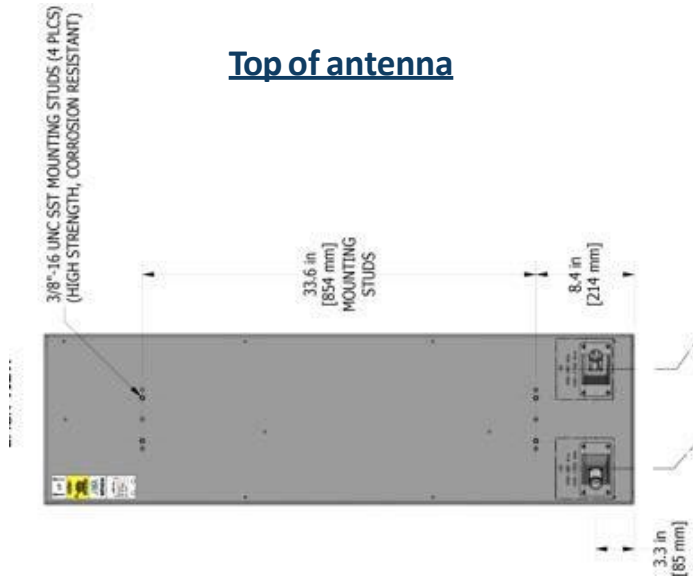
### Top of antenna

#### Front view



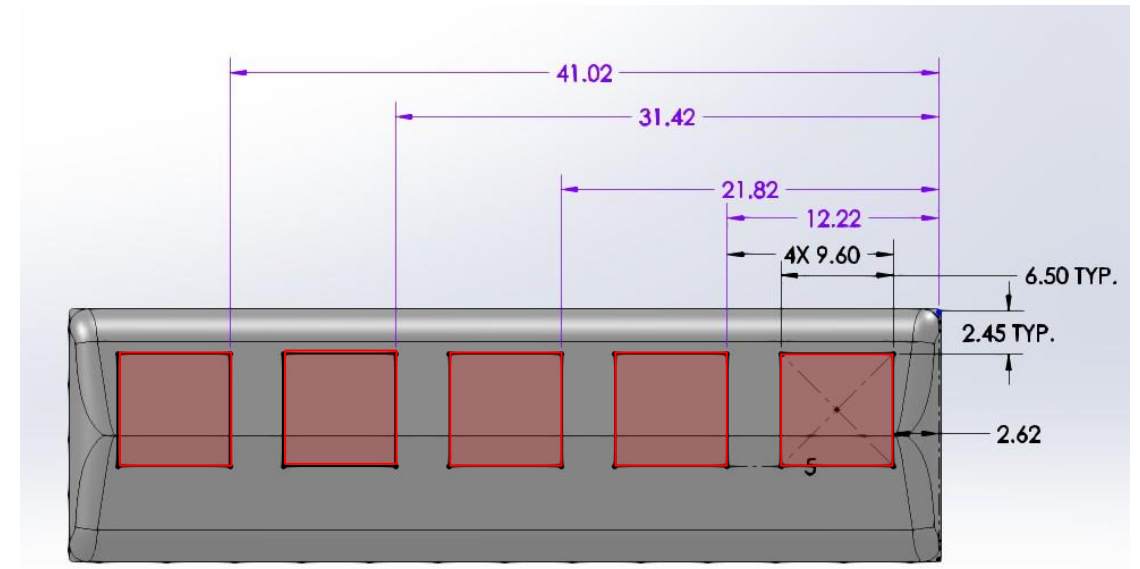
### Top of antenna

#### Back view



## Danger zones for drilling – showing front of radome

### Top of antenna



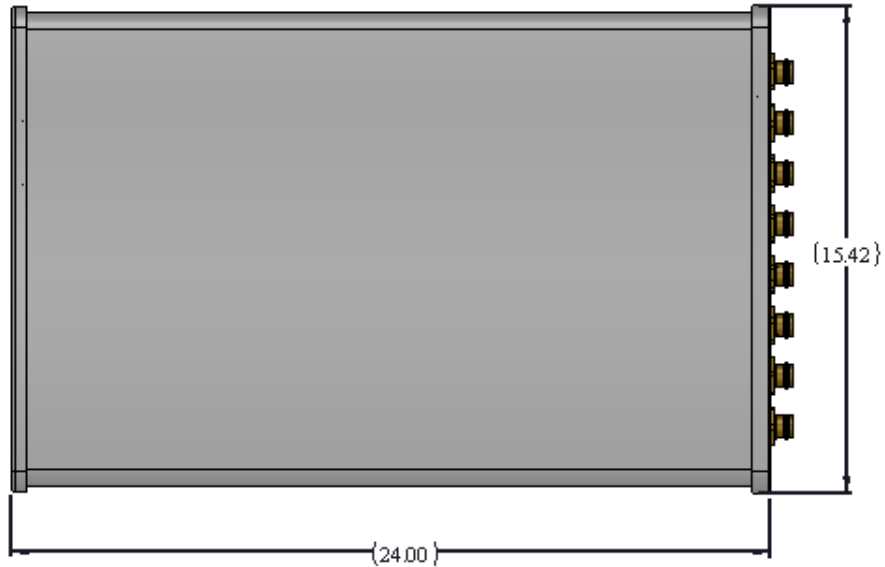
**Danger zone –**  
Advised to not  
drill within  
these borders

# DX10FRO260 weep hole modifications

## Specs of antenna

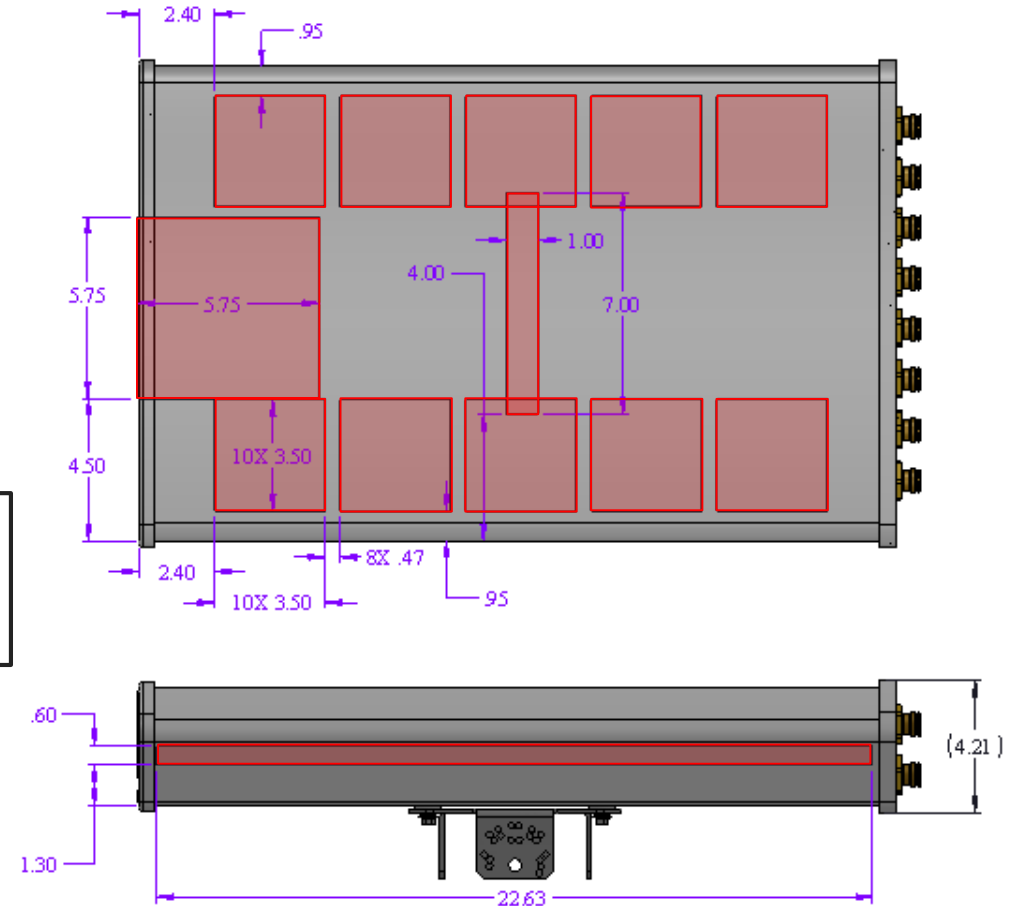
### Top of antenna

Front view



## Danger zones for drilling – showing front of radome

### Top of antenna



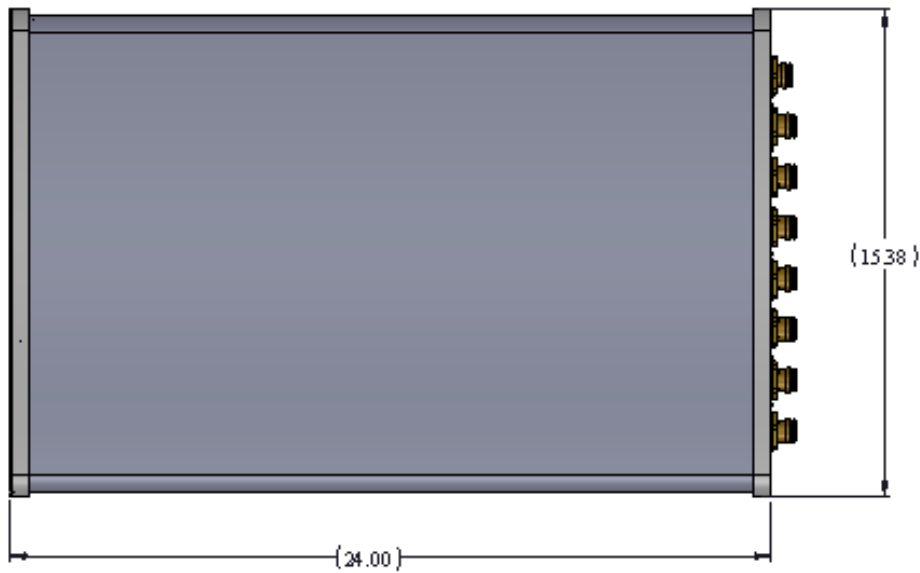
**Danger zones –**  
Advised to not  
drill within  
these borders

# DX12FRO260 weep hole modifications

## Specs of antenna

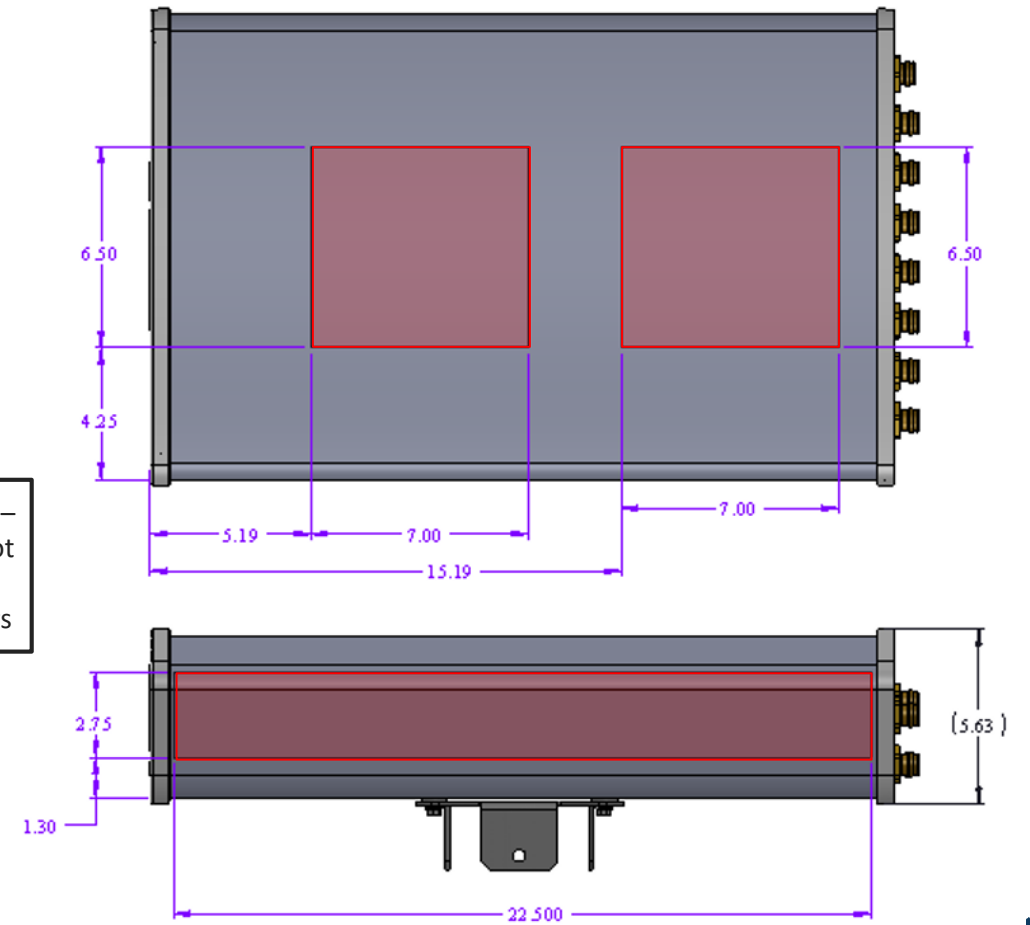
### Top of antenna

#### Front view



## Danger zones for drilling – showing front of radome

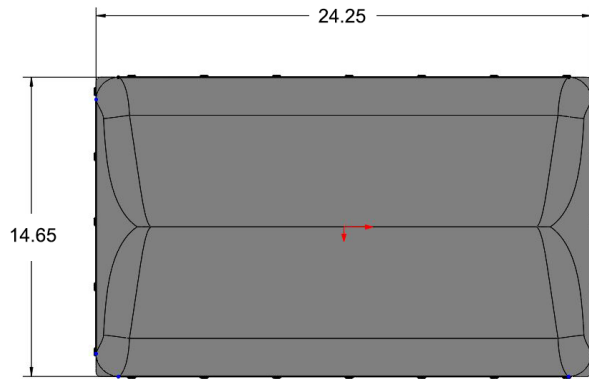
### Top of antenna



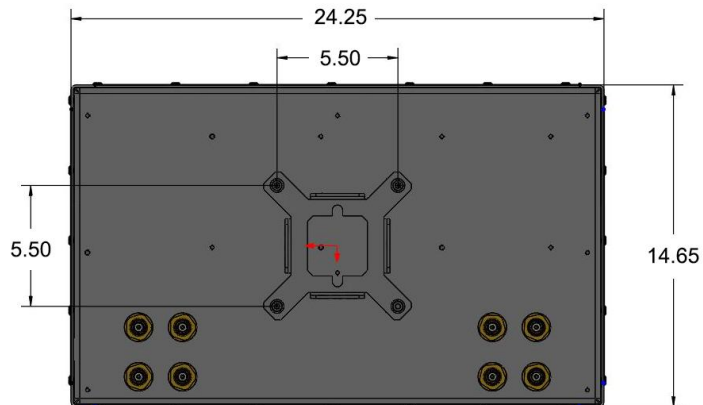
# SX08FRO128 weep hole modifications

## Specs of antenna

### Top of antenna

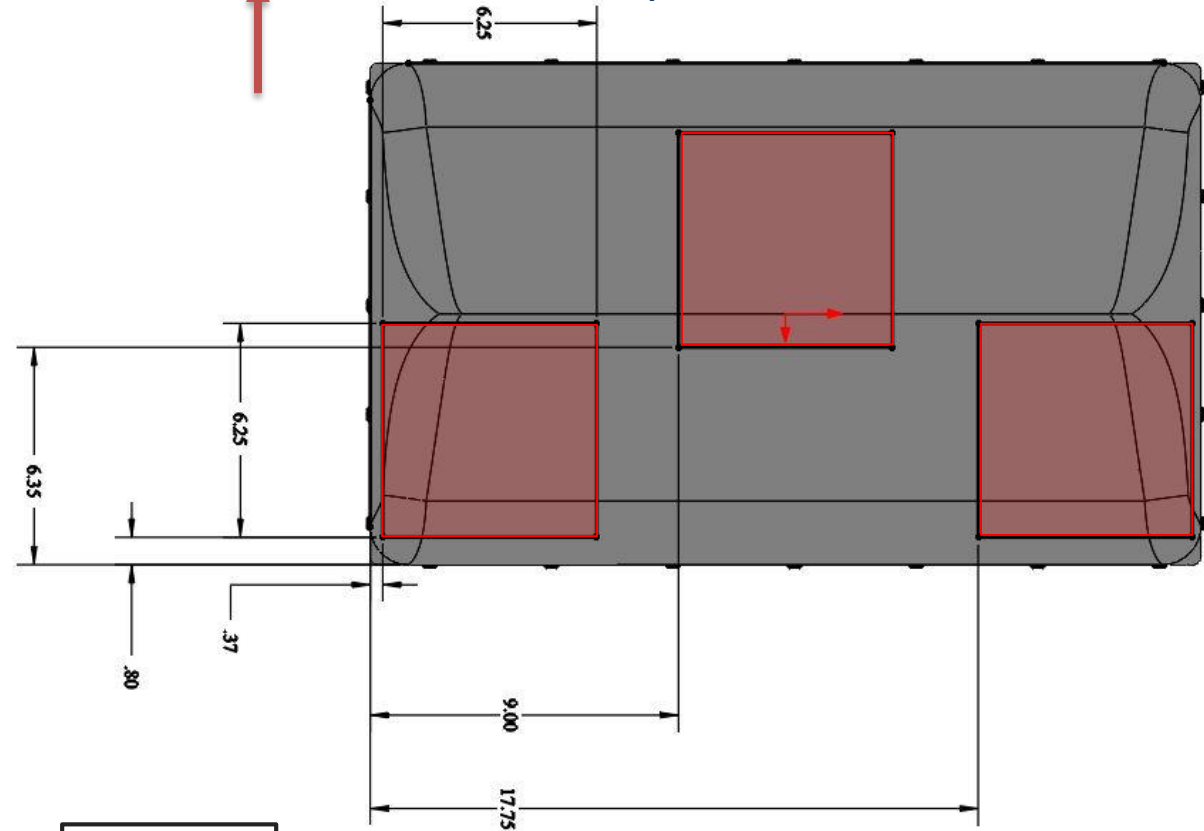


### Top of antenna



## Danger zones for drilling – showing front of radome

### Top of antenna

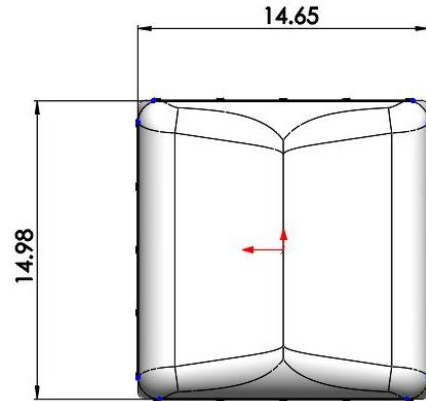


**Danger zone –**  
Advised to not  
drill within  
these borders

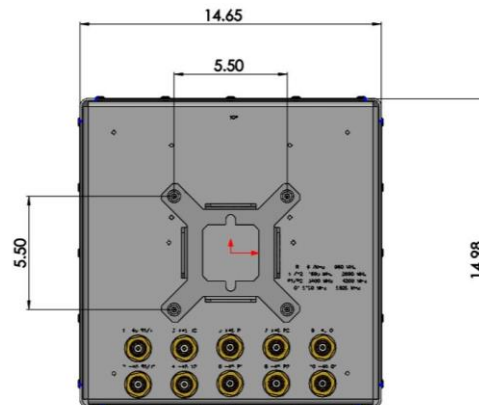
# SX10FRO165 weep hole modifications

## Specs of antenna

Top of antenna

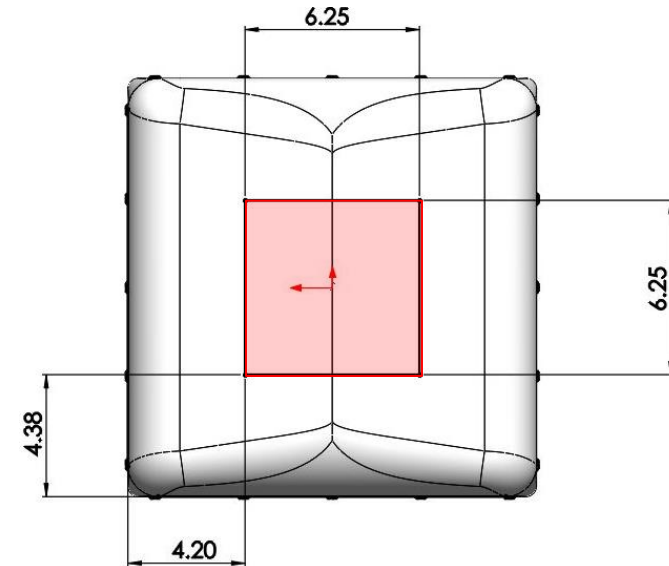


Top of antenna



## Danger zones for drilling – showing front of radome

Top of antenna



**Danger zone –**  
Advised to not  
drill within  
these borders

