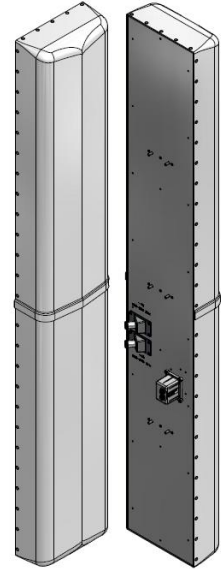


X-pol, 698-896 MHz, 96", fast roll-off 60° azimuth  
Variable E-tilt, RET

- Macro cell antenna
- Fast roll-off (FRO)
- Suitable for LTE/CDMA/UMTS/GSM
- AISG 2.0 RET control



### ELECTRICAL SPECIFICATIONS

Frequency band, MHz	698-824	824-896
Horizontal beamwidth, 3 dB points	60	57
Gain, dBi	17.2	17.9
Vertical beamwidth, 3 dB points	9.6	8.2
Front-to-back at 180°, dB	> 30	
Upper sidelobe suppression, typical, dB	18	
Polarization	+/-45°	
Electrical downtilt	0°-6° or 4°-10°	
VSWR / return loss, dB, maximum	1.5:1/-14.0	
VSWR / return loss, dB, maximum (with integrated diplexer)	1.6:1/-12.7	
Isolation between ports, dB, minimum	> 26	
Intermodulation (2 x 20 w), IM3, dBc	-150	
Impedance, ohms	50	
Maximum power per connector, CW (w)	500	

**MECHANICAL SPECIFICATIONS**

Dimensions, length/width/depth	96.0/15.0/7.3 in. (2438/372/209 mm)
Connector (quantity) type	(2 or 4) 7-16 DIN female
Connector torque	220-265 lbf·in (23-30 N·m)
Connector location	Back
Antenna weight	48.5 lb
Bracket weight	18.2 lb (6.0 kg)
Standard bracket kit	P/N 919032 (included)
Mechanical downtilt range	0-6° or 4-10°
Radome material	High strength Luran®, UV stabilized, ASTM D1925
Wind survival	150 mph (241 km/h)
Front wind load @ 100 mph	272.9 lbf (1214.2 N)
Equivalent Flat Plate @ 100 mph	5.45 sq ft (c=2)

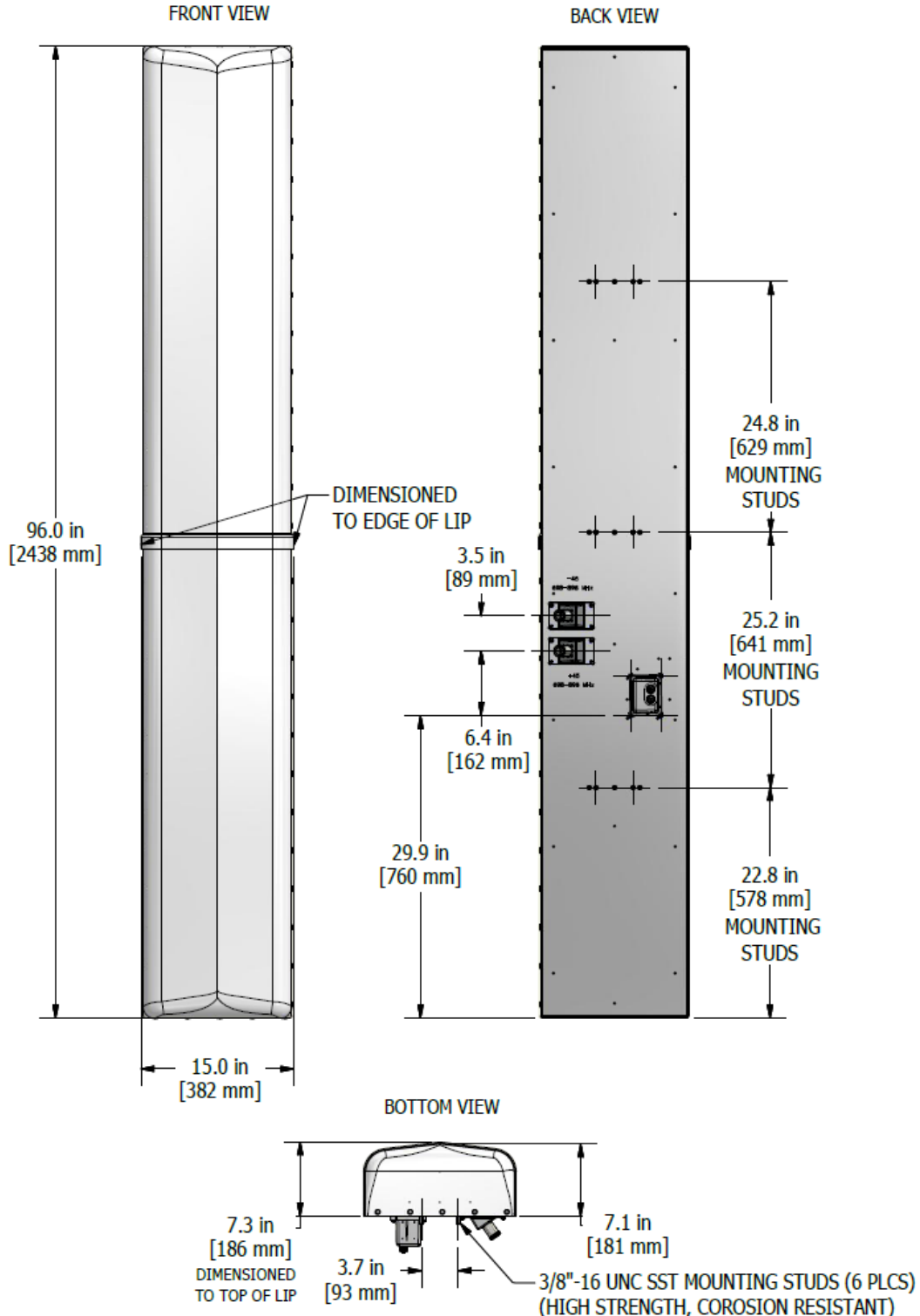
**RET INFORMATION**

Model	RET-200
Mounting location	Rear of antenna
Weight	1.2 lb (0.54 kg)
Communication standard	AISG 2.0
Control system	PCU-1000

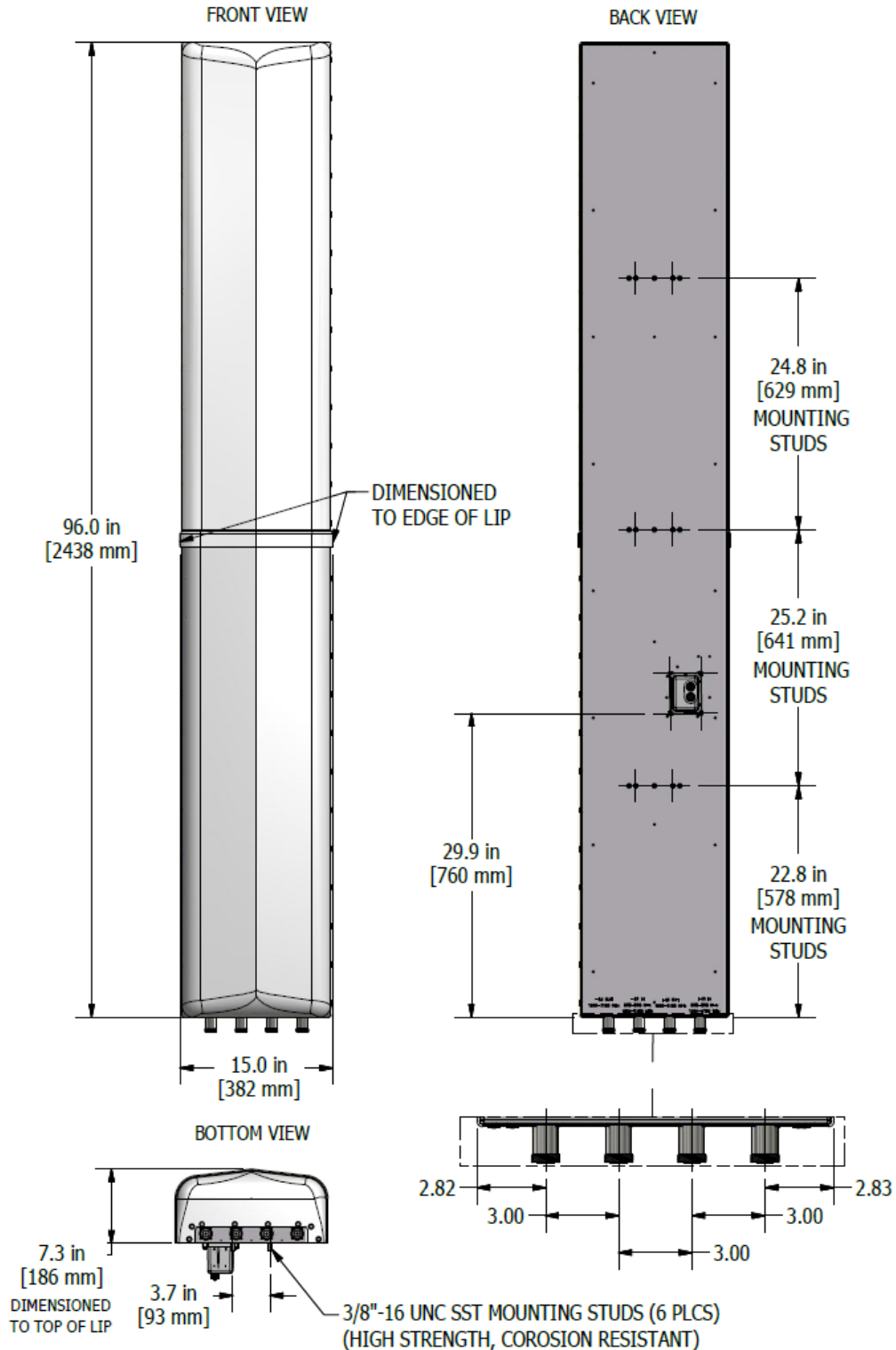
**ORDER INFORMATION**

MODEL	DESCRIPTION
X7C-FRO-860-VR0	Antenna with remote RET adjust electrical downtilt 0-6°
X7C-FRO-860-VR4	Antenna with remote RET adjust electrical downtilt 4-10°
919049	Optional Bracket Kit, 3-Point, 6 degree D-tilt, For 4.5" OD Pole

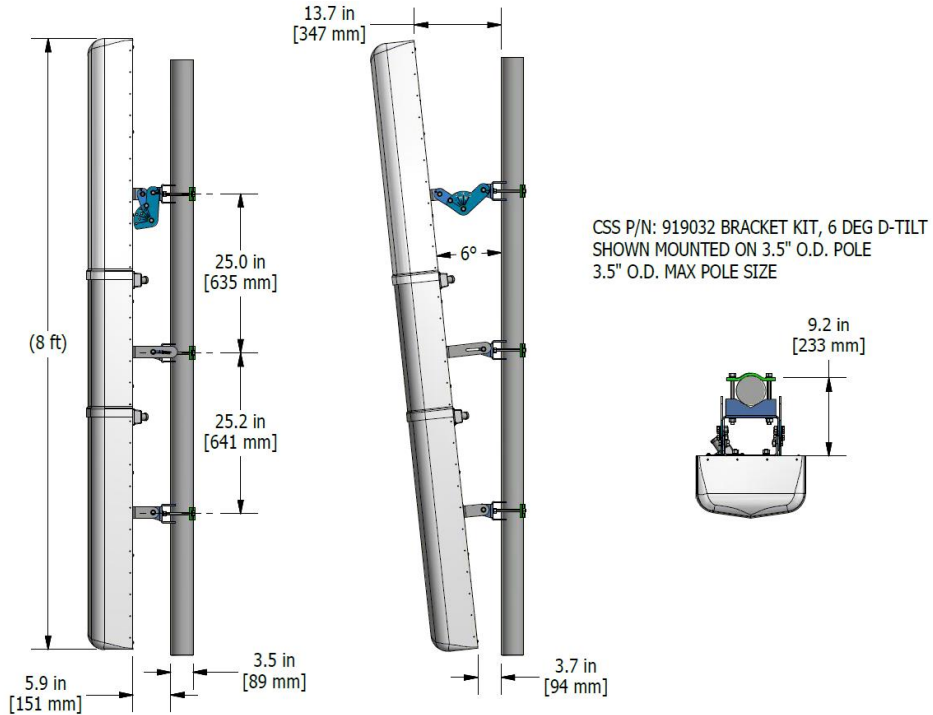
## Mechanical Outline Drawing: RET Version



## Mechanical Outline Drawing: RET IPB Version



## Standard Bracket Kit



## Optional Bracket Kit

