



Stadium Antenna (XGU-* / DX-* / SX-*)

Weep hole modification guide

Overview of weep hole additions

- To help create new weep holes on JMA stadium antennas (XGU-*, DX-*, and SX-* models), this guide was created for alterations made directly in the field.
- Because there are many potential tilt and install angles, this guide allows for on-the-spot judgments to be made about where the ideal placement for new weep holes may be – this guide will help avoid damage to the antenna itself while drilling new holes.
- This guide includes:
 - 1) A guideline of key parameters for drilling new weep holes into the stadium antennas, including widths for new holes, clearance for drill depth, etc.
 - 2) A drawing of the front of the stadium antenna, showing what areas on the radome should be avoided when drilling, since elements of the antenna could be damaged.

Key details for drilling weep holes

		Notes
Hole diameter		Hole should be created using single drill with a 1/8" bit.
# of weep holes		Minimum of 4 weep holes nearest to the low point as possible
Drill depth		Drill has to go only 1/4" deep; drill a complete hole in the Radome (the Radome is only .100" thick).
Re-sealing holes		Recommended to use outdoor Silicone to seal the existing weep holes that will not be needed.
Considerations	Hard stop	Setting a 1/4" hard stop on the drill bit is encouraged to limit risk of over-drilling.
	Danger zones	If it is required to drill in highlighted danger zones, the maximum clearance is 1/4".
	Side of radome	There are no danger zones if drilling from side of radome, but drilling should be limited to 1/4" to reduce risk.

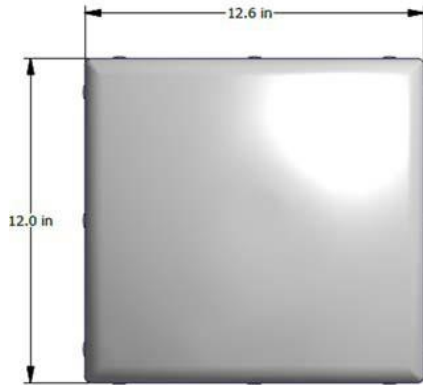
Stadium antenna guide table of contents

Model number	Page
XGU-165-I	5
XGU-FRO-124-I	6
XGU-FRO-128-I	7
XGU-FRO-130-I	8
XGU-FRO-230-I	9
XGU-465-I	10
DX10FRO260	11
DX12FRO260	12
SX08FRO128	13
SX08FRO230	9
SX10FRO165	14

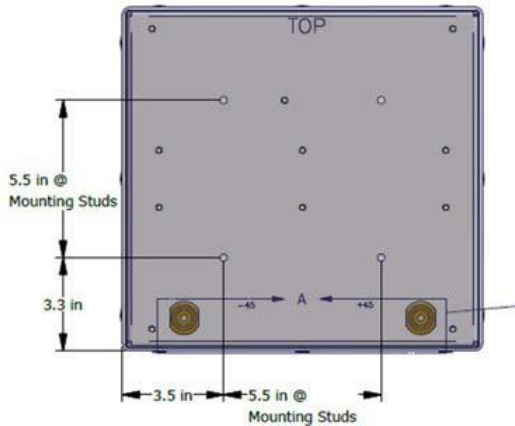
XGU-165-I weep hole modifications

Specs of antenna

Top of antenna

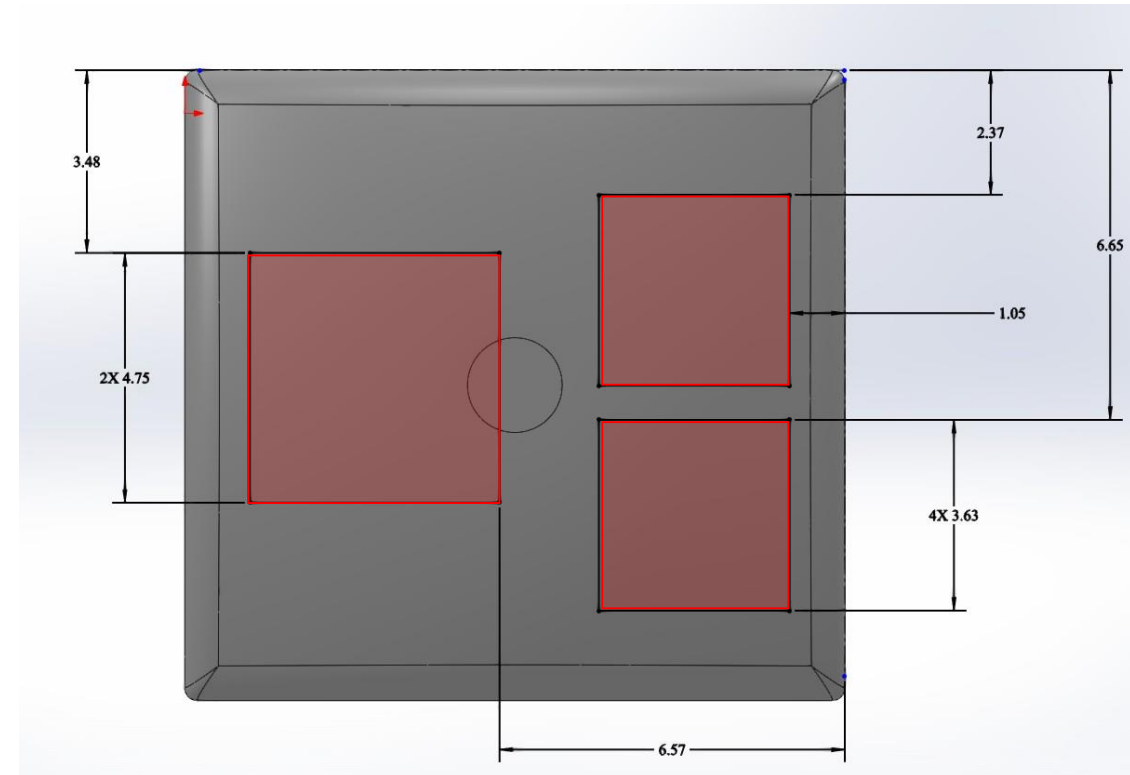


Top of antenna



Danger zones for drilling – showing front of radome

Top of antenna



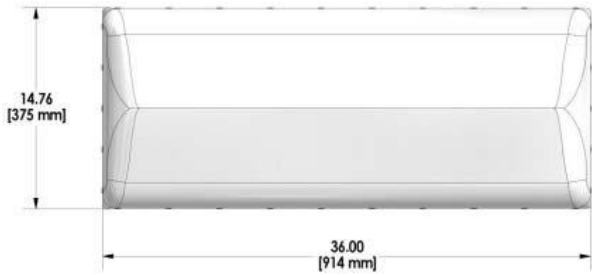
Danger zone –
Advised to not
drill within
these borders

XGU-FRO-124-I weep hole modifications

Specs of antenna

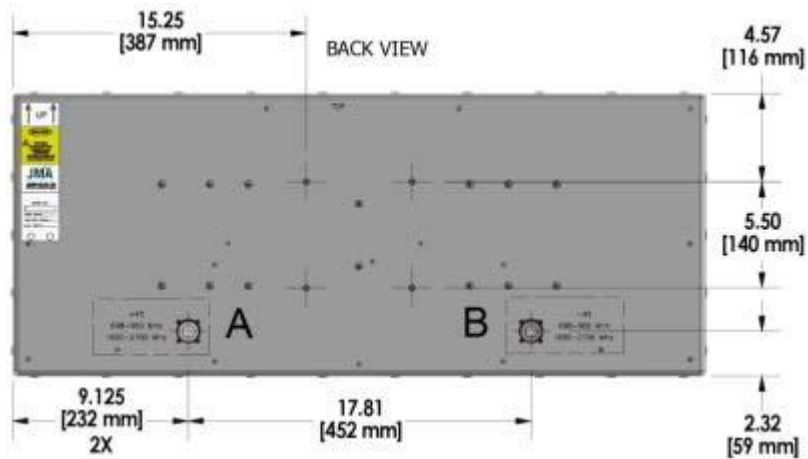
Top of antenna

Front view

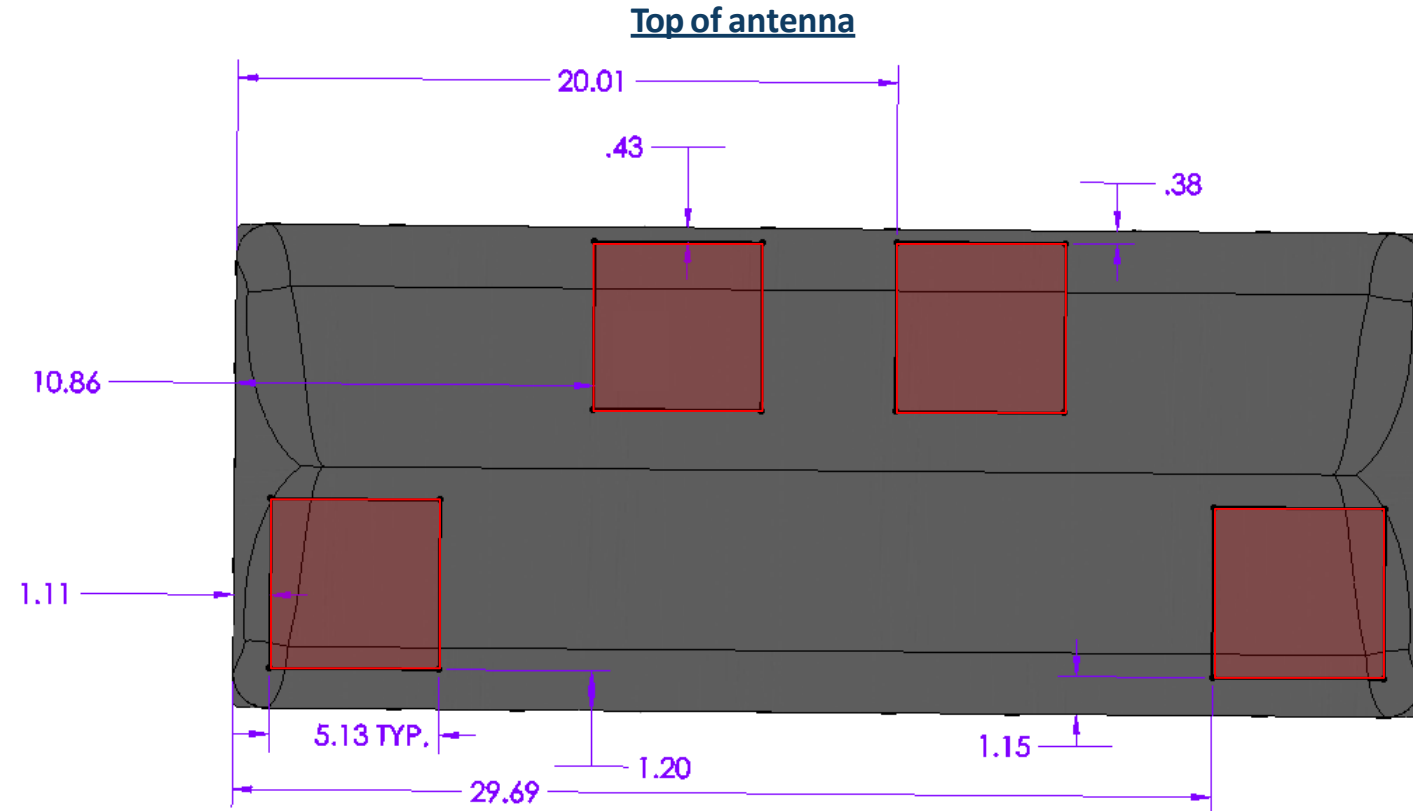


Top of antenna

Back view



Danger zones for drilling – showing front of radome



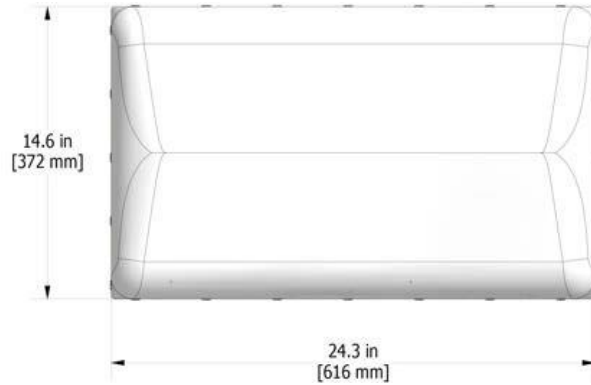
Danger zone –
Advised to not
drill within
these borders

XGU-FRO-128-I weep hole modifications

Specs of antenna

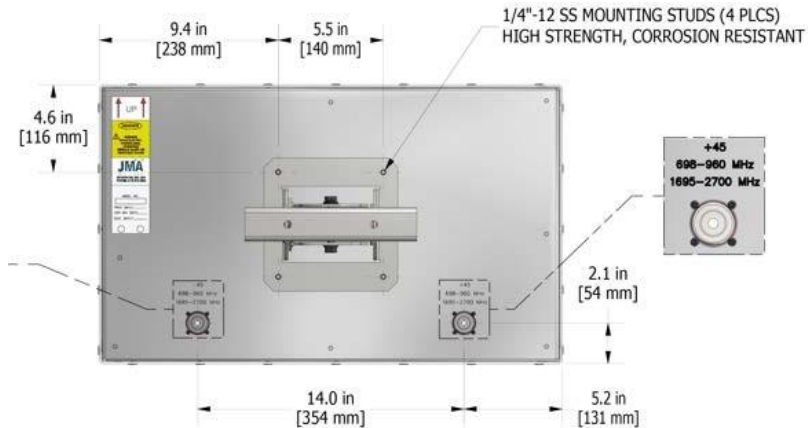
Top of antenna

Front view



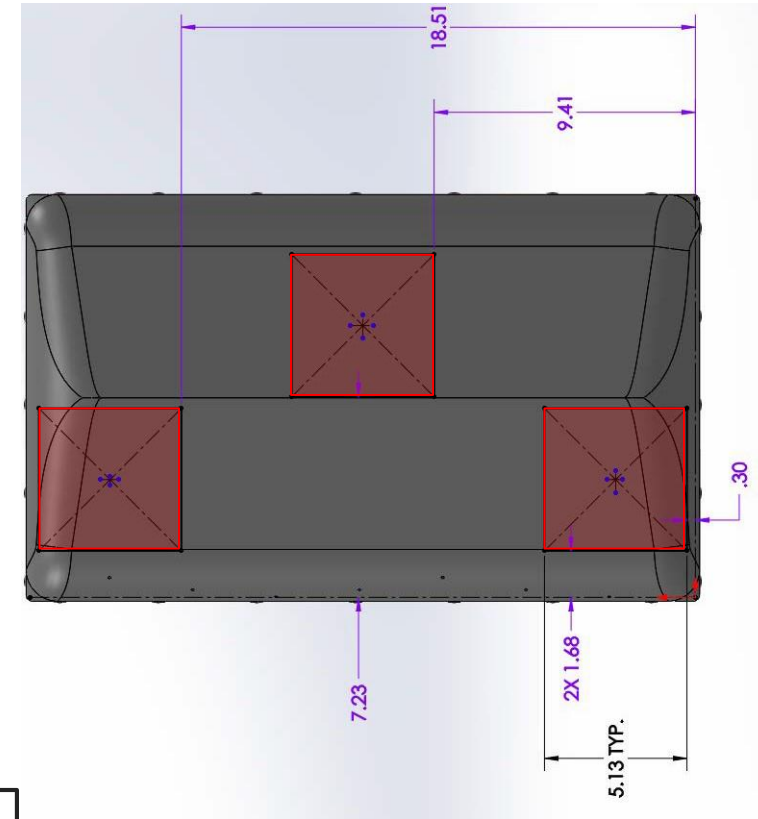
Top of antenna

Back view



Danger zones for drilling – showing front of radome

Top of antenna



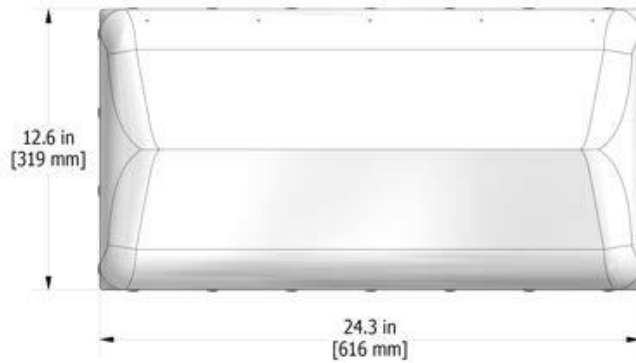
Danger zone –
Advised to not
drill within
these borders

XGU-FRO-130-I weep hole modifications

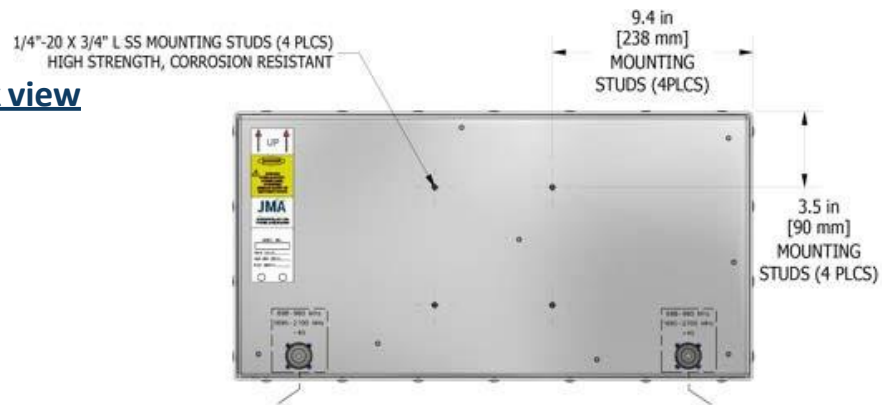
Specs of antenna

Top of antenna

Front view

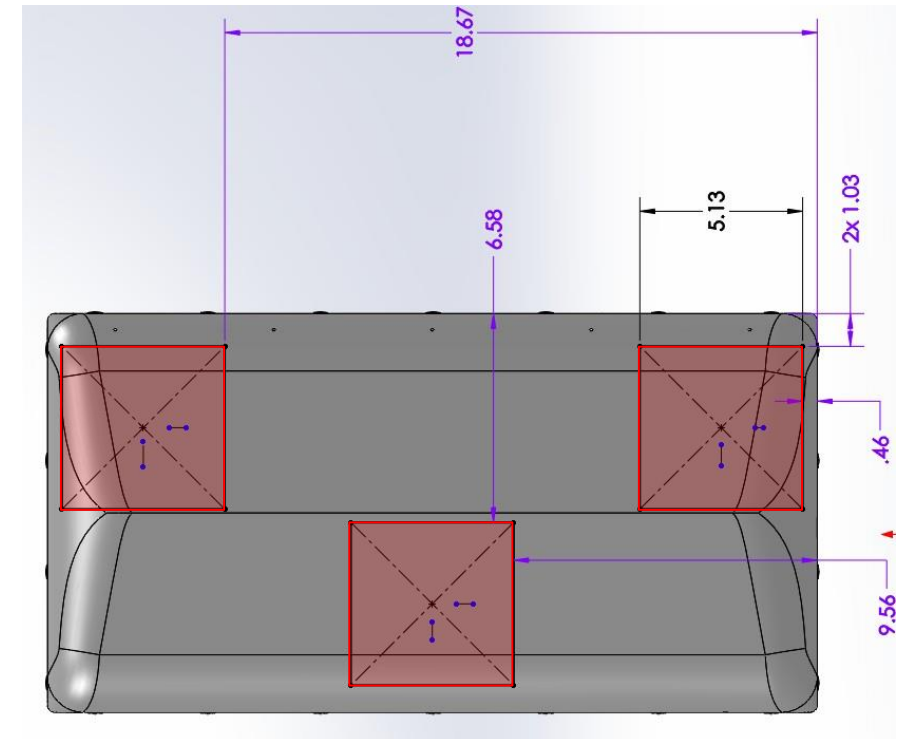


Top of antenna



Danger zones for drilling – showing front of radome

Top of antenna

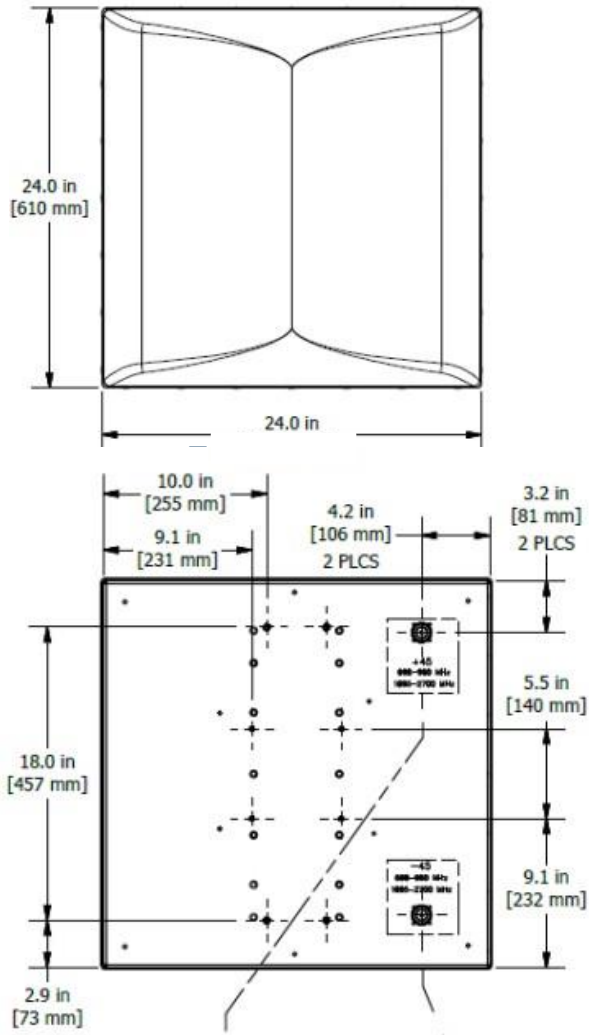


Danger zone –
Advised to not
drill within
these borders

XGU-FRO-230-I, SX08FRO230 weep hole modifications

Specs of antenna

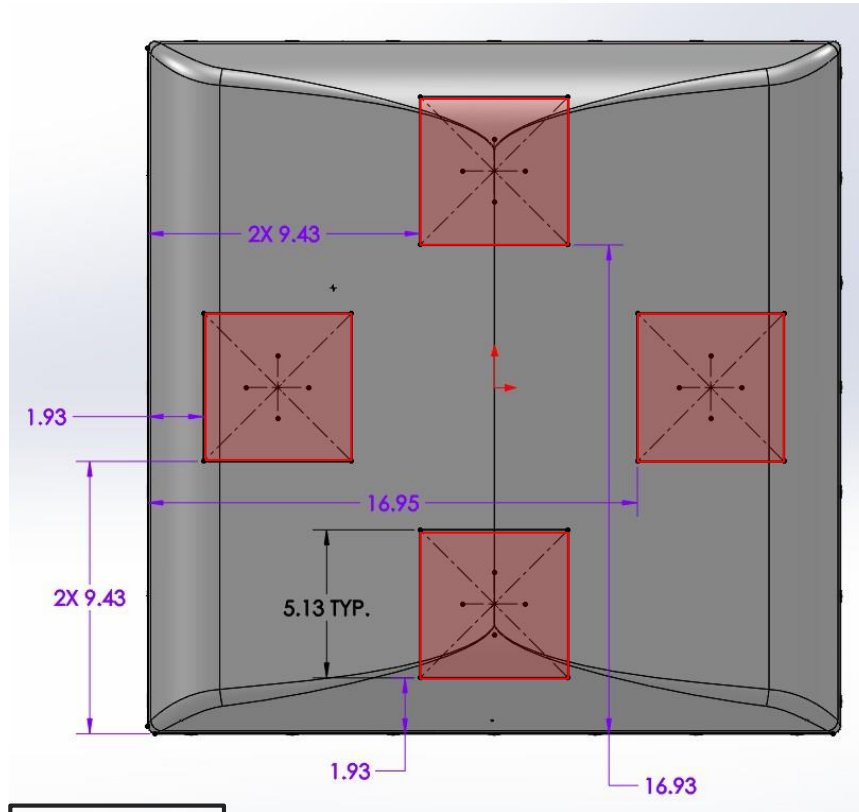
Top of antenna



XGU-FRO-230-I shown for reference

Danger zones for drilling – showing front of radome

Top of antenna



Danger zone – Advised to not drill within these borders

XGU-465-I weep hole modifications

Specs of antenna

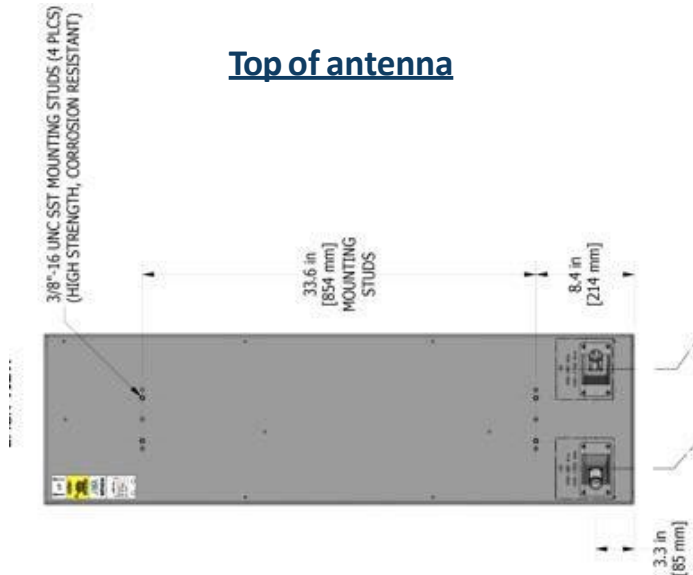
Top of antenna

Front view



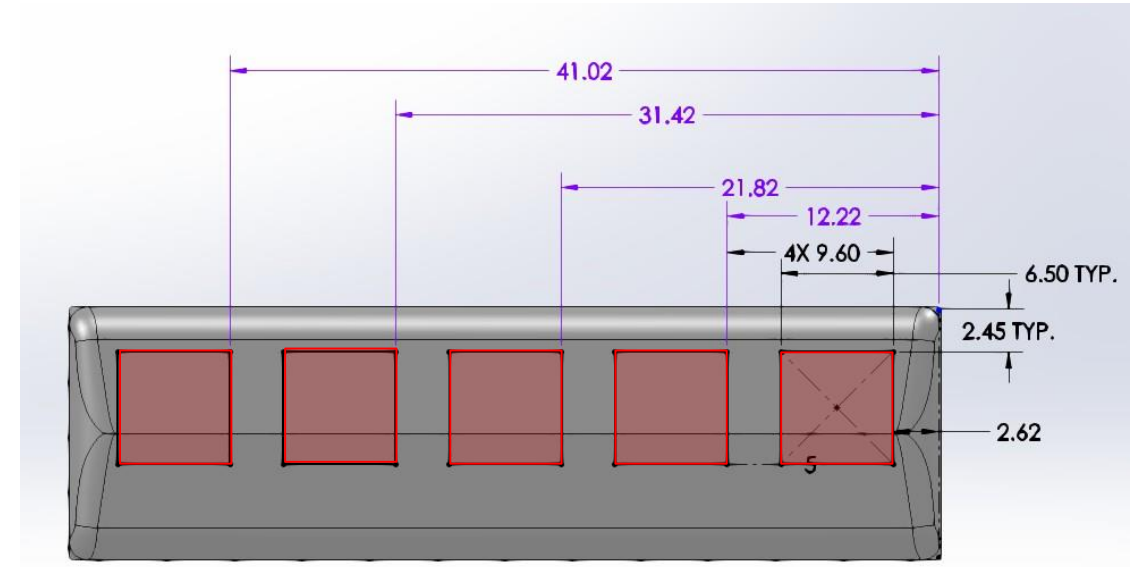
Top of antenna

Back view



Danger zones for drilling – showing front of radome

Top of antenna



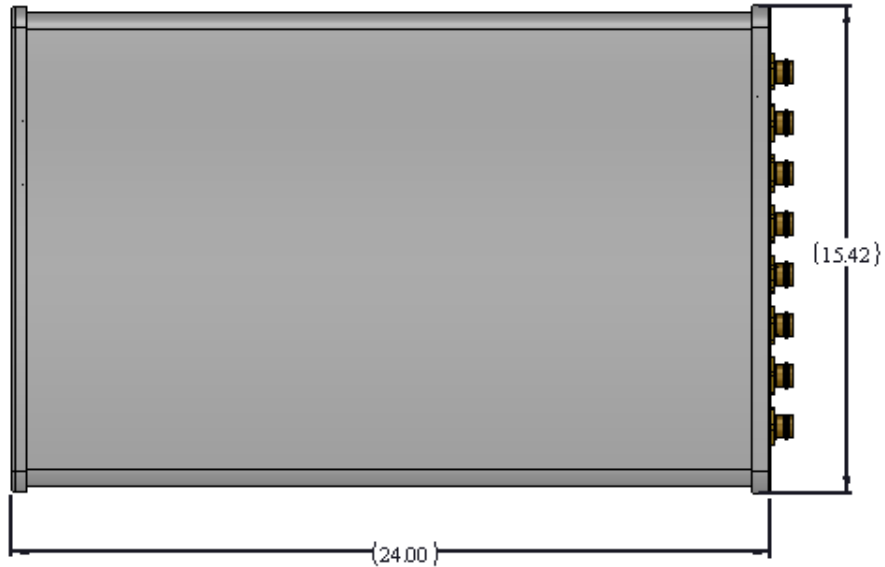
Danger zone –
Advised to not
drill within
these borders

DX10FRO260 weep hole modifications

Specs of antenna

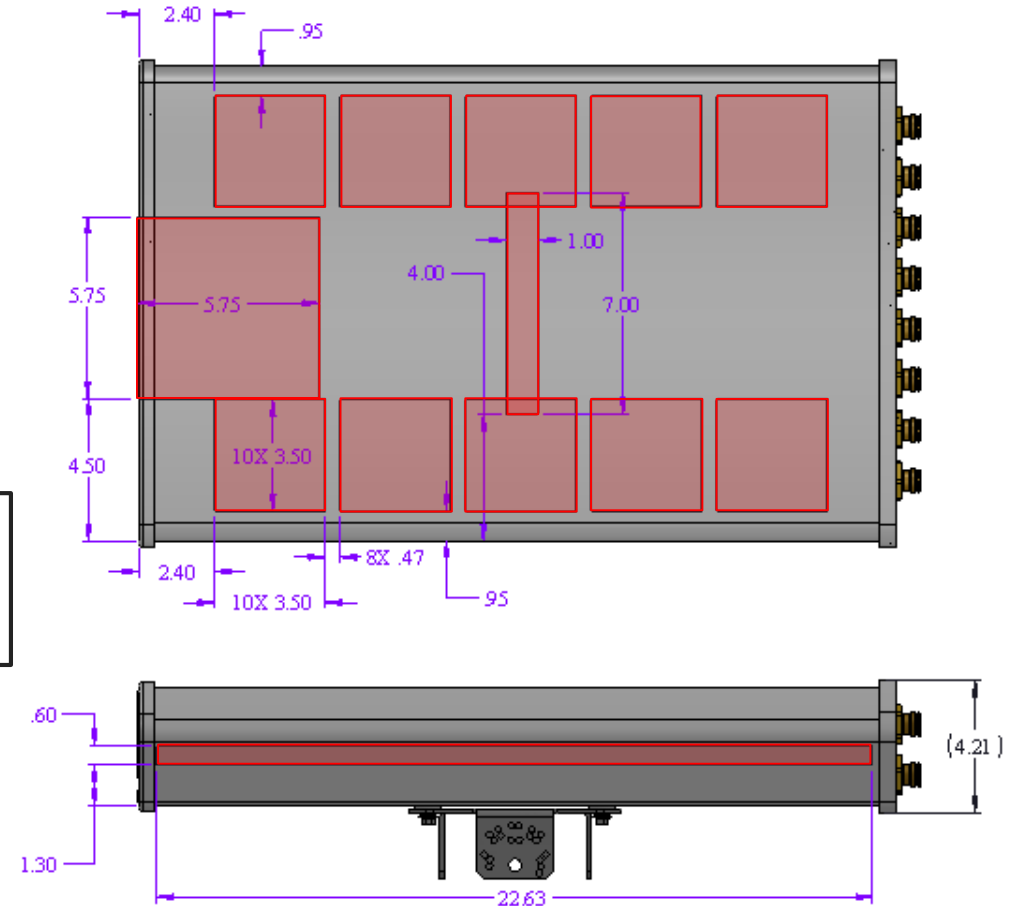
Top of antenna

Front view



Danger zones for drilling – showing front of radome

Top of antenna

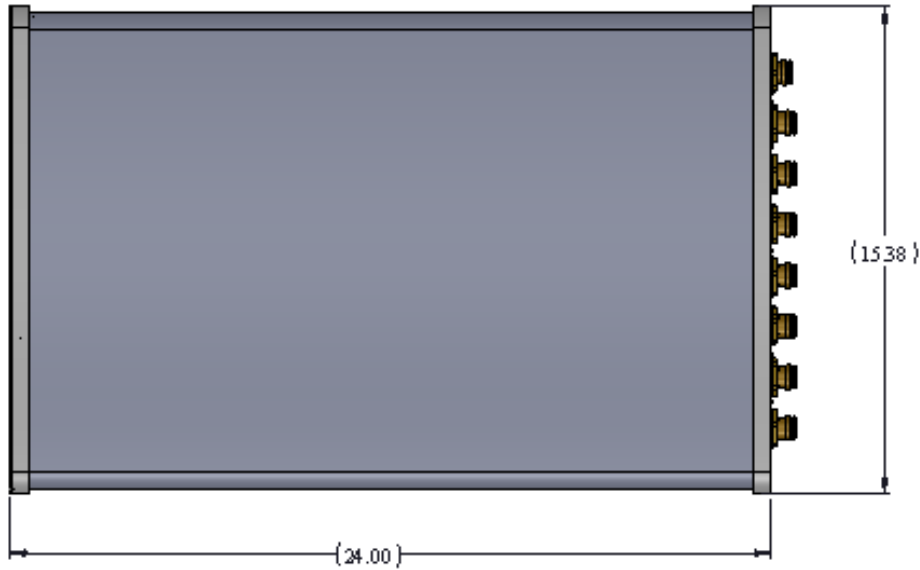


DX12FRO260 weep hole modifications

Specs of antenna

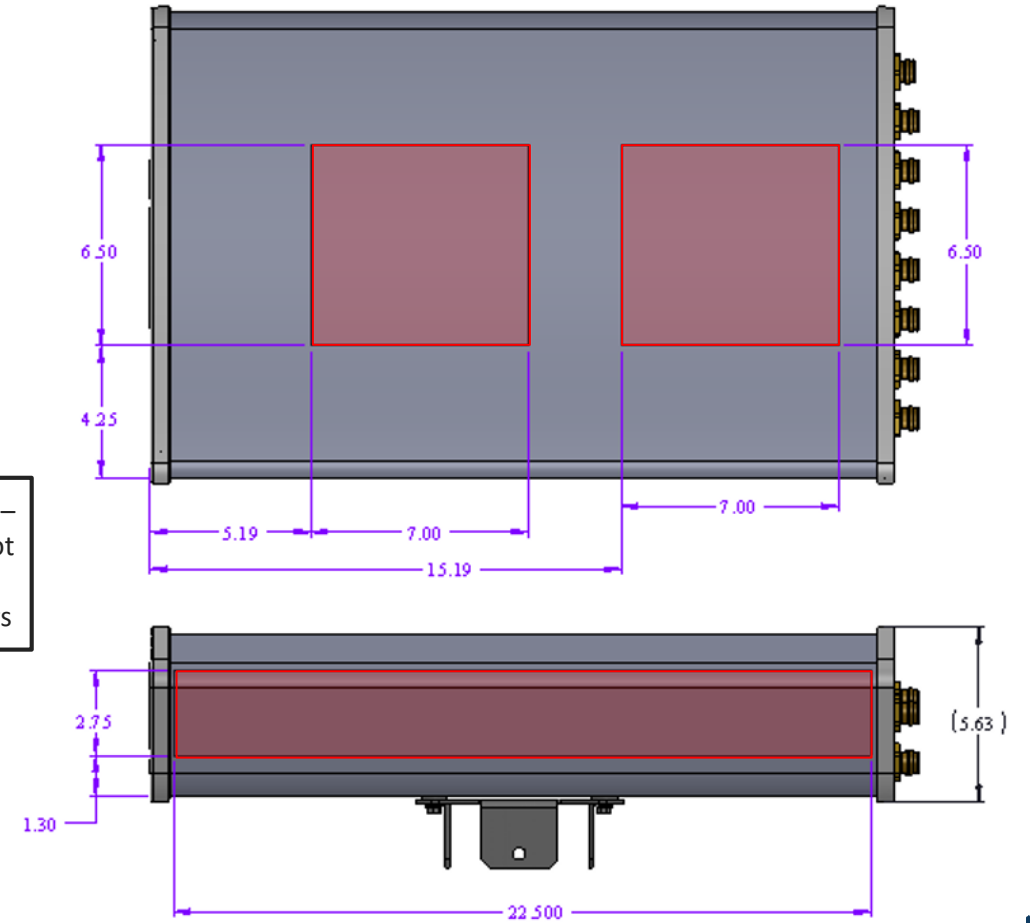
Top of antenna

Front view



Danger zones for drilling – showing front of radome

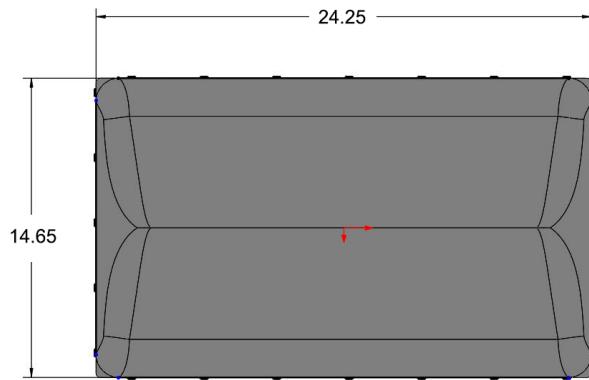
Top of antenna



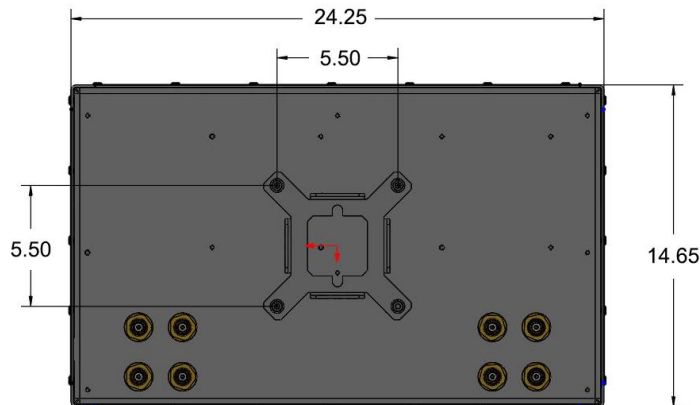
SX08FRO128 weep hole modifications

Specs of antenna

Top of antenna

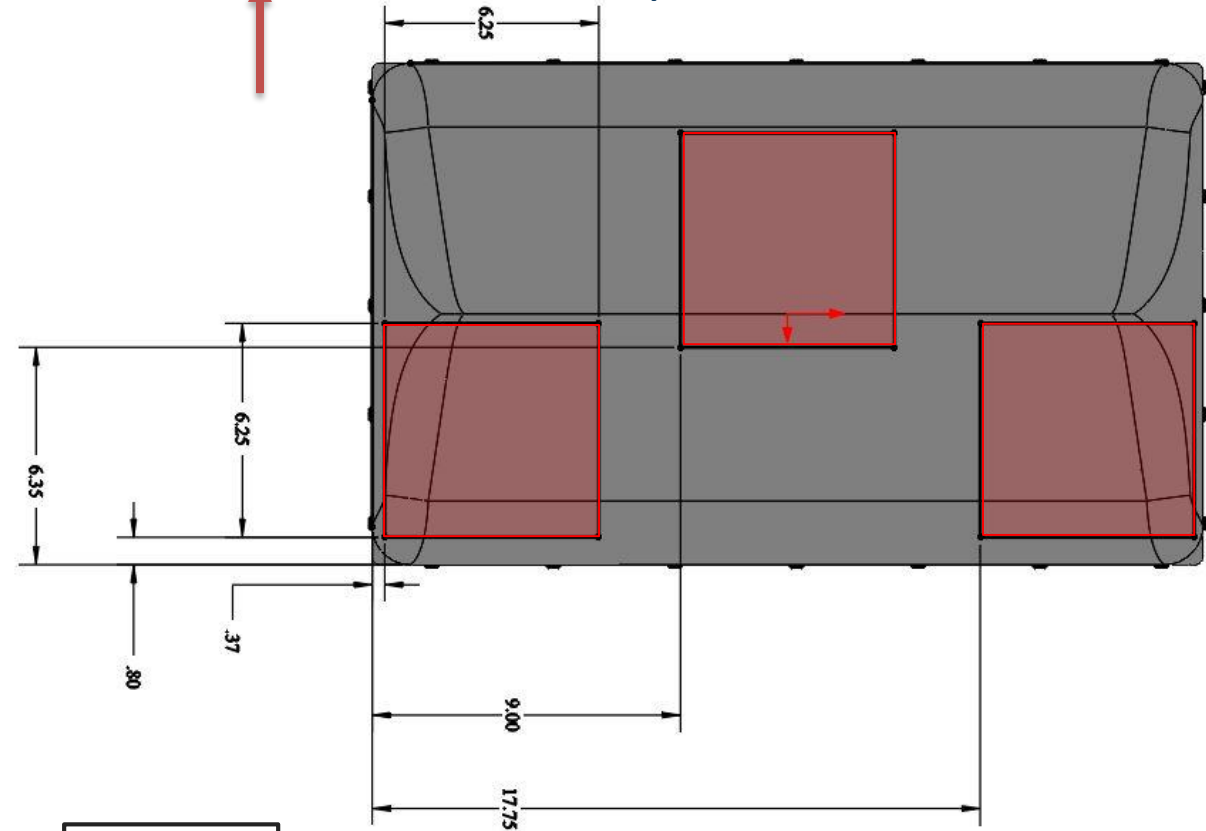


Top of antenna



Danger zones for drilling – showing front of radome

Top of antenna

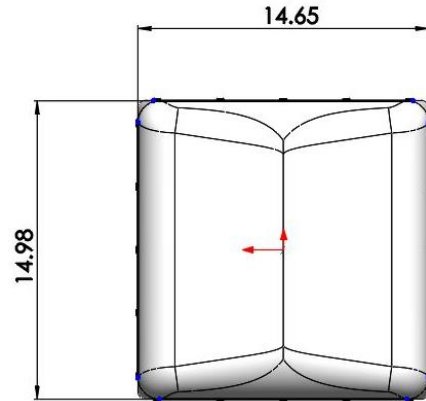


Danger zone –
Advised to not
drill within
these borders

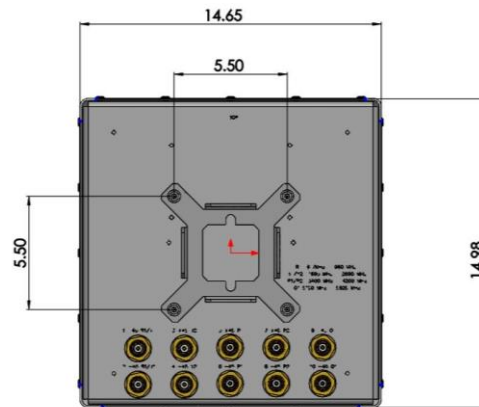
SX10FRO165 weep hole modifications

Specs of antenna

Top of antenna

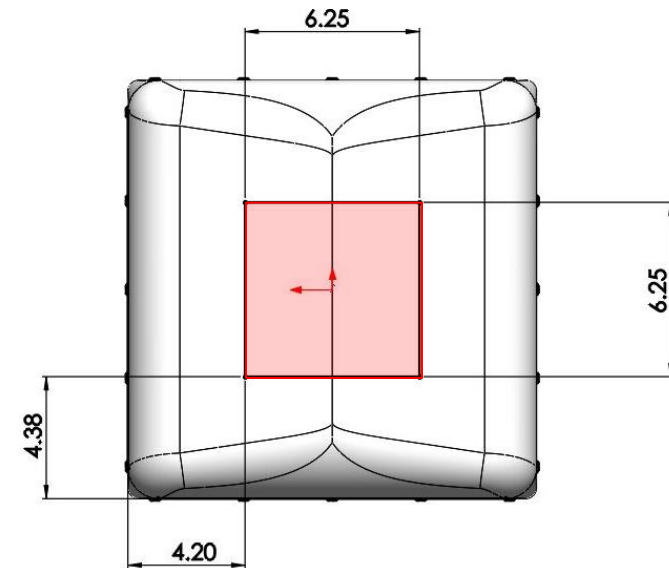


Top of antenna



Danger zones for drilling – showing front of radome

Top of antenna



Danger zone –
Advised to not
drill within
these borders

