

Rev.	Description	ECO number
A	Release	
B	Updated to add SX antenna views and instructions for 91900313 bracket kit	75289 ECR00708

# Venue Bracket

Instructions for Mounting Kits  
919050, 919055, & 91900313

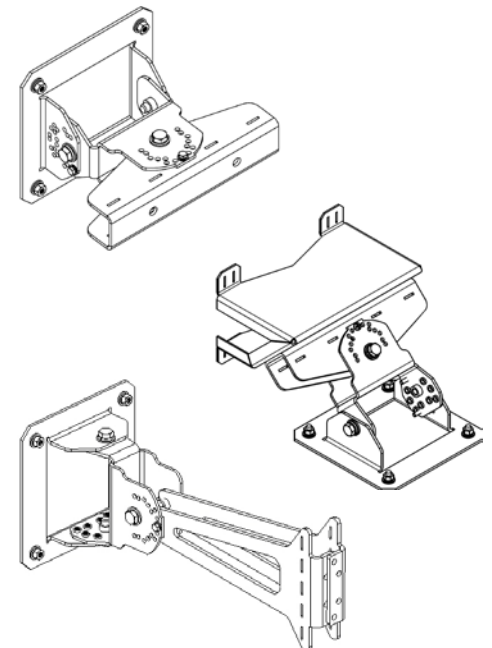
P/N 81900510



JMA Wireless World  
Headquarters

7645 Henry Clay Boulevard  
Liverpool, NY 13088  
USA

[www.jmawireless.com](http://www.jmawireless.com)  
+1 888-201-6073



# Venue Brackets

Instructions for Mounting Kits 919050, 919055, & 91900313

This is the installation guide for the Venue Bracket. Note that the bracket comes pre-installed on the antenna.

Antenna XGU-165 pictured for reference.

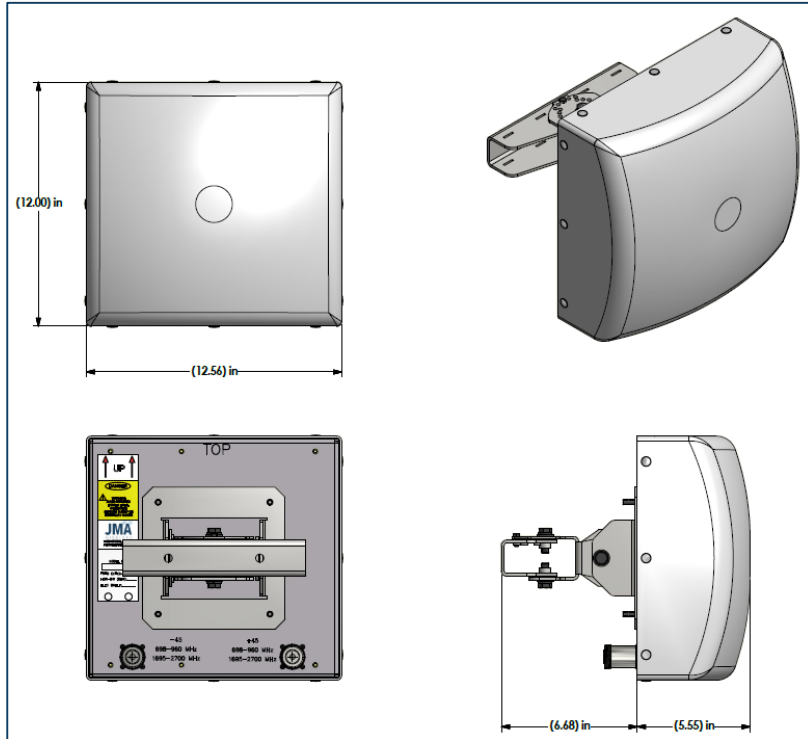


Figure 1: Bracket installed on antenna

The bracket can be repositioned depending upon use in the field.

When mounting the antenna, always follow the arrows and the word "top" for correct placement. When the bracket is in horizontal mount, the word "top" marked on the bracket will match the top of the antenna. But in vertical mount, the bracket can be turned either way. Torque 1/4" SS hardware to 75 lbf-in (8.47 N·m).

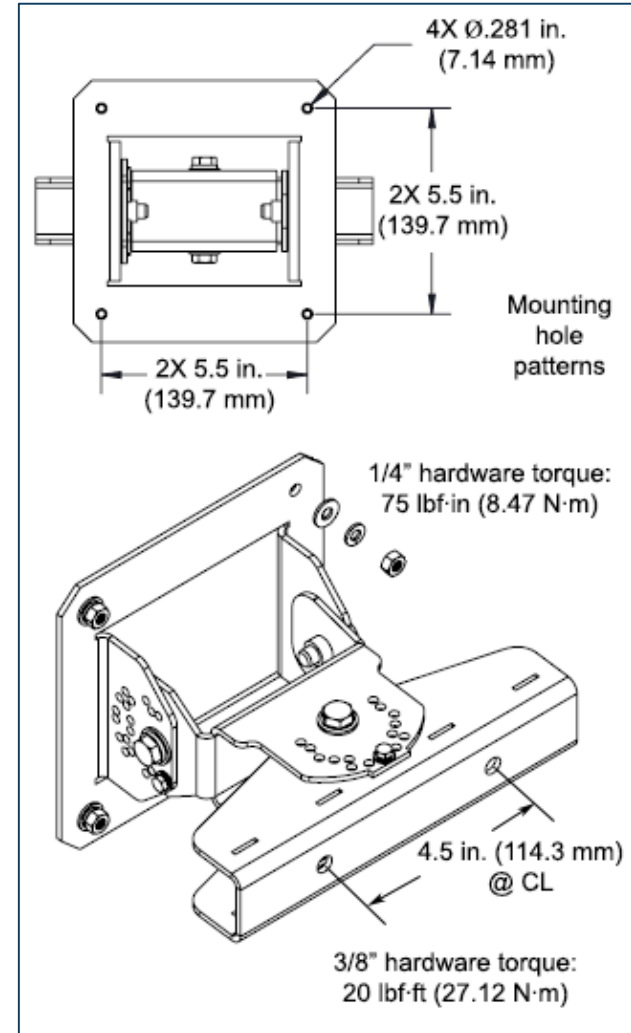


Figure 2: 919050 kit

# Venue Brackets

Instructions for Mounting Kits 919050, 919055, & 91900313

Below is the bracket kit pre-installed on the antenna.

Kit #919050			
Item #	JMA part #	Description	Qty. in kit
1	411-144-0732-VS	10-32 x 1/2" HEX Head Bolt SS	2
2	411-144-1348-VS	3/8"-16 x 1.000" HEX HEAD BOLT FULL THRE	4
3	412-105-0907-VS	1/4"-20 HEX NUT SS	4
4	413-011-1699-VS	1/4 FLAT WASHER SS	4
5	413-011-2421-VS	3/8" FLAT WASHER SS (OD 13/16)	4
6	413-011-8518-VS	#10 FLAT WASHER SS	2
7	413-012-1659-VS	1/4 SPLIT LOCK WASHER SS	4
8	413-012-2489-VS	3/8 SPLIT LOCK WASHER SS	4
9	413-012-6789-VS	#10 SPLIT LOCK WASHER SS	2
10	457216-PF	Wall / Pipe Mount Stadium Bracket	1
11	457217-PF	Center Mount Stadium Bracket	1
12	457218-PF	Antenna Mount Stadium Bracket	1
13	81900510	Assembly instructions	1

### Other key details:

- The brackets were designed to handle pole diameters ranging from 2.5 to 4.5 inches.
- All 10-32 hardware to be torqued to 30 lbf-in (3.39 N·m).
- All 3/8" hardware to be torqued to 20 lbf-ft (27.12 N·m).
- All 1/4" hardware to be torqued to 75 lbf-in (8.47 N·m).
- Fasteners / hose clamps for wall mount and pole mount not included in 919050 bracket kit. (Sold separately)

### Venue bracket details.

Bracket 12 can be re-oriented 90° to support vertical mounting configurations. Keep the word "top" on the antenna facing top, and the weep hole facing down. Use Screw 1 for locking bracket into specific angle positions. Torque to 30 lbf-in (3.39 N·m). Use the holes in Bracket 10 (4.50" [114.3 mm] apart @ CL) and 3/8" hardware for wall mounts.

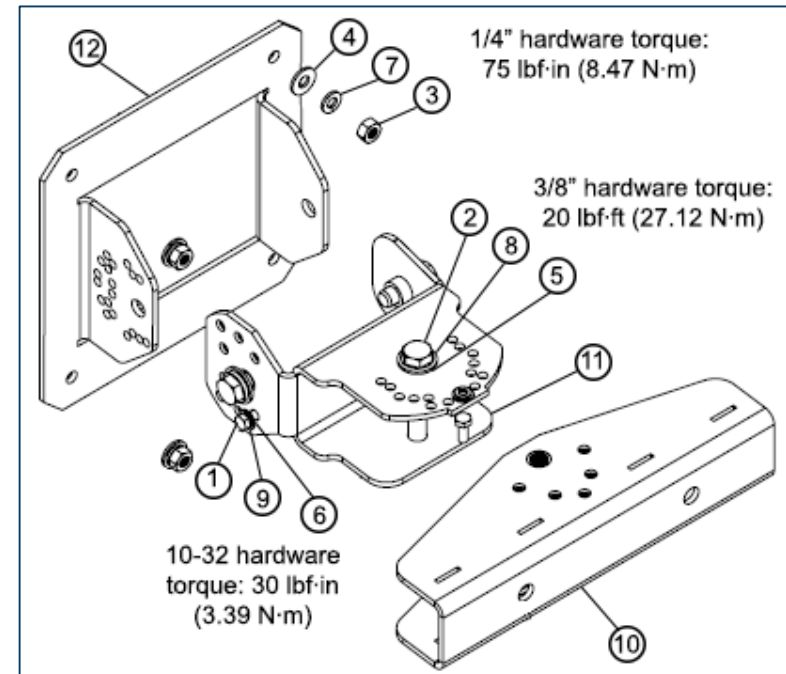


Figure 3: Bracket details

# Venue Brackets

Instructions for Mounting Kits 919050, 919055, & 91900313

## Wall-mounted bracket

See Figure 2, the bracket drawing, for the hole layout dimensions. All 3/8" hardware to be torqued to 20 lbf·ft (27.12 N·m).

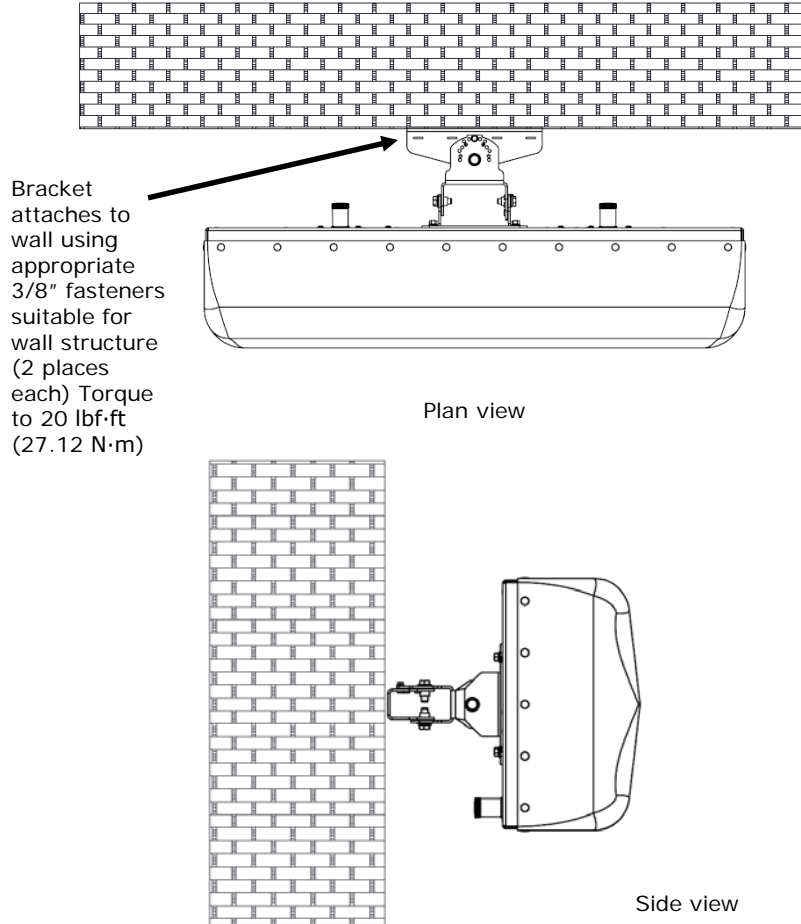


Figure 4: Wall mount

## Pole-mounted bracket

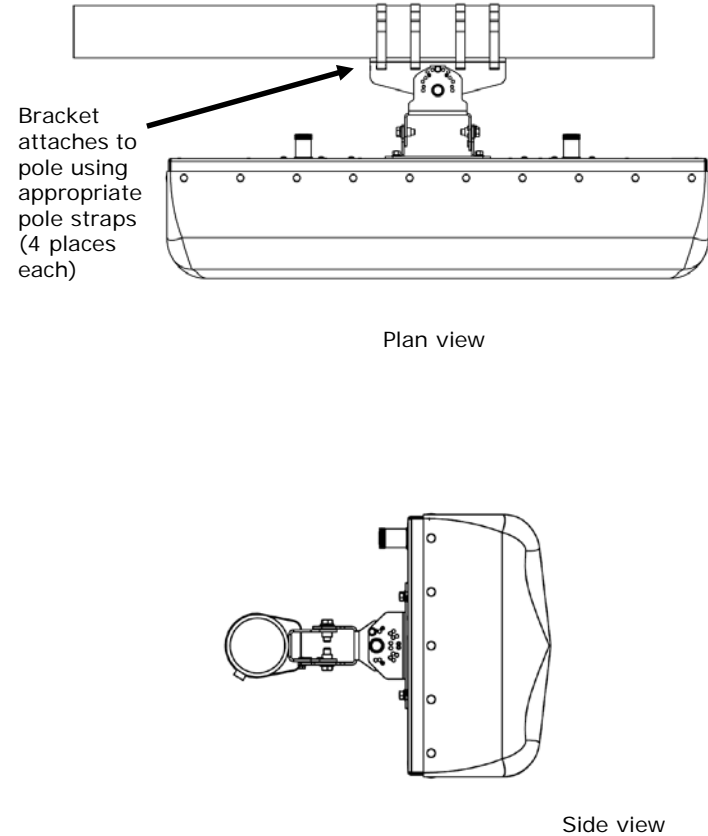


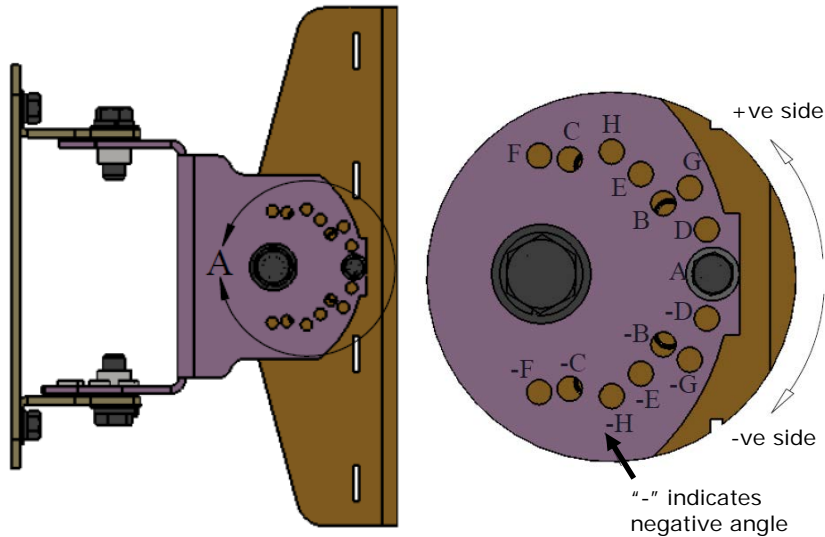
Figure 5: Pole mount

# Venue Brackets

Instructions for Mounting Kits 919050, 919055, & 91900313

## Vertical and horizontal mounting positions tables

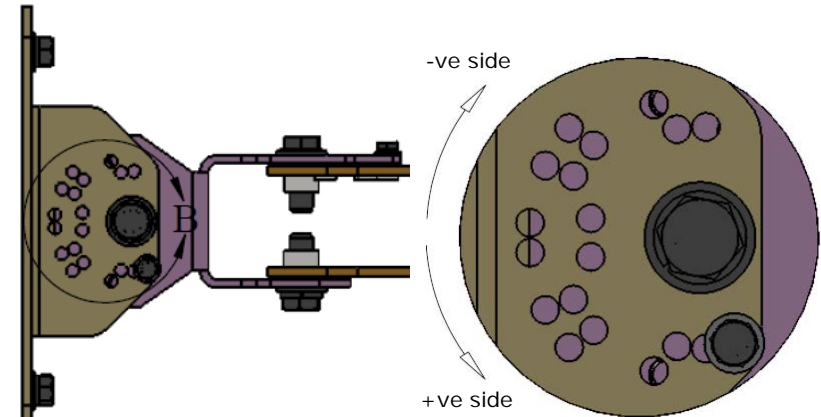
Azimuth rotation for specific locking position. Use supplied #10-32 fasteners to lock bracket at specific angle.



AZIMUTH ROTATION TABLE	
LEGEND	AZIMUTH ROTATION (DEG)
A	0
B	5
C	10
D	15
E	20
F	25
G	30
H	35

Figure 6: Bracket azimuth rotation in vertical position

Mechanical downtilt rotation for specific locking position. Use supplied #10-32 fasteners to lock bracket at specific angle.



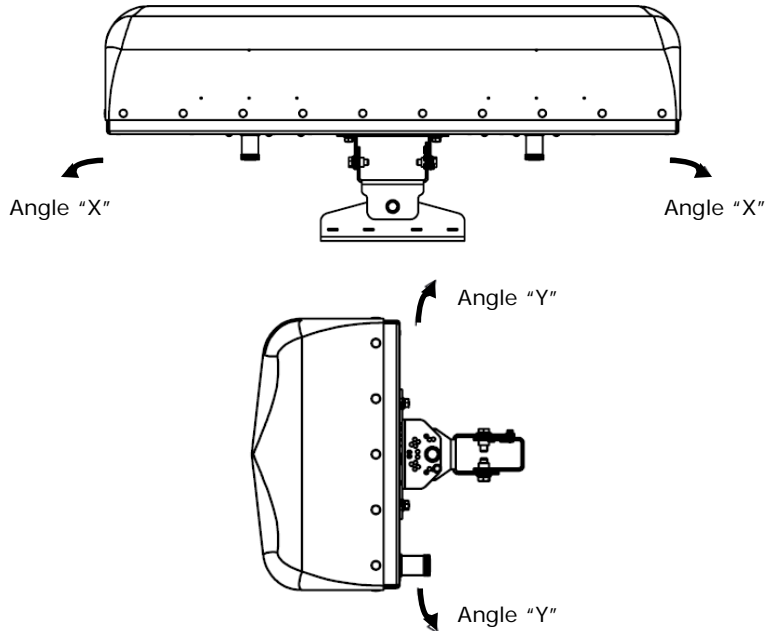
MECH. DOWNTILT TABLE	
LEGEND	AZIMUTH ROTATION (DEG)
A	0
B	5
C	10
D	15
E	20
F	25
G	30
H	35
I	40
J	45
K	50
L	55

Figure 7: Bracket mechanical downtilt rotation in horizontal position

# Venue Brackets

Instructions for Mounting Kits 919050, 919055, & 91900313

Maximum angle for wall- and pole-mount antennas.



Maximum Angle (in degree)				
Antenna Size	Pole Mount		Wall Mount	
	X	Y	X	Y
1' L x 1' W	35	55	35	55
1' L x 2' W	25	55	25	55
1' L x 3' W	20	55	20	55
2' L x 2' W	25	25	25	25

Figure 8: Maximum angle indicated in table

## Optional inverted (upside down) mount kit (919055).

This bracket kit 919055 to be used along with venue bracket 919050 on poles with an outer diameter of 4"-10". Refer to page 10 to learn about available tilt options. All 3/8"-16 fasteners to be torqued to 20 lbf-ft (27.12 N·m). Must use appropriate size heavy duty band straps. While mounting antenna upside down, additional weep holes must be drilled to properly drain antenna. Refer to JMA weep hole modification guide at [jmawireless.com](http://jmawireless.com)

Kit #919055			
Item #	JMA part #	Description	Qty. in kit
1	411-144-1350-VS	3/8"-16 x 1-1/4" HEX BOLT FULL THREAD SS	2
2	412-105-1322-VS	3/8"-16 HEX NUT SS	2
3	413-011-2421-VS	3/8 FLAT WASHER SS (OD 13/16)	2
4	413-012-2489-VS	3/8 SPLIT LOCK WASHER SS	2
5	457237-PF	BRACKET, INVERTED MNT 919050 STD M BRCKT	1
6	81900510	Instructions for mounting kits 919050 and 919055	1

**NOTE:** These item numbers refer to *Figure 10*.

# Venue Brackets

Instructions for Mounting Kits 919050, 919055, & 91900313

Below is the optional bracket kit 919055 for inverted mount.

Figures 9 and 10 show both kits 919050 and 919055 together. XGU model antenna pictured for reference.

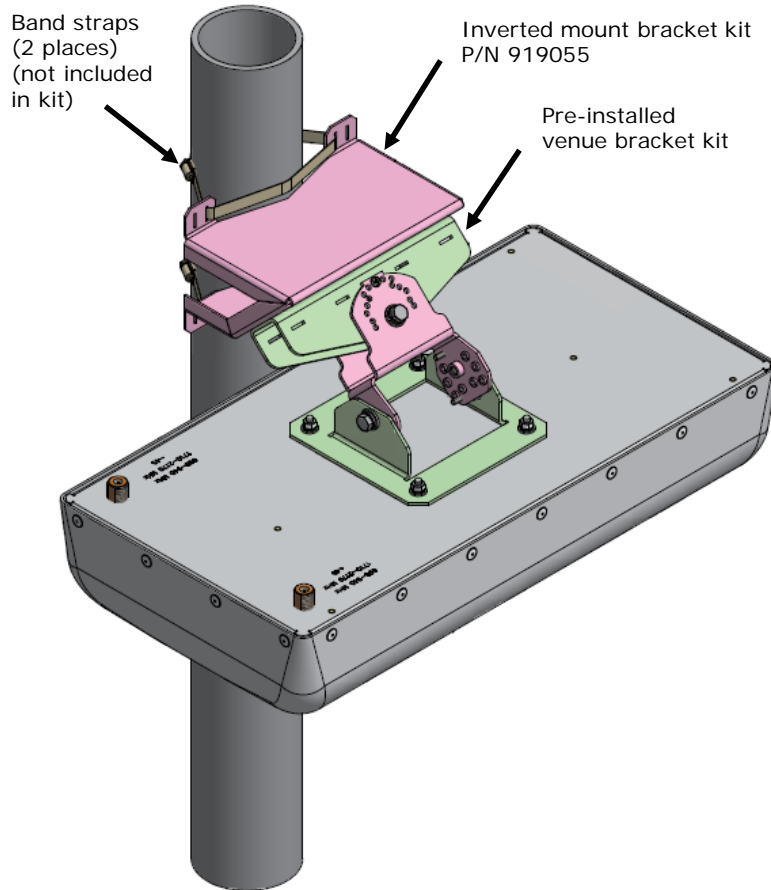


Figure 9: Inverted mount

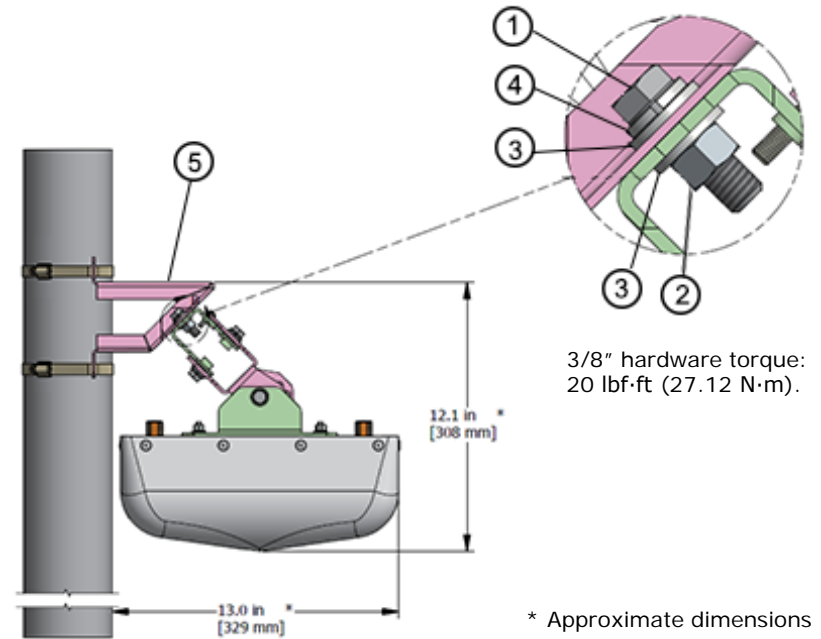


Figure 10: Inverted mount: side view details

# Venue Brackets

Instructions for Mounting Kits 919050, 919055, & 91900313

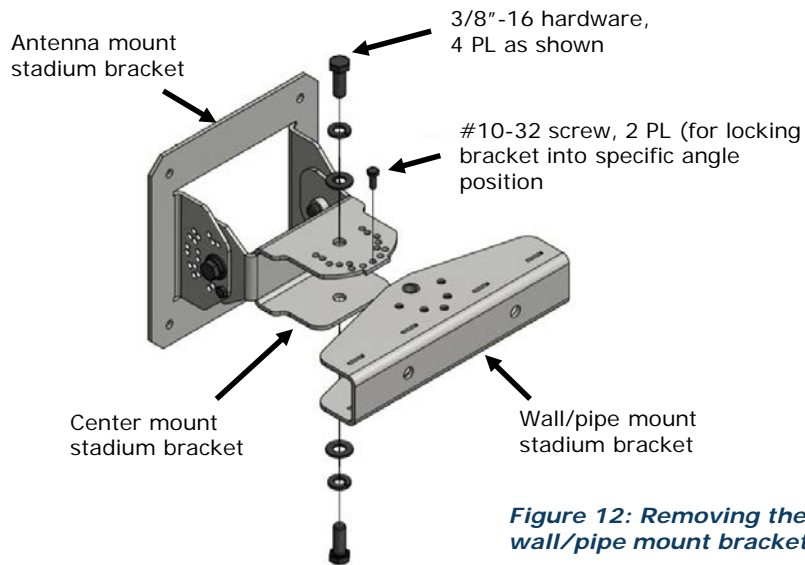
**Below is the optional extension bracket kit 91900313 for inverted mount of larger antennas.**

Figure 11 shows antenna SX08FRO230-01 (for reference only) pictured after being fitted with extension bracket kit 91900313.



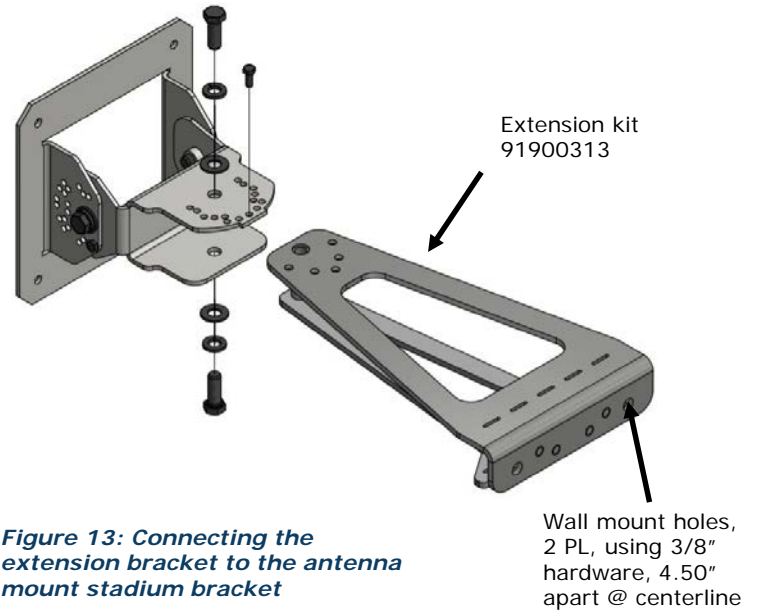
*Figure 11: Inverted mount*

**Step 1: Removing the wall/pipe mount bracket from the antenna mount stadium bracket.** Do not throw away any hardware. Remove 2 sets of 3/8"-16 hardware and the #10-32 screw from the connection of the center mount stadium bracket and wall/pipe mount stadium bracket. Remove the wall/pipe mount bracket from the assembly.



*Figure 12: Removing the wall/pipe mount bracket*

**Step 2: Installing the extension bracket.** Install extension bracket kit 91900313 by securing the extension bracket to the center mount stadium bracket using 3/8" hardware and #10-32 screw from Step 1. All 3/8" hardware to be torqued to 20 lbf·ft.



*Figure 13: Connecting the extension bracket to the antenna mount stadium bracket*

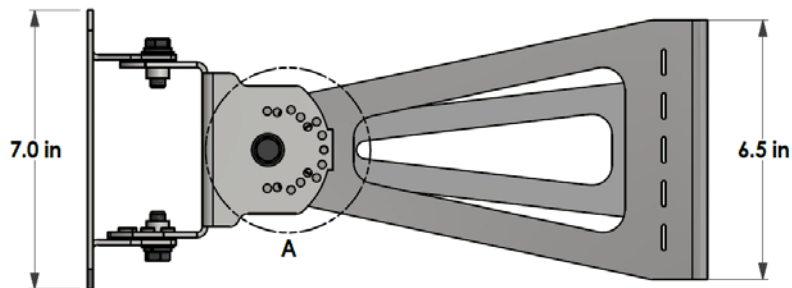


# Venue Brackets

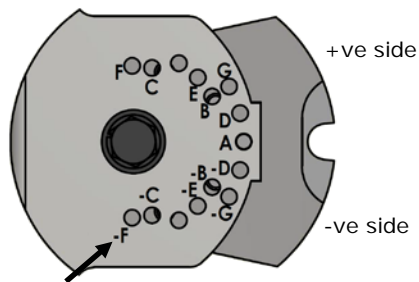
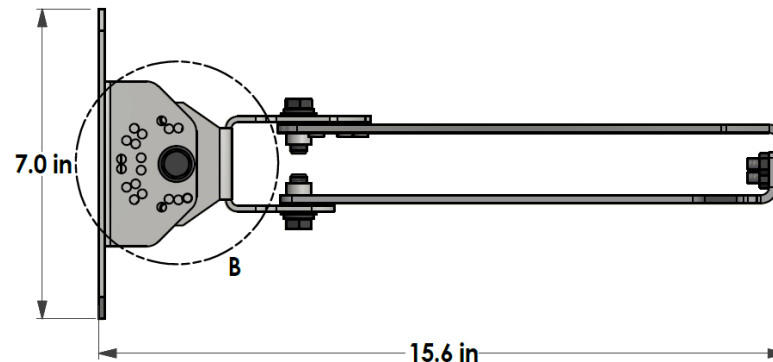
Instructions for Mounting Kits 919050, 919055, & 91900313

## Vertical and horizontal mounting positions tables

Azimuth rotation for specific locking position. Use supplied #10-32 fasteners to lock bracket at specific angles, at 5-degree increments, (+) & (-) sides.



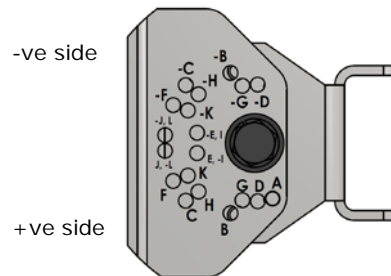
Mechanical downtilt rotation for specific locking position. Use supplied #10-32 fasteners to lock bracket at specific angle.



"-" indicates negative angle

AZIMUTH ROTATION TABLE	
LEGEND	AZIMUTH ROTATION (DEG)
A	0
B	5
C	10
D	15
E	20
F	25
G	30

Figure 14: Bracket azimuth rotation in vertical position



MECH. DOWNTILT TABLE	
LEGEND	DOWNTILT ROTATION (DEG)
A	0
B	5
C	10
D	15
E	20
F	25
G	30
H	35
I	40
J	45
K	50
L	55

Figure 15: Bracket mechanical downtilt rotation in horizontal position

# Venue Brackets

Instructions for Mounting Kits 919050, 919055, & 91900313

Below is the optional extension bracket kit 91900313 for inverted mount of larger antennas.

Figures 16 and 17 show both kits 919050 and 91900313 together. XGU model antenna pictured for reference.

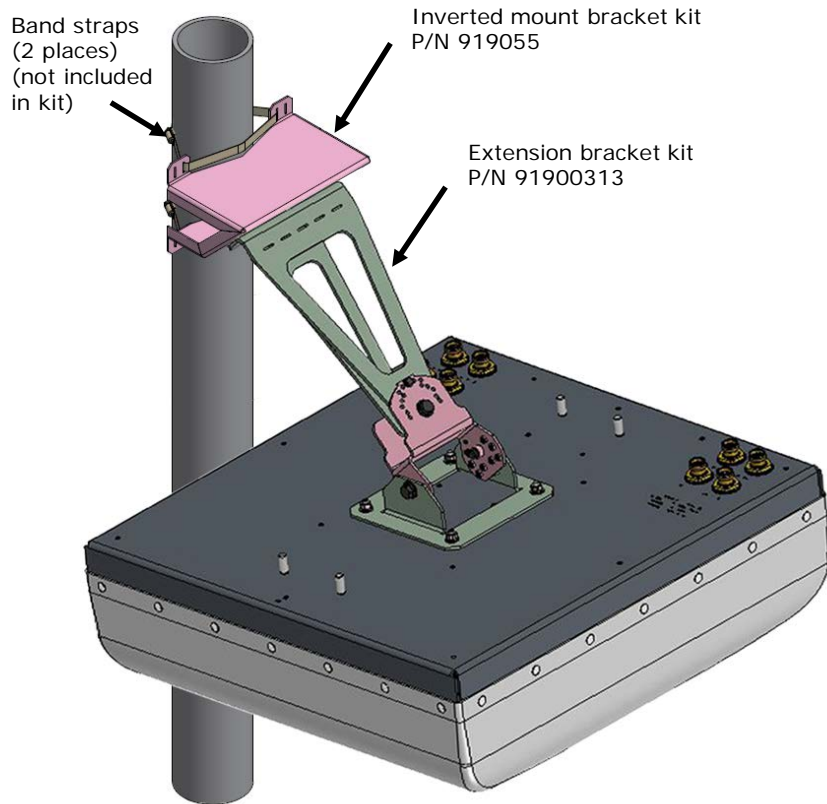


Figure 16: Inverted mount

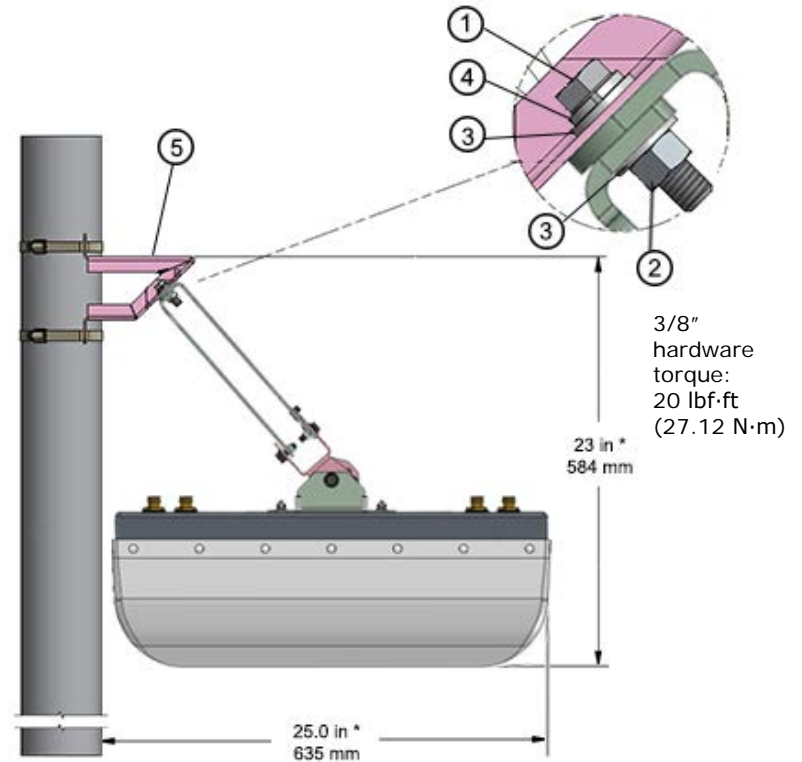


Figure 17: Inverted mount: side view details

\* Approximate dimensions