

X7CQAP-FRO-833-V

+/- 45° polarization, (1) 698-896 MHz & (2) 1710-2180 MHz antennas, 96" Length, Fast Roll Off (FRO) 33° horizontal pattern, variable E-Tilt

- FRO improves intra- and inter-cell SINR
- Separate housing and reflector construction optimizes RF performance while maximizing mechanical strength
- Good passive intermodulation (PIM) performance reduces harmful interference
- Independent tilt per array
- Suitable for LTE/CDMA/UMTS/GSM
- AISG 2.0 RET control



ELECTRICAL SPECIFICATIONS

Frequency band, MHz	698-824	824-896	1695-1880	1880-1990	1990-2180
Horizontal beamwidth, 3 dB points	35°	38°	38°	36°	30°
Gain, dBi	19.3	19.7	19.1	19.5	19.8
Vertical beamwidth, 3 dB points	9.7°	8.5°	6.1°	5.8°	5.5°
Upper side lobe suppression, typical, dB	<-16	<-16	<-16	<-16	<-16
Front-to-back at 180°, dB	> 30		> 28		
Polarization	+/-45°		2x +/-45°		
Electrical downtilt	0°-10°		0°-12°		
VSWR/return loss, dB, maximum	1.5:1/14.0		1.5:1/14.0		
Isolation between ports, dB, minimum	>28		>28		
Co-pole isolation inter-antenna	N/A		> 28		
Intermodulation (2x20 W), IM3, dBc	-153		-153		
Impedance, ohms	50		50		
Maximum power per connector, CW (W)	500		250		

MECHANICAL SPECIFICATIONS

Dimensions, length/width/depth	96.0 x 24 x 9.4 in. (2438.4/609.6/246.38 mm)
Connector (quantity) type non-IP model	(6 total: 2 low-, 4 high band) 7-16 DIN female
Connector torque	220-265 lbf-in (23-30 N-m)
Connector location	back
Antenna weight	85 lbs. (38.5554 kg)
Bracket weight	18.2 lbs. (8.25 kg)
Standard bracket kit	P/N 919032 (Included)
Mechanical downtilt range	0° - 6°
Radome material	high-strength Luran® UV stabilized, ASTM D1925
Wind survival	100 mph (160 km/h)
Front wind load @100 mph	397.6 lbf (1768.5 N) @100mph
Equivalent flat plate @100 mph	7.92 sq. ft. (c=2) @ 100mph

RET INFORMATION

Model	RET-200
Mounting location	Rear of antenna
Communication standard	AISG 2.0
Control system	PCU-1000



ORDER INFORMATION

MODEL	DESCRIPTION
X7CQAP-FRO-833-VR	8F,HEX,FRO,33°0-10°/ 0-12° EDT with remote adjust E-tilts (EDT)

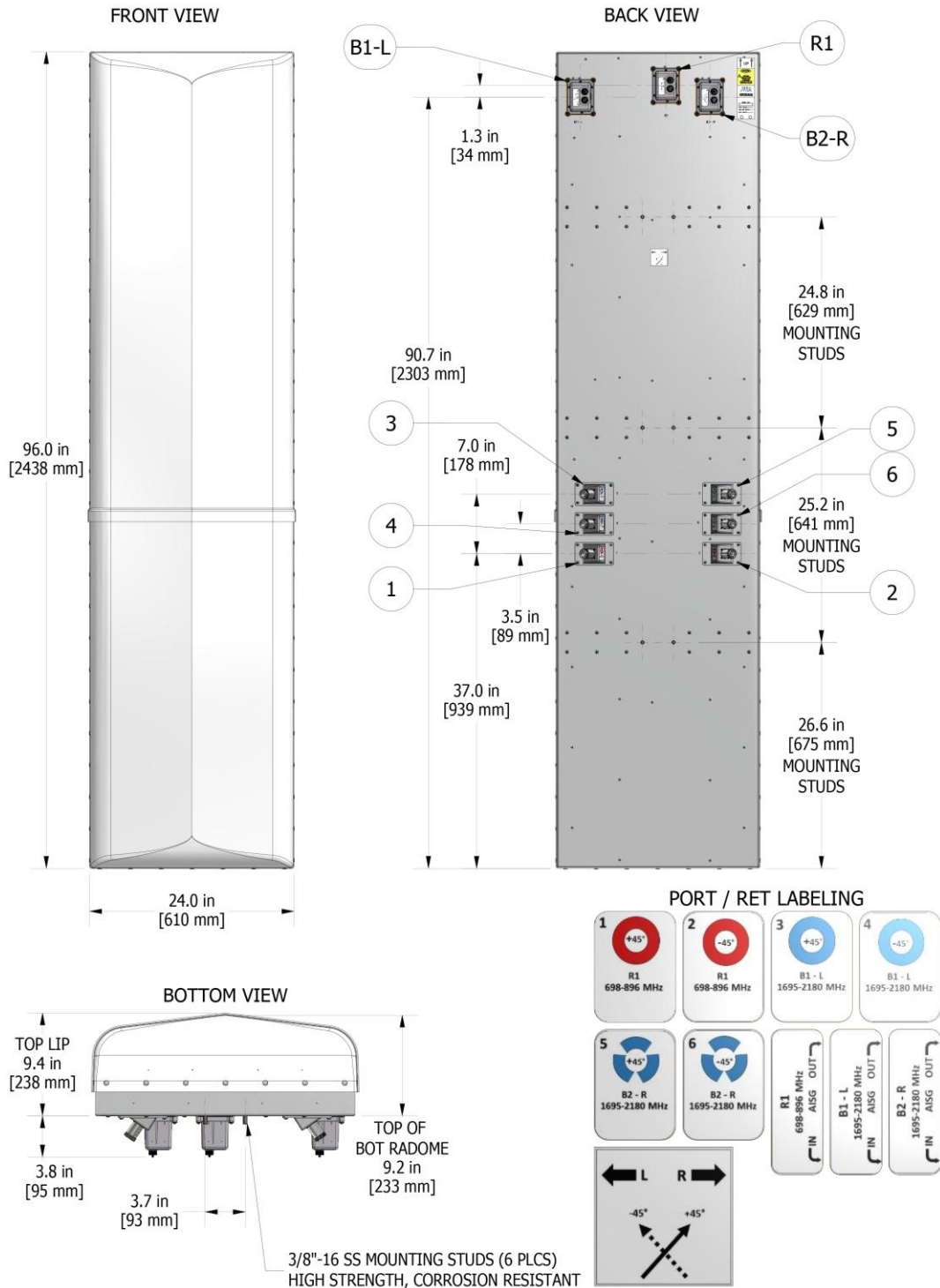
RET ORDERING INFORMATION

MODEL	DESCRIPTION
992100-CA005-SC	AISG jumper cable, M/F, 0.5 meters

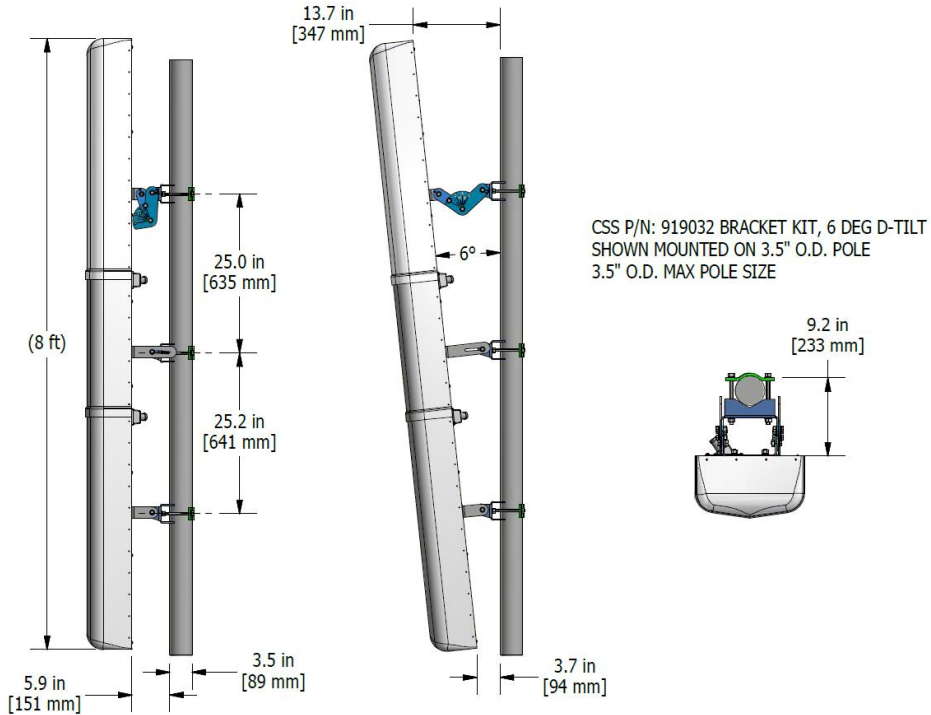
OPTIONAL BRACKET OPTION

MODEL	DESCRIPTION
919049	Optional bracket kit, 3-point, 6-degree D-tilt, For 4.5" OD Pole

MECHANICAL VIEWS: X7CQAP-FRO-833-VR



Standard bracket kit



Optional bracket kit

