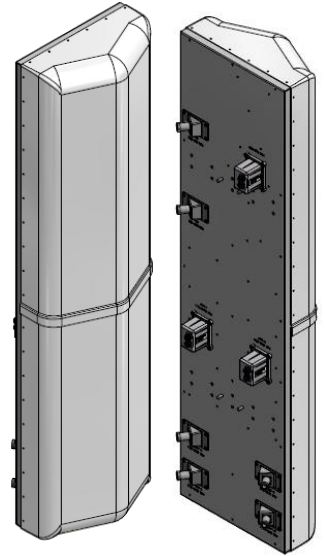


## X7CQAP-FRO-645-V

1 Xpol Low Band & 2 Xpol in High Band, 698-896/1695-2180MHz, 72", 45° Fast Roll Off H-Beam

Variable E-Tilt RET

- 6 Port Macro Cell Antenna: 1 Low Band, 2 High Band Antennas in a single radome, all with separate tilts
- Fast Roll Off
- Quantity 3 RET Setup
- Suitable for LTE/CDMA/UMTS/GSM
- AISG 2.0 RET Control



### ELECTRICAL SPECIFICATIONS

Frequency Band, MHz	698-824	824-896	1695-1880	1850-1990	1920-2180
Horizontal Beam Width, 3dB points (average)	48°	42°	50°	45°	38°
Gain, dBi (average)	16.9	17.5	17.9	17.9	17.8
Vertical Beam Width, 3dB points (average)	13.3°	11.7°	6.1°	6.5°	6.5°
Upper Side Lobe Suppression, Typical, dB	<-16	<-16	<-16	<-16	<-16
Front-to-Back at 180°, dB	> 30		> 30		
Polarization	+/-45°		2x +/-45°		
Electrical Down Tilt	0°-10° or 4°-14°		0°-6° or 4°-10°		
VSWR/Return Loss, dB, Maximum	1.5:1/14.0		1.5:1/14.0		
Isolation Between Ports, dB, Minimum	>26		>26		
Intermodulation (2x20w), IM3, dBc, Maximum	-153		-153		
Impedance, ohms	50		50		
Maximum Power Per Connector, CW (w)	500		250		

## MECHANICAL SPECIFICATIONS

Dimensions, Length/Width/Depth	72.0 x 18.8 x 10.2 inches (1829/479/258 mm)
Connector (Quantity) Type	6 total: 2 low band, 4high Band , 7-16 DIN Female
Connector Torque	220-265 lbf-in (23-30 N-m)
Connector Location	Back
Antenna Weight	55 lbs (24.95 Kg)
Bracket Weight	13.2 lbs (5.99 Kg)
Standard Bracket Kit	919011 (Included)
Mechanical Down Tilt Range	0°-12°
Radome Material	High Strength Luran, UV Stabilized, ASTM D1925
Wind Survival	150 mph (241 km/h)
Front Wind Load @100mph	233.6 lbf (1039.1 N)
Equivalent Flat Plate @ 100mph	4.65 sq-ft (c=2) @100 mph

## RET INFORMATION

Model	RET-200
Mounting Location	Back
Weight	1.2 lb (0.54 kg)
Communication Standard	AISG 2.0
Control System	PCU-1000



## ORDER INFORMATION

MODEL	DESCRIPTION
X7CQAP-FRO-645-VR0	Remote motor adjust variable e-tilt (RET), EDT 0-10° low band and 0-6° high band
X7CQAP-FRO-645-VR4	Remote motor adjust variable e-tilt (RET), EDT 4-14° low band and 4-10° high band

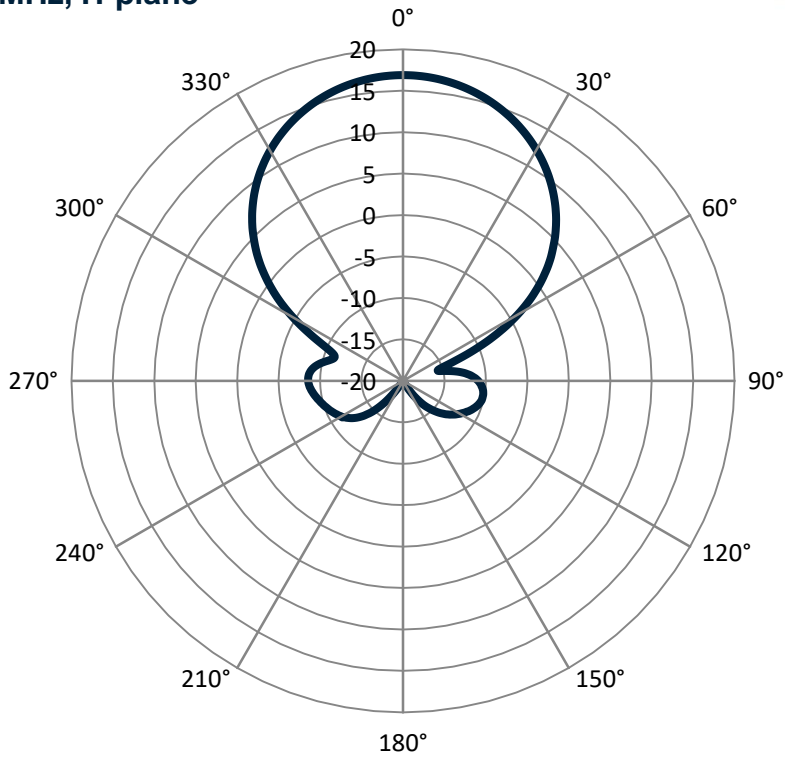
## RET ORDERING INFORMATION

MODEL	DESCRIPTION
992100-CA013-SC	AISG Jumper Cable, M/F, 1.3 meters

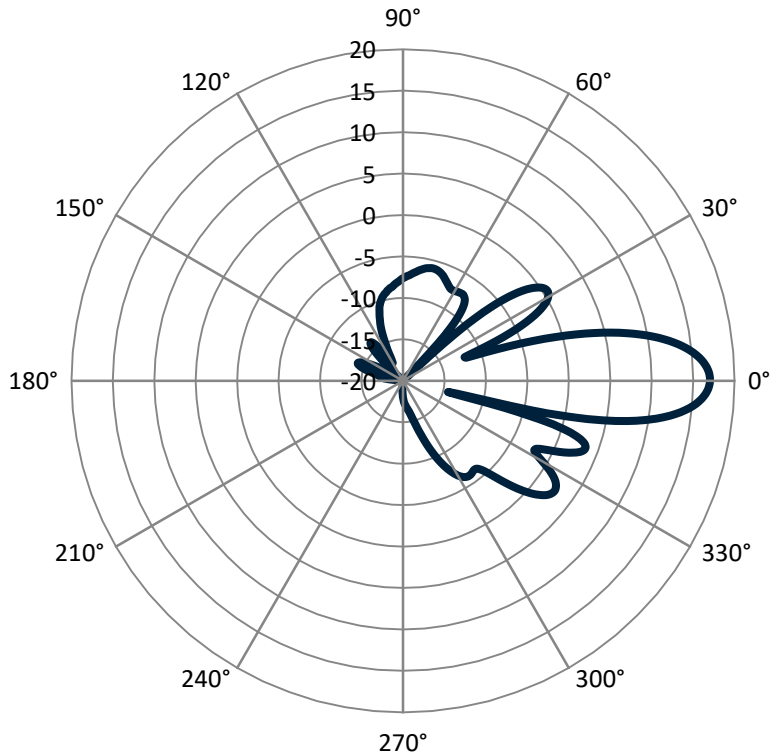
## OPTIONAL BRACKET KIT

MODEL	DESCRIPTION
919036	Bracket Kit, 2-Point, 12deg D-tilt, For 4.5" OD Pole

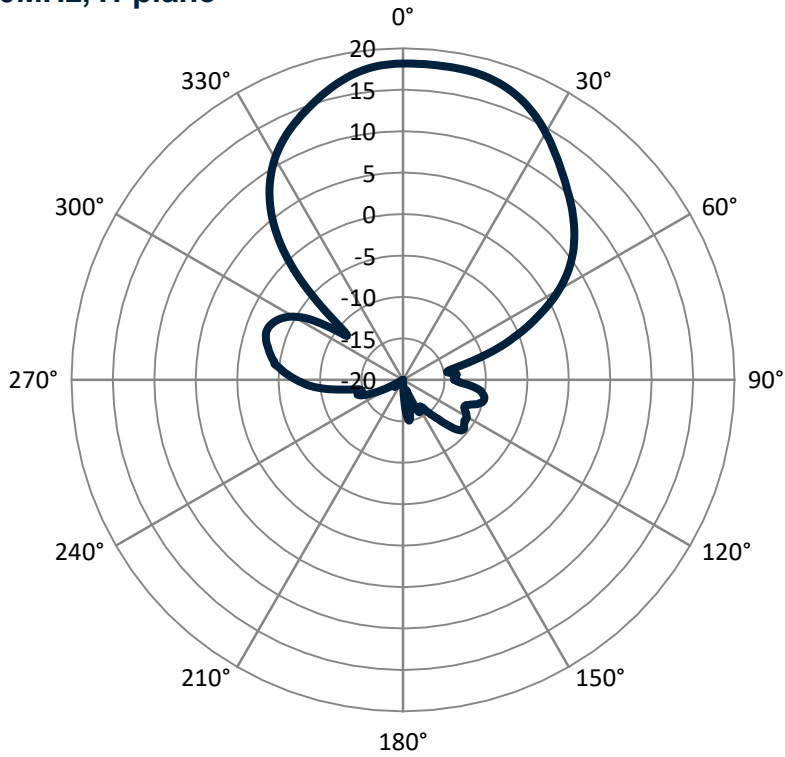
### Pattern Plot:750MHz, H-plane



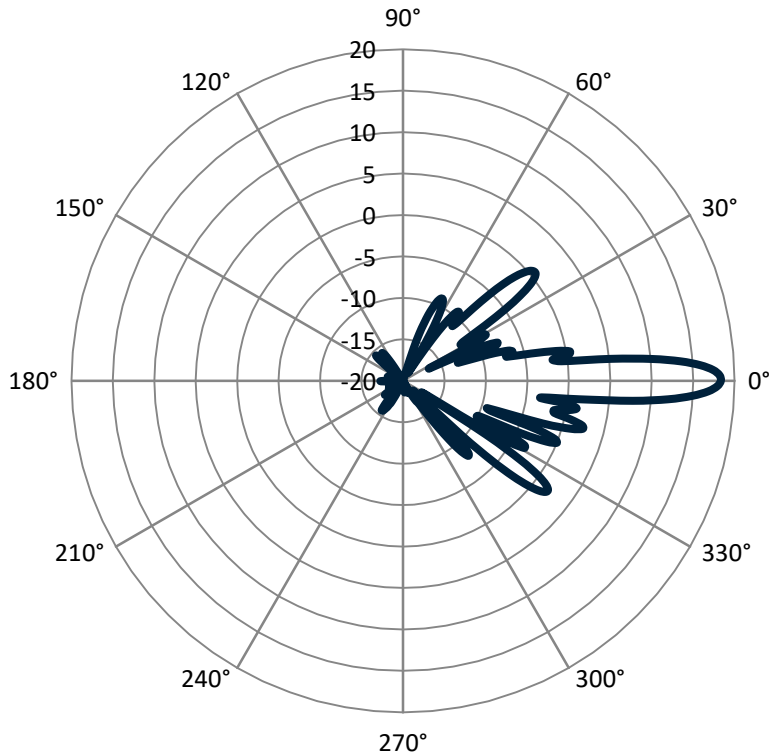
### Pattern Plot: 750MHz, E-plane



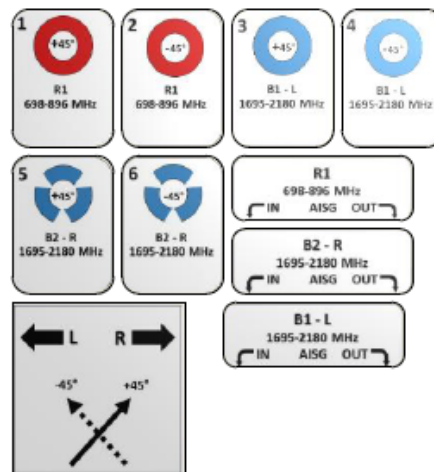
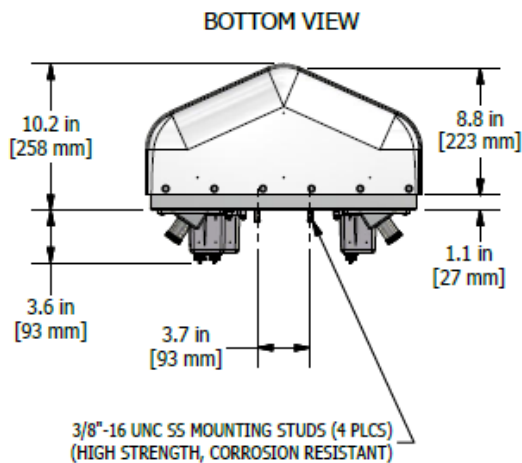
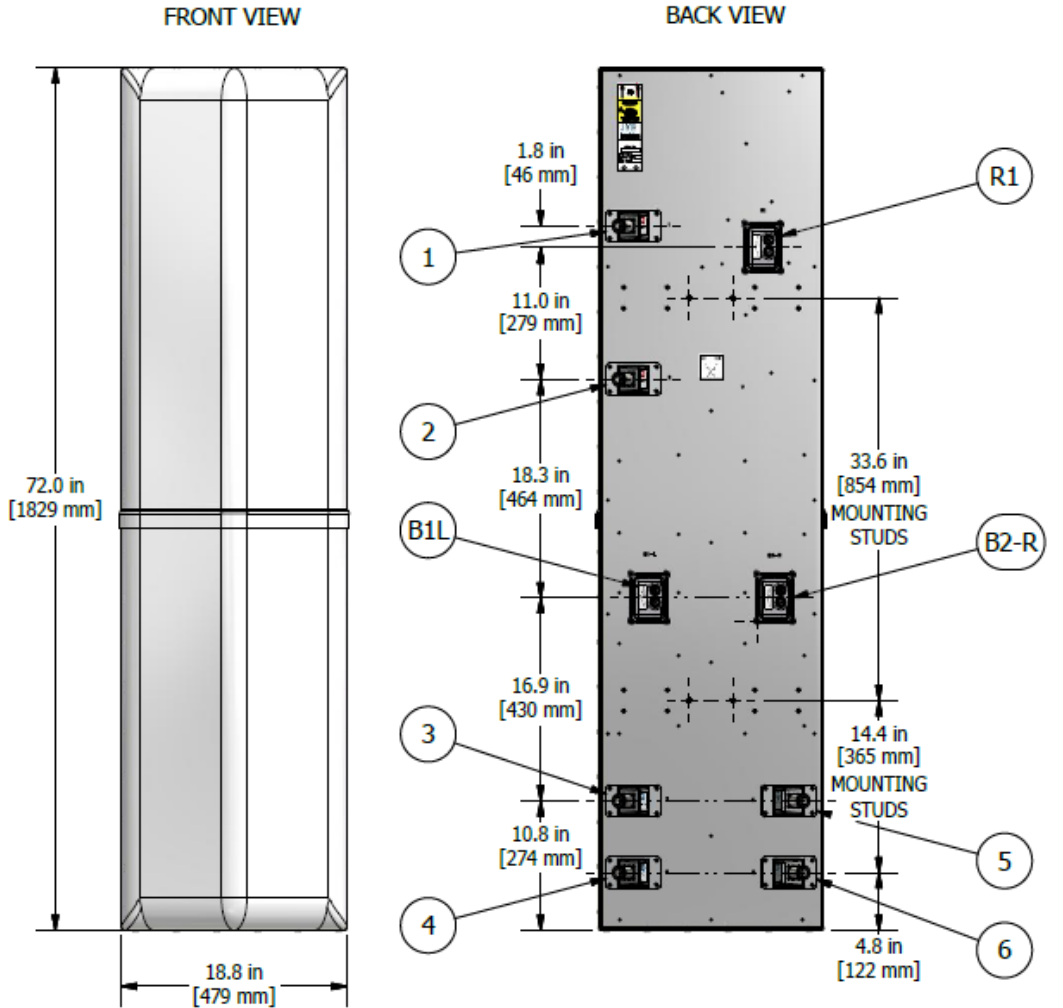
### Pattern Plot: 1910MHz, H-plane



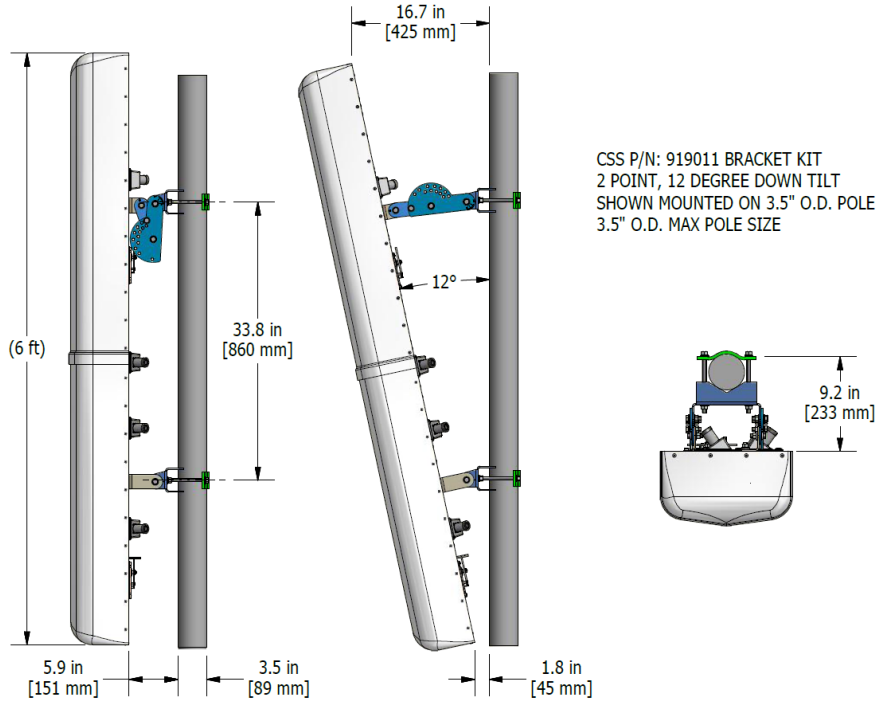
### Pattern Plot: 1910MHz, E-plane



**Mechanical Outline Drawing:**



### Standard Bracket Kit



### Optional Bracket Kit

