

X7CQAP-FRO-633-V

+/- 45° Polarization, (1) 698-896MHz & (2) 1695-2180 MHz Antenna, 72" Length, Fast Roll Off 33° Horizontal Pattern, Variable E-Tilt

- Fast Roll Off (FRO) improves intra- and inter-cell SINR
- Separate housing and reflector construction optimizes RF performance while maximizing mechanical strength
- Good passive intermodulation (PIM) performance reduces harmful interference
- Independent tilt per array
- Suitable for LTE/CDMA/UMTS/GSM
- AISG 2.0 RET control



ELECTRICAL SPECIFICATIONS

Frequency band, MHz	698-824	824-896	1695-1850	1850-1990	1990-2180
Horizontal beam width, 3dB points	34°	33°	37°	36°	34°
Gain, dBi	18.8	19.4	19.6	19.2	19.3
Vertical beam width, 3dB points	13.3°	11.8°	6.1°	5.8°	5.6°
Upper side lobe suppression, typical, dB	<-16	<-16	<-16	<-16	<-16
Front-to-back at 180°, dB	> 30		> 30		
Polarization	+/-45°		2 x +/-45°		
Electrical downtilt	0°-14°		0°- 12°		
VSWR/return loss, dB, maximum	1.5:1/-14.0		1.5:1/-14.0		
Isolation between ports, dB, minimum	>28		>28		
Intermodulation (2x20w), IM3, dBc, maximum	-153		-153		
Impedance, ohms	50		50		
Maximum power per connector, CW (w)	500		250		

MECHANICAL SPECIFICATIONS

Dimensions, length/width/depth	72.0/24.0/9.5 in (1829/610/236 mm)
Connector (quantity) type	(6) total: (2) low, (4) high band 7-16 DIN female
Connector torque	220-265 lbf-in (25-30 N-m)
Connector location	back
Antenna weight	71 lbs (32.27) Kg
Bracket weight (not included in antenna weight)	13.2 lbs (5.99Kg)
Standard bracket kit	919032 (Included)
Mechanical downtilt range	0°-6°
Radome material	High-strength Luran® UV stabilized, ASTM D1925
Wind survival	150 mph (241 km/h)
Front wind load @100mph	296.6 lbf (1319.5 N)
Equivalent flat plate @100mph	5.92 sq-ft (c=2) @100 mph

RET INFORMATION (RET motors included in VR0 & VR4 models)

Model	RET-200
Mounting location	back
Communication standard	AISG 2.0
Control system	PCU-1000



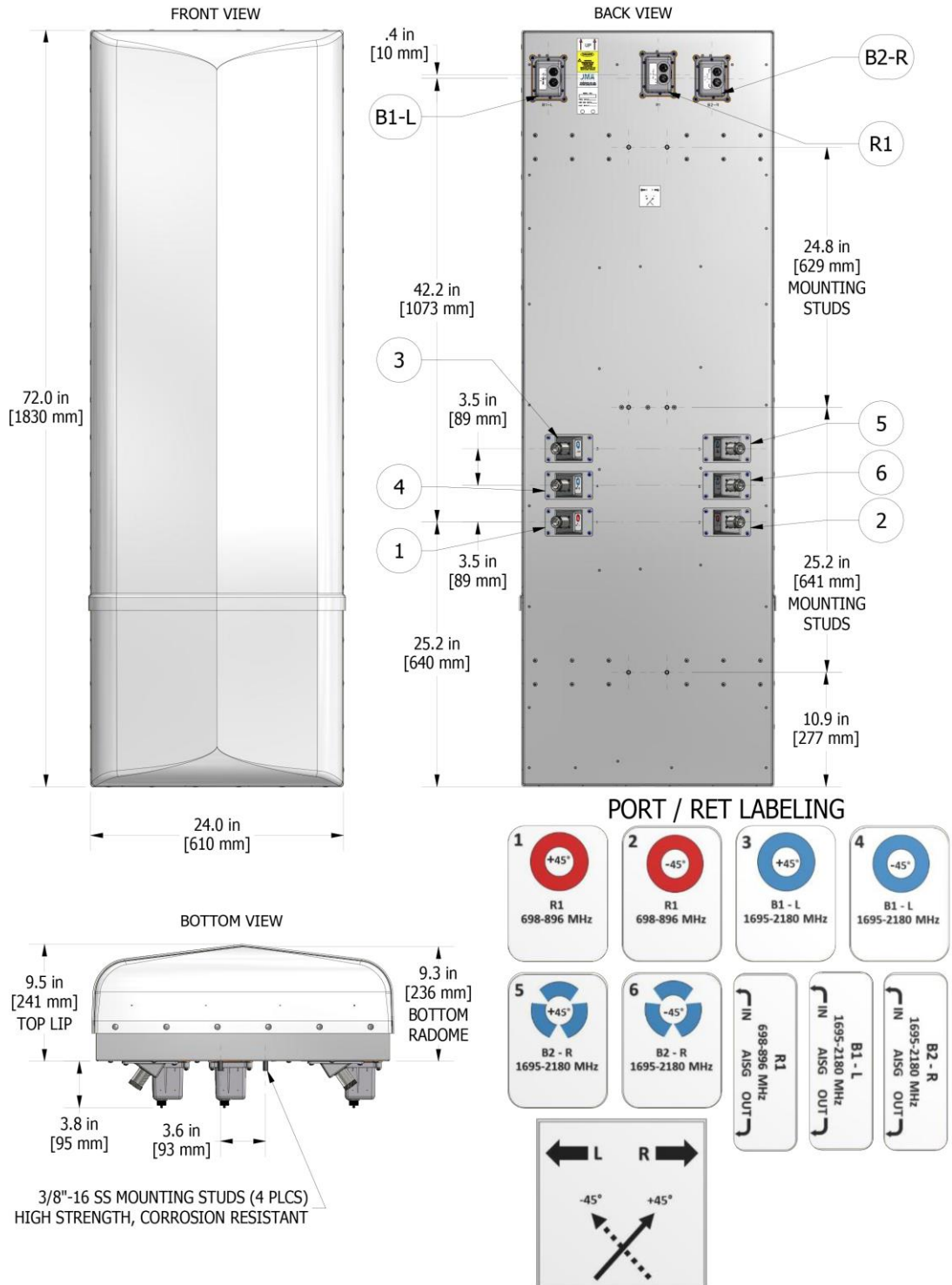
ORDER INFORMATION

MODEL	DESCRIPTION
X7CQAP-FRO-633-VR	6F, HEX, FRO 33° 0-14° / 0-12° EDT
919049	Optional bracket kit, 2-point, 6Deg D-tilt, for 4.5" OD pole

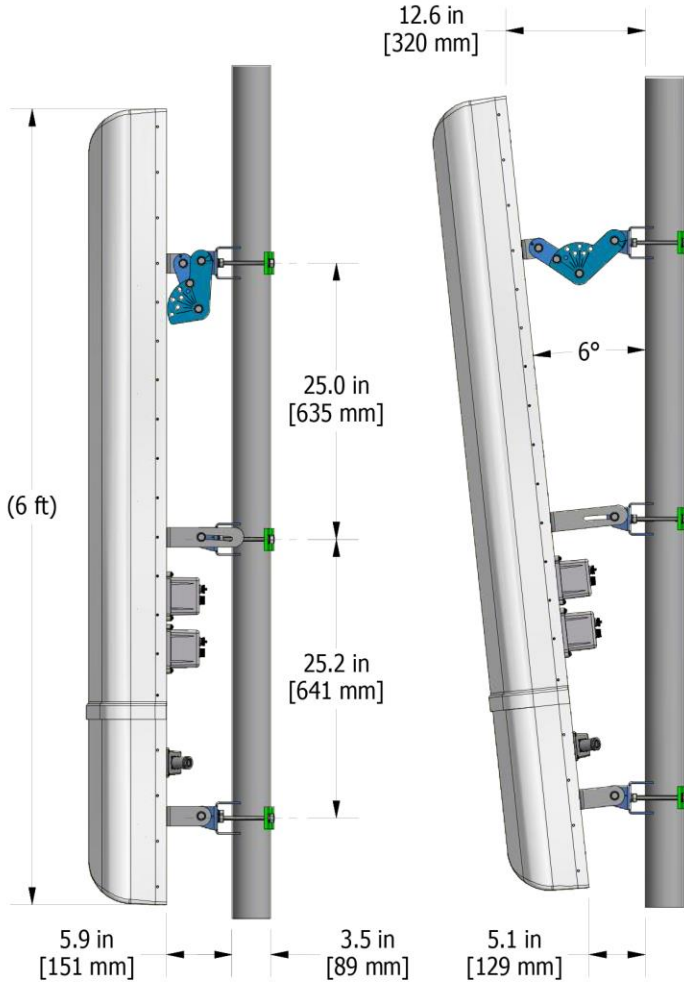
OTHER ORDERING INFORMATION

MODEL	DESCRIPTION
992100-CA013-SC	AISG Jumper cable, M/F, 1.3 meters

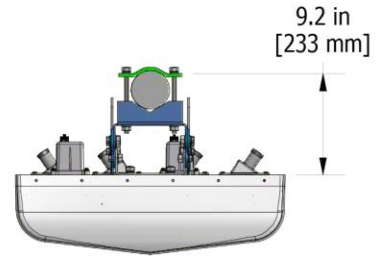
MECHANICAL VIEWS – X7CQAP-FRO-633-VR



STANDARD BRACKET KIT – 919032



CSS P/N: 919032 BRACKET KIT, 6 DEG D-TILT
 SHOWN MOUNTED ON 3.5" O.D. POLE
 3.5" O.D. MAX POLE SIZE



OPTIONAL BRACKET KIT – 919049

