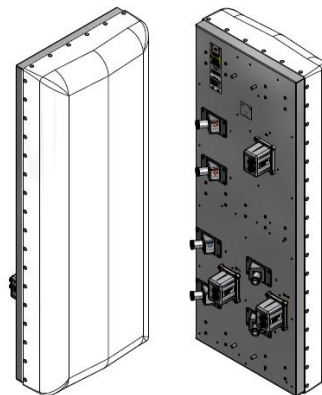


## X7CQAP-FRO-445-V

1 Xpol Low Band 2 Xpol in High Band, 698-896/1695-2180 MHz, 50.5", 45° Fast Roll Off H-Beam

Variable E-Tilt, RET

- 6 Port: 2 Port Low Band and 4 Port MIMO for High Band
- 1 Low Band, 2 High Band Antennas in a single radome, all with separate tilts
- Broadband radiator including AWS-3
- Fast Roll Off (FRO)
- Macro Cell antenna
- Suitable for LTE/CDMA/UMTS/GSM
- AISG 2.0 RET control



## ELECTRICAL SPECIFICATIONS

Frequency Band, MHz	698-824	824-896	1695-1880	1850-1990	1920-2180
Horizontal Beam Width, 3dB points	47°	42°	47°	45°	44°
Gain, dBi	15.8	16.3	17.0	17.5	17.2
Vertical Beam Width, 3dB points	17.5°	15.6°	7.4°	7.2°	7.0°
Upper Side Lobe Suppression, Typical, dB	<-16	<-16	<-16	<-16	<-16
Cross Polar Ratio (CPR) at Bore Sight, dB	>20	>20	>20	>20	>20
Cross Polar Ratio (CPR) at Sector +/- 45°, dB	>10	>10	>7	>9	>10
Front-to-Back at 180°, dB	> 30		> 28		
Polarization	+/-45°		2x +/-45°		
Electrical Down Tilt	0°-12° or 4°-16°		0°-6° or 4°-10°		
VSWR/Return Loss, dB, Maximum	1.5:1/14.0		1.5:1/14.0		
Isolation Between Ports, dB, Minimum	>26		>26		
Intermodulation (2x20w), IM3, dBc, Maximum	-153		-153		
Impedance, ohms	50		50		
Maximum Power Per Connector, CW (w)	500		250		

## MECHANICAL SPECIFICATIONS

Dimensions, Length/Width/Depth	50.5 x 18.8 x 7.8 in. (1282/478/196 mm)
Connector (Quantity) Type	(6 total: 2 low, 4 high band) 7-16 DIN Female
Connector Torque	220-265 lbf-in (23-30 N-m)
Connector Location	Back
Antenna Weight	37 lbs (16.8 kg)
Bracket Weight	18.2 lbs (8.25 Kg)
Standard Bracket Kit	919061 (included)
Mechanical Down Tilt Range	0°-12°
Radome Material	High Strength Luran, UV Stabilized, ASTM D1925
Wind Survival	150 mph (241 km/h)
Front Wind Load @100mph	163.8 lbf (728.8 N) @100mph
Equivalent Flat Plate @ 100mph	3.26 sq-ft (c=2) @ 100mph

## RET INFORMATION

Model	CSS-RET-200
Mounting Location	Rear of Antenna
Weight	1.2 lb (0.54 kg)
Communication Standard	AISG 2.0
Control System	PCU-1000



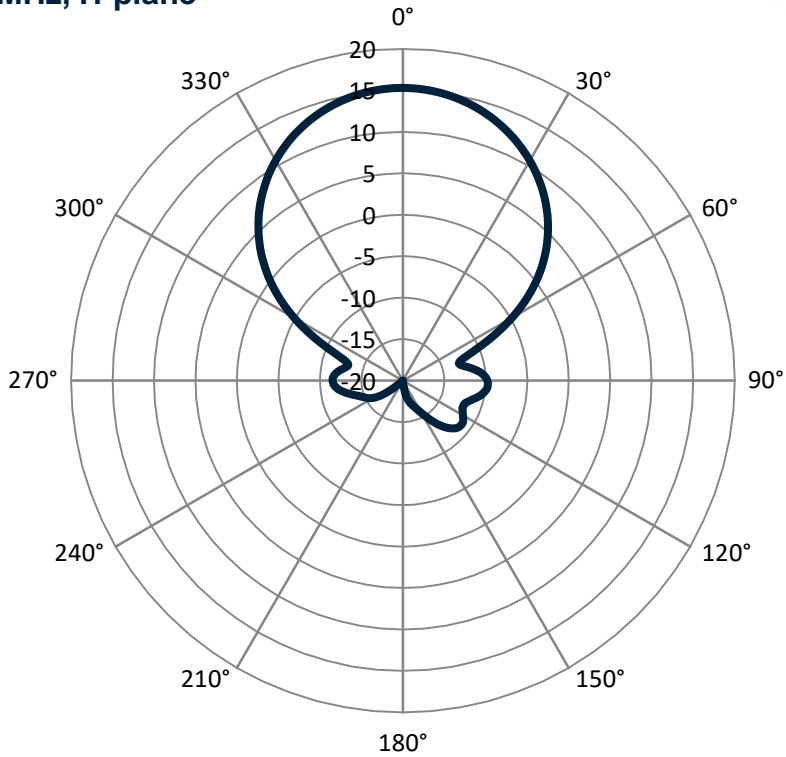
## ORDER INFORMATION

MODEL	DESCRIPTION
X7CQAP-FRO-445-VR0	Remote motor adjust variable e-tilt (RET), EDT 0-12° low band and 0-6° high band
X7CQAP-FRO-445-VR4	Remote motor adjust variable e-tilt (RET), EDT 4-16° low band and 4-10° high band

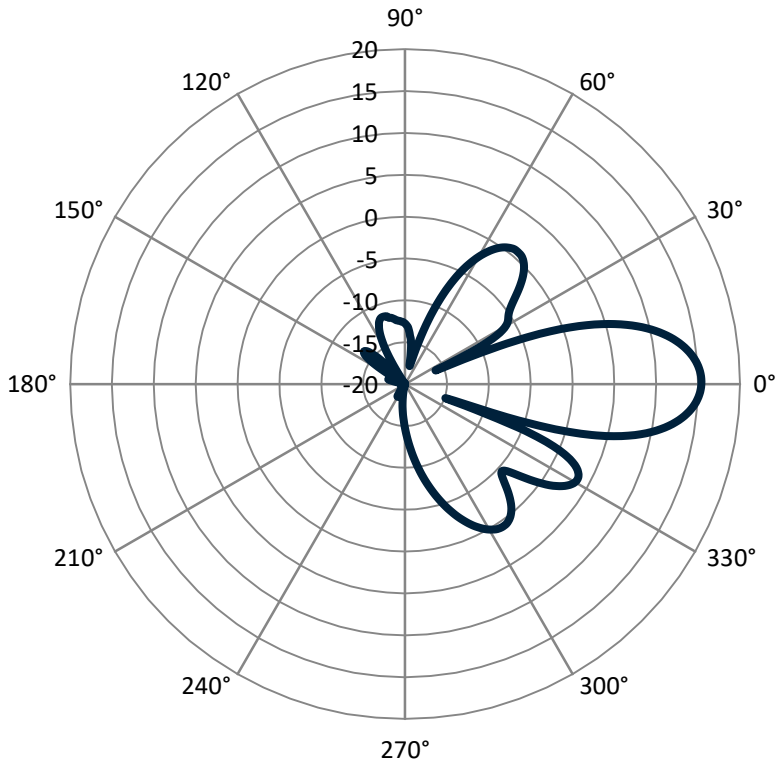
## RET ORDERING INFORMATION

MODEL	DESCRIPTION
992100-CA005-SC	AISG Jumper Cable, M/F, 0.5 meters

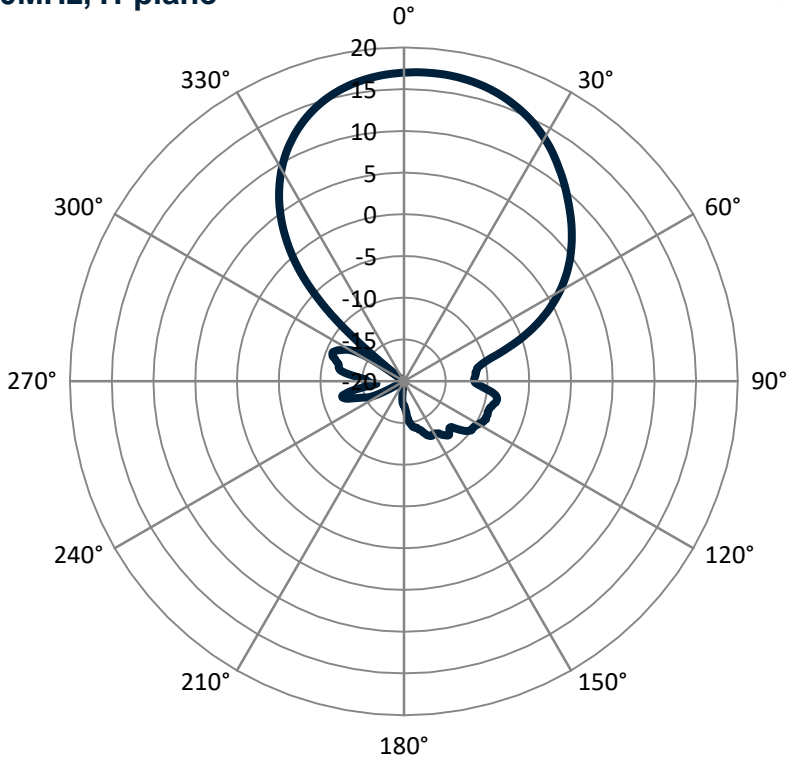
### Pattern Plot:750MHz, H-plane



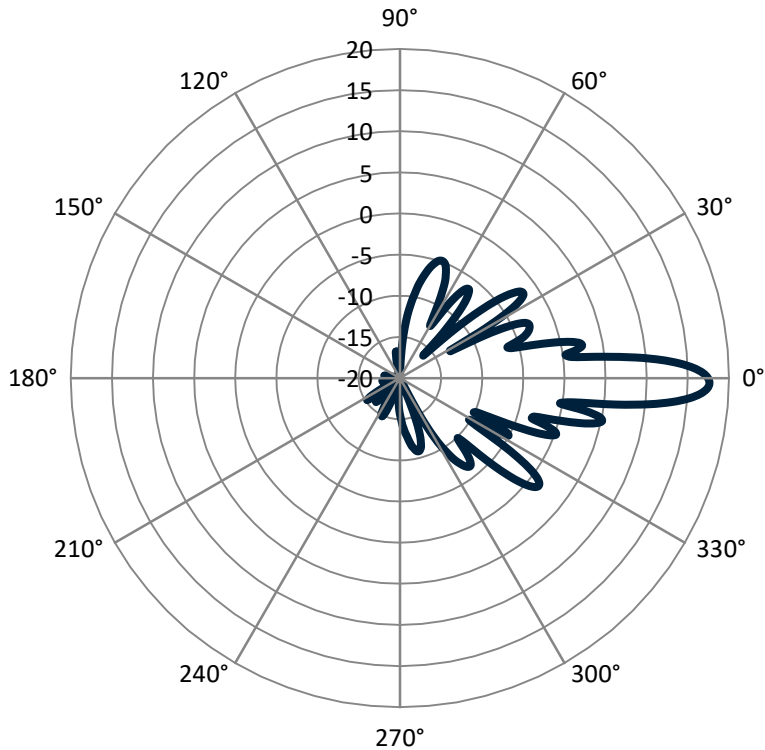
### Pattern Plot: 750MHz, E-plane



### Pattern Plot: 1910MHz, H-plane

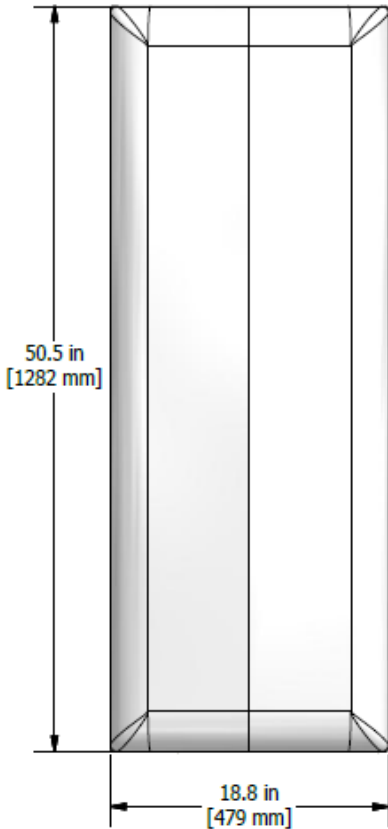


### Pattern Plot: 1910MHz, E-plane

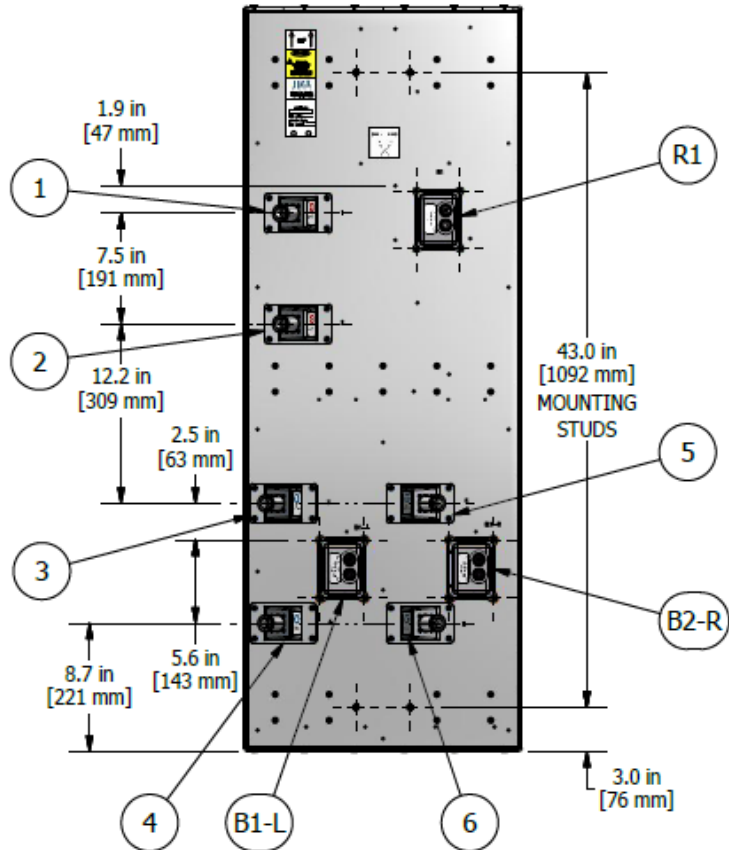


### Mechanical Outline Drawing: RET Version

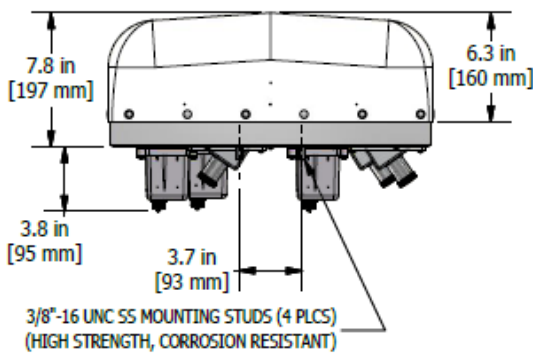
FRONT VIEW



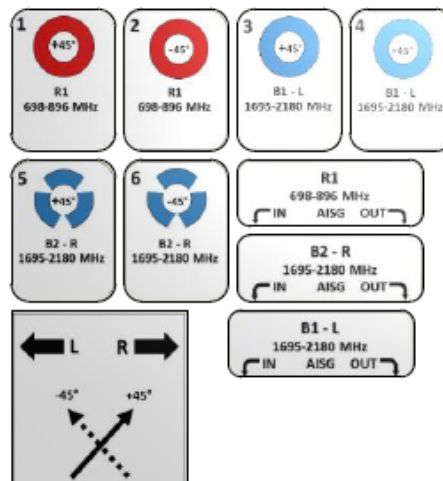
BACK VIEW



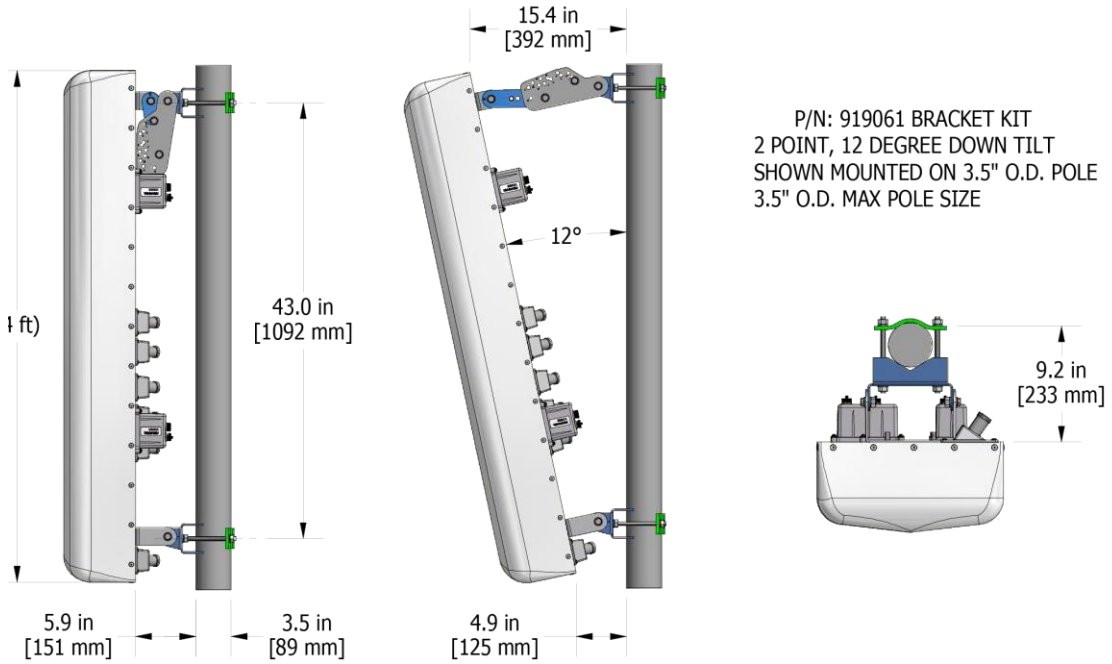
BOTTOM VIEW



PORT / RET LABELING



### Standard Bracket Kit - 919061



### Optional Bracket Kit

