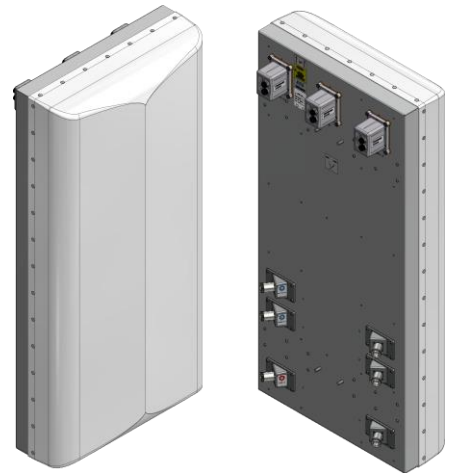


X7CQAP-FRO-433-V

+/- 45° polarization, (1) 698-896 MHz & (2) 1710-2180 MHz antennas, 50" length, Fast Roll Off (FRO) 33° horizontal pattern, variable E-Tilt

- FRO improves intra- and inter-cell SINR
- Separate housing and reflector construction optimizes RF performance while maximizing mechanical strength
- Good passive intermodulation (PIM) performance reduces harmful interference
- Independent tilt per array
- Suitable for LTE/CDMA/UMTS/GSM
- AISG 2.0 RET control



ELECTRICAL SPECIFICATIONS

Frequency band, MHz	698-824	824-896	1695-1880	1880-1990	1990-2180
Horizontal beamwidth, 3 dB points	34°	30°	38°	38°	36°
Gain, dBi	17.2	17.8	18.7	18.8	18.8
Vertical beamwidth, 3 dB points	17.5°	15.9°	8.1°	7.6°	7.2°
Upper side lobe suppression, typical, dB	<-16	<-16	<-16	<-16	<-16
Front-to-back at 180°, dB	> 30		> 28		
Polarization	+/-45°		2x +/-45°		
Electrical downtilt	0°-20°		0°-12°		
VSWR/return loss, dB, maximum	1.5:1/14.0		1.5:1/14.0		
Isolation between ports, dB, minimum	>28		>28		
Co-pole isolation inter-antenna	N/A		> 28		
Intermodulation (2x20 W), IM3, dBc	-153		-153		
Impedance, ohms	50		50		
Maximum power per connector, CW (W)	500		250		

MECHANICAL SPECIFICATIONS

Dimensions, length/width/depth	50.5 x 24 x 9.1 in. (1283/610/230 mm)
Connector (quantity) type non-IP model	(6 total: 2 low-, 4 high-band) 7-16 DIN female
Connector torque	220-265 lbf-in (23-30 N-m)
Connector location	back
Antenna weight	54.5 lbs. (24.72 kg)
Bracket weight	13.2 lbs. (6.0 kg)
Standard bracket kit	P/N 919046 (Included)
Mechanical downtilt range	0°- 9°
Radome material	high-strength Luran [®] UV stabilized, ASTM D1925
Wind survival	130 mph (209 km/h)
Front wind load @100 mph	240.2 lbf (1068.7 N) @100mph
Equivalent flat plate @100 mph	8.0 sq. ft. (c=2) @ 100mph

RET INFORMATION

Model	RET-200
Mounting location	Rear of antenna
Communication standard	AISG 2.0
Control system	PCU-1000



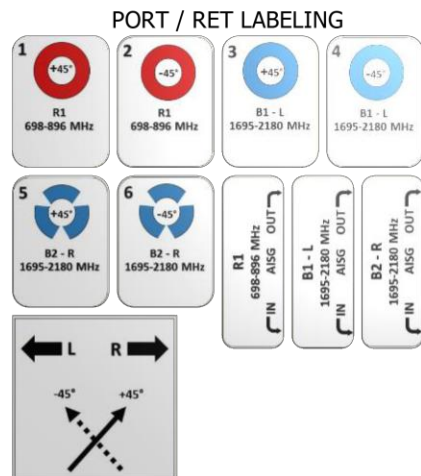
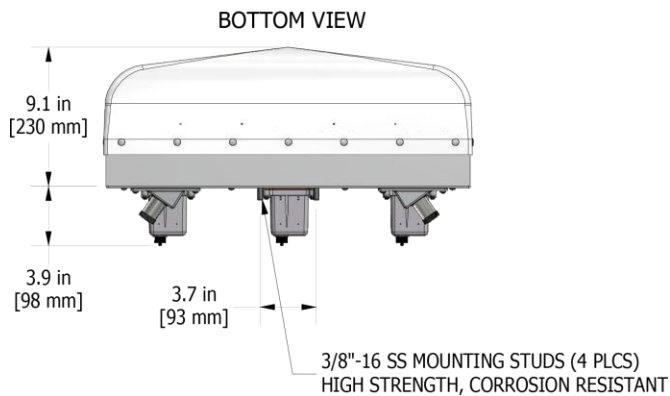
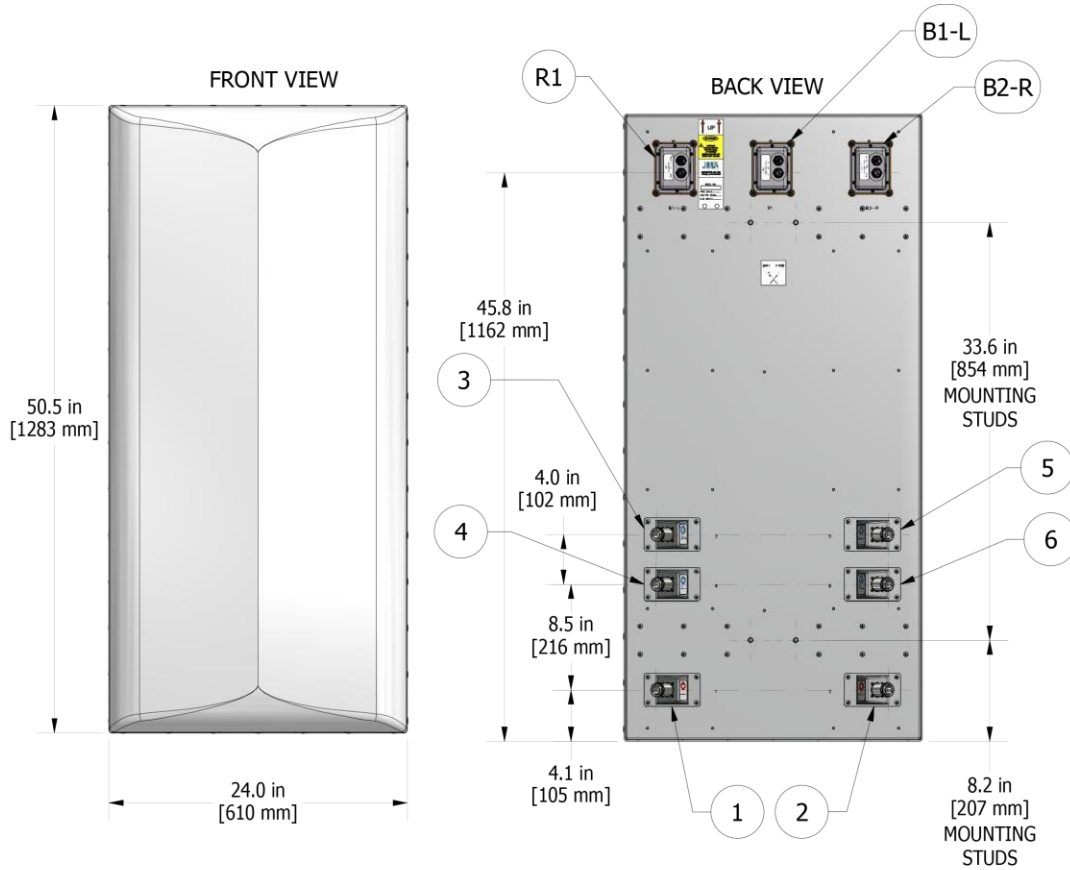
ORDER INFORMATION

MODEL	DESCRIPTION
X7CQAP-FRO-433-VR	4F, HEX, FRO, 33°, 0-20°/ 0-12° EDT with remote adjust E-tilts (EDT)

RET ORDERING INFORMATION

MODEL	DESCRIPTION
992100-CA005-SC	AISG jumper cable, M/F, 0.5 meters

MECHANICAL VIEWS: X7CQAP-FRO-433-VR



Standard bracket kit

