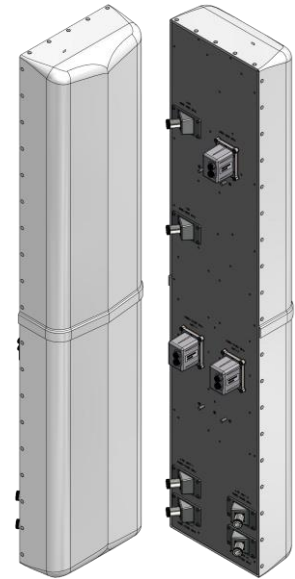


## X7CQAP-665-V

1 Xpol Low Band 2 Xpol in High Band, 698-896/1695-2180MHz,  
72", 65° H-Beam

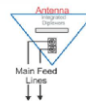
Variable E-Tilt, RET

- 6 Port Macro Cell Antenna:
  - One 6' Low Band, Two 6' High Band Antennas in a Single Radome, all with Separate Tilts
- Quantity 3 RET Setup
- Suitable for LTE/CDMA/UMTS/GSM
- AISG 2.0 RET Control
- Optional Internal Diplexers



**Available with Integrated Diplexers**

Reduces mainline cables  
Eliminates external devices



## ELECTRICAL SPECIFICATIONS

Frequency Band, MHz	698-824	824-896	1695-1880	1850-1990	1920-2180
Horizontal Beam Width, 3dB points	65°	60°	65°	67°	68°
Gain, dBi	15.3	15.4	16.8	16.9	17.1
Vertical Beam Width, 3dB points	13.0°	11.4°	6.2°	6.7°	6.9°
Upper Side Lobe Suppression, Typical, dB	<-16	<-16	<-16	<-16	<-16
Cross Polar Ratio (CPR) at Bore Sight, dB	>20	>20	>20	>20	>20
Cross Polar Ratio (CPR) at Sector +/- 60°, dB	>10	>6	>9	>10	>10
Front-to-Back at 180°, dB	> 28		> 28		
Polarization	+/-45°			2x +/-45°	
Electrical Downtilt	0°-10° or 4°-14°		0°-6° or 4°-10°		
VSWR/Return Loss, dB, Maximum	1.5:1/14.0			1.5:1/14.0	
VSWR/Return Loss, dB, with IPB Maximum	1.6:1/12.7			1.6:1/12.7	
Isolation Between Ports, dB, Minimum	>28			>28	
Co – Polar Isolation Inter Antenna	N/A			> 28	
Intermodulation (2x20w), IM3, dBc	-153			-153	
Impedance, ohms	50			50	
Maximum Power Per Connector, CW (w)	500			250	

## MECHANICAL SPECIFICATIONS

Dimensions, Length/Width/Depth	72.0/14.6/7.3 in (1829/371/185mm)
Connector Quantity Type non-IP Model	6 total: 2 low band, 4 high band 7-16 DIN Female
Connector Quantity Type IP Model	4 total: 2 High band, 2 diplexed LB& HB, 7-16 DIN Female
Connector Torque	220-265 lbf-in (23-30 N-m)
Connector Location	Back or (Bottom for Internally Diplexed Version)
Antenna Weight	45 lbs (20.4Kg)
Bracket Weight	13.2 lbs (5.99Kg)
Standard Bracket Kit	919011 (Included)
Mechanical Downtilt Range	0°-12°
Radome Material	High Strength Luran, UV Stabilized, ASTM D1925
Wind Survival	150 mph (241 km/h)
Front Wind Load @100mph	211.6 lbf (941.4 N)
Equivalent Flat Plate @ 100mph	4.22 sq-ft (c=2) @100 mph

## RET INFORMATION

Model	RET-200
Mounting Location	Back
Weight	1.2 lb (0.54 kg)
Communication Standard	AISG 2.0
Control System	PCU-1000



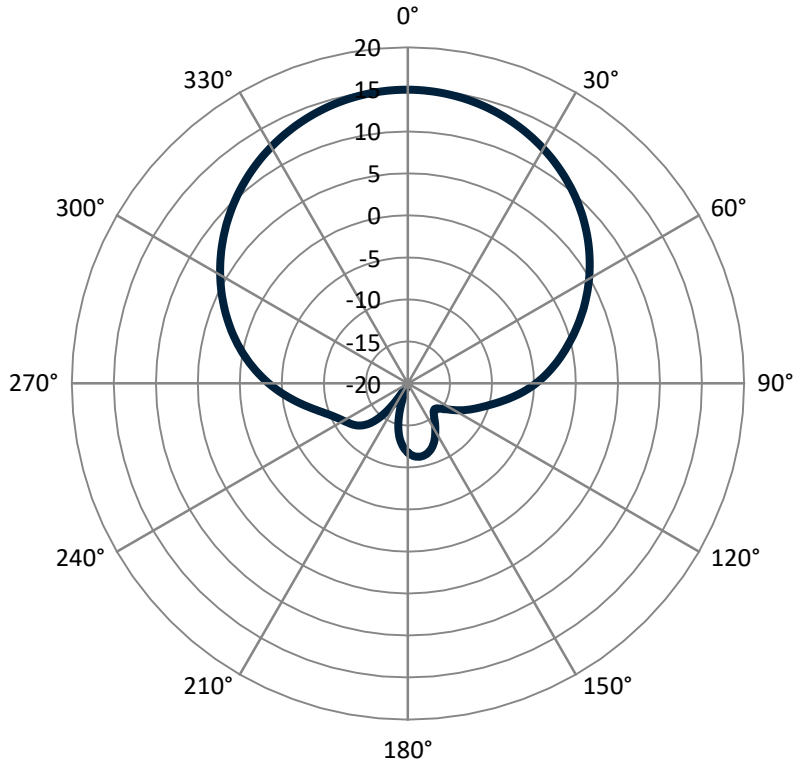
## ORDER INFORMATION

MODEL	DESCRIPTION
X7CQAP-665-VR0	Remote motor adjust variable e-tilt (RET), EDT 0-10° low band and 0-6° high band
X7CQAP-665-VR4	Remote motor adjust variable e-tilt (RET), EDT 4-14° low band and 4-10° high band
X7CQAP-665-VR0-IPB	Remote motor adjust variable e-tilt (RET), EDT 0-10° low band and 0-6° high band w/ internal diplexers and bottom fed connectors
919036	Optional Bracket Kit, 2-Point, 12deg D-tilt, For 4.5" OD Pole

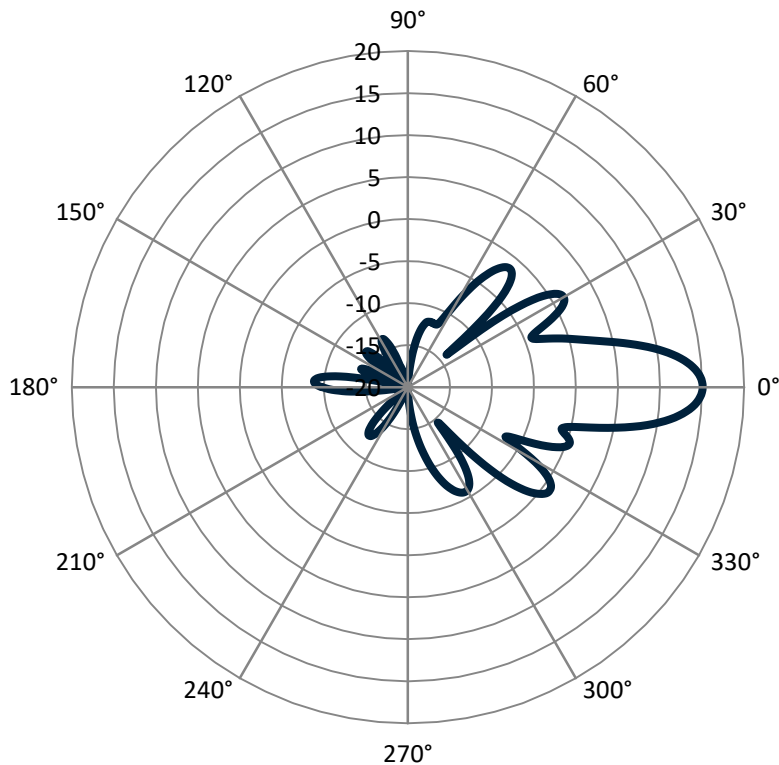
## RET ORDERING INFORMATION

MODEL	DESCRIPTION
992100-CA013-SC	AISG Jumper Cable, M/F, 1.3 meters

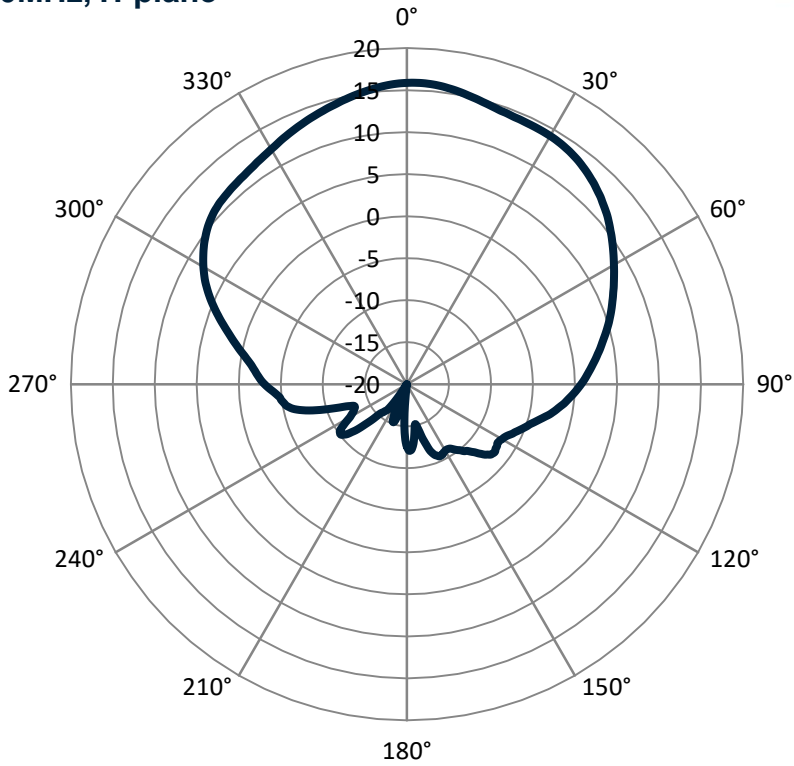
### Pattern Plot:750MHz, H-plane



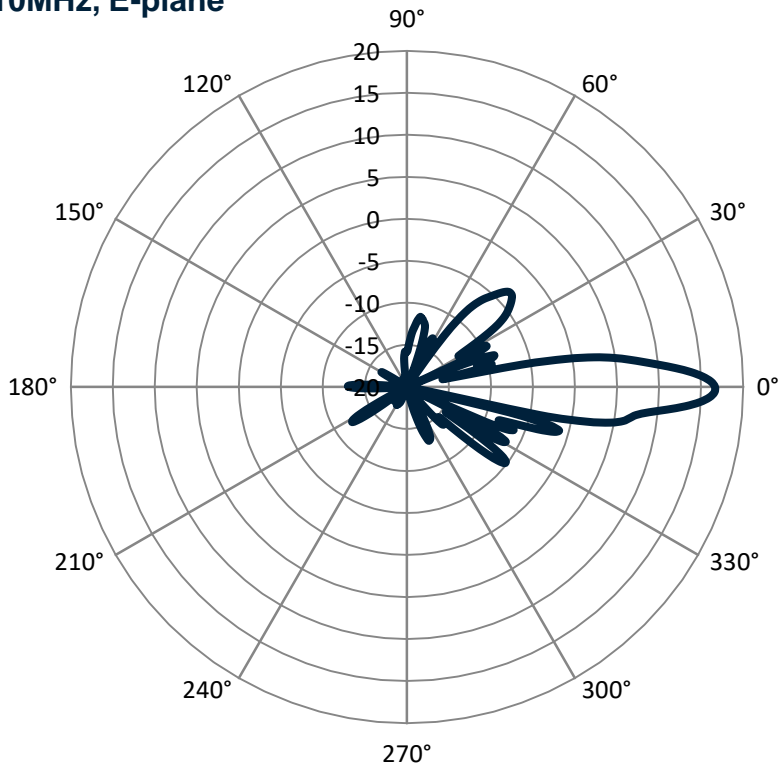
### Pattern Plot: 750MHz, E-plane



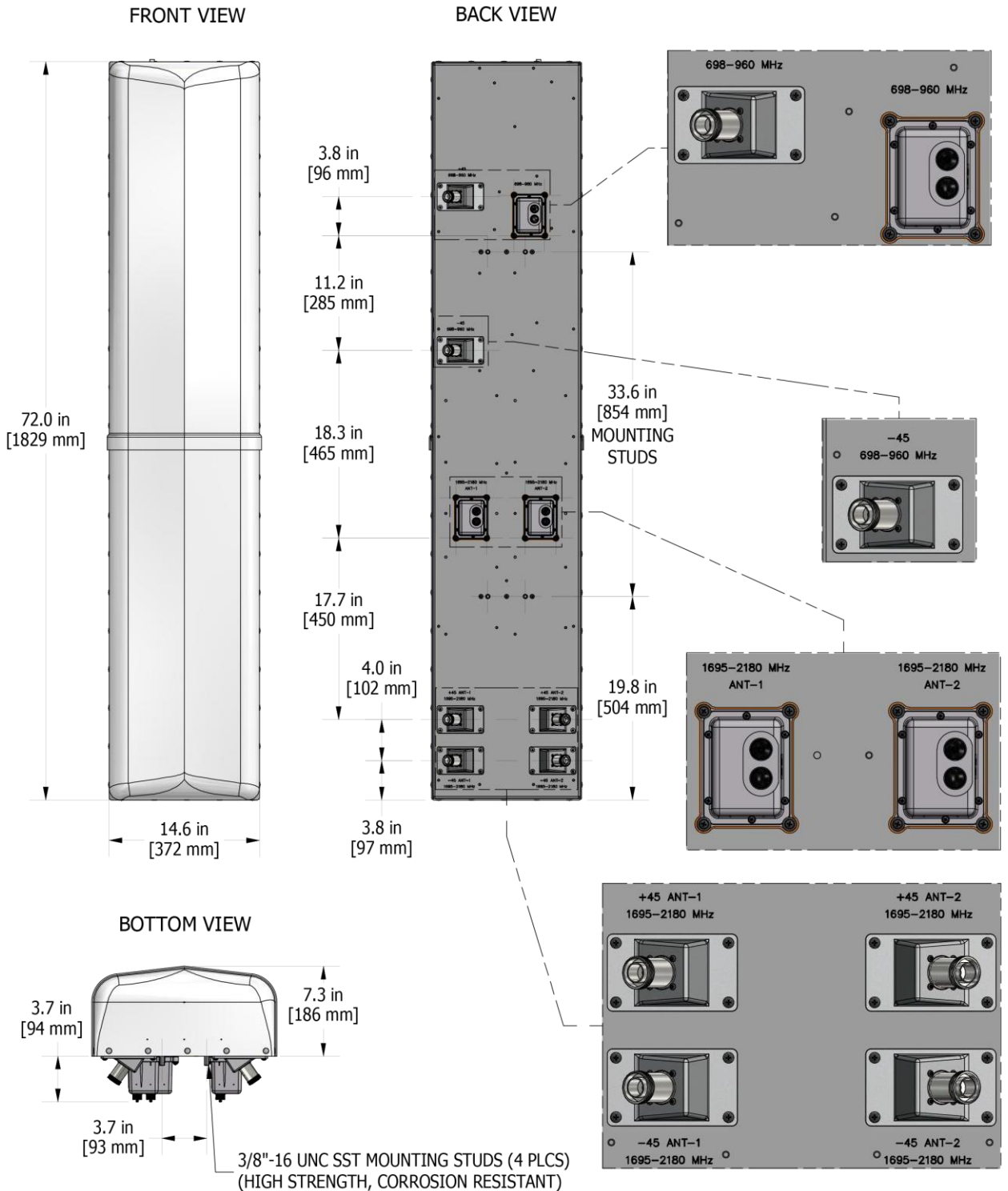
### Pattern Plot: 1910MHz, H-plane



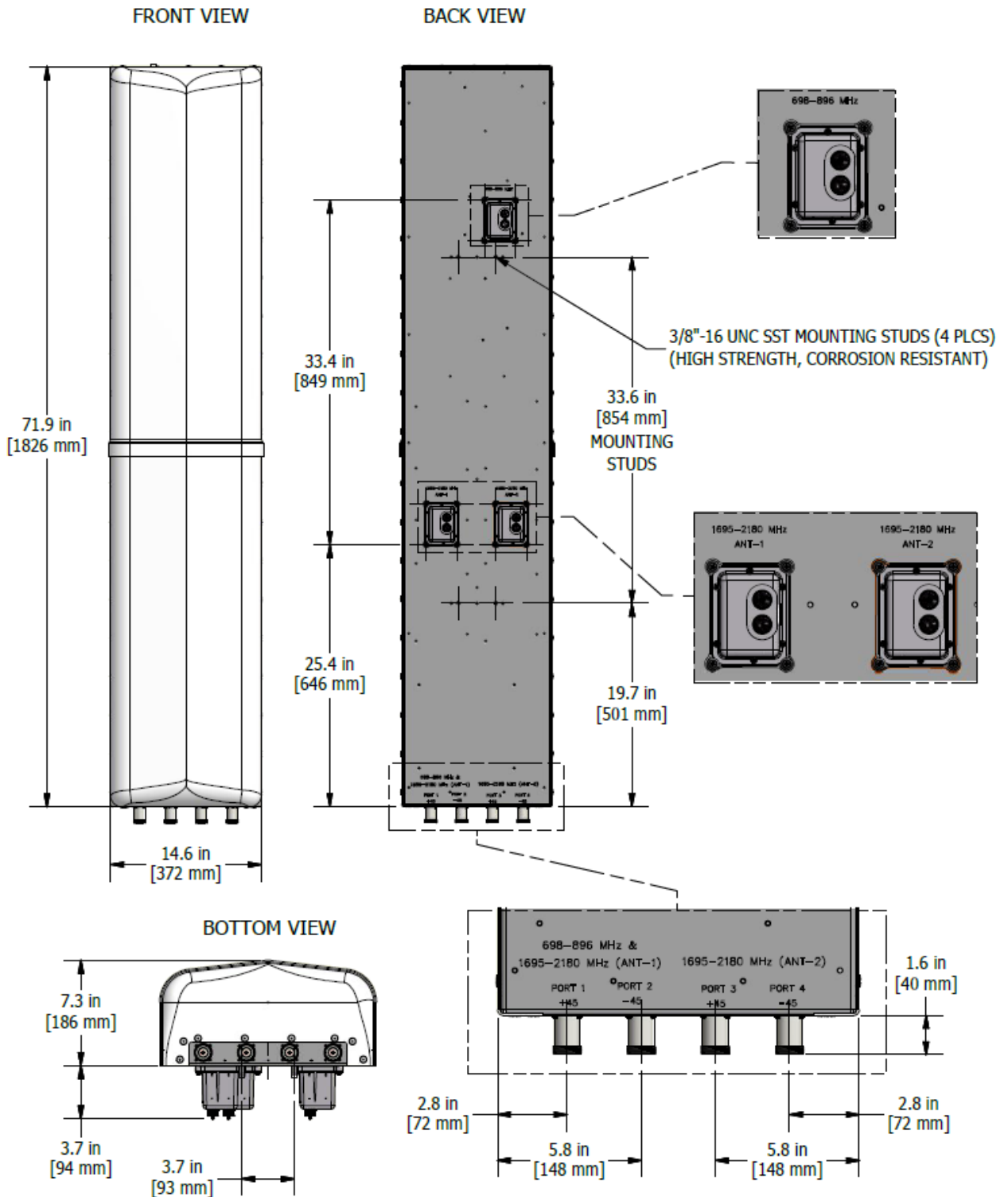
### Pattern Plot: 1910MHz, E-plane



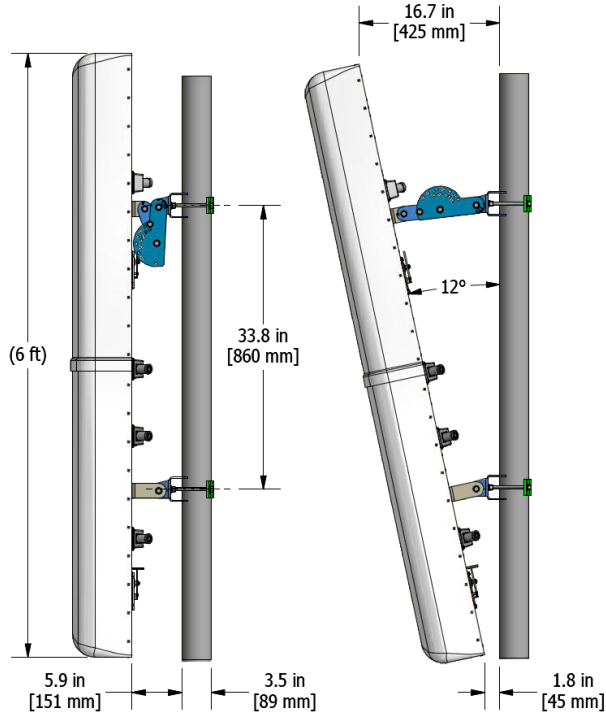
### Mechanical Outline Drawing: RET Version



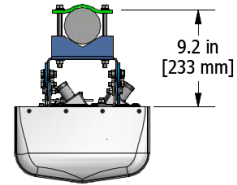
### Mechanical Outline Drawing: Internally Diplexed Bottom Connector Version



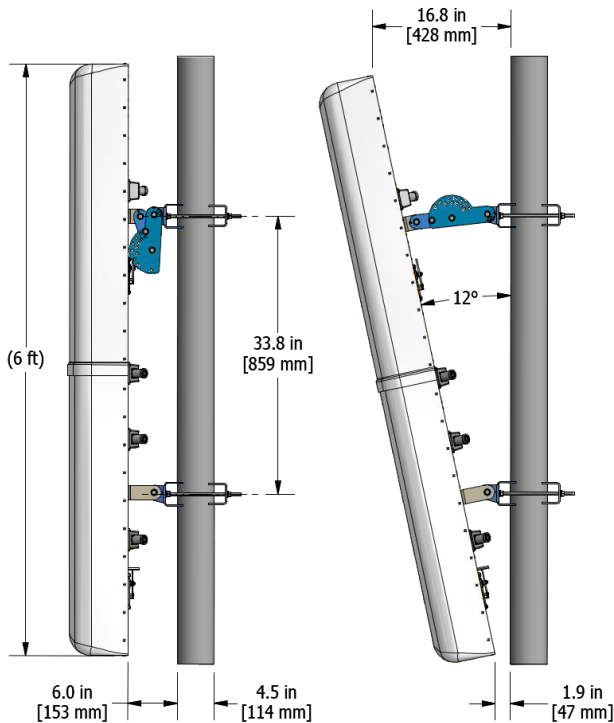
### Standard Bracket Kit



CSS P/N: 919011 BRACKET KIT  
 2 POINT, 12 DEGREE DOWN TILT  
 SHOWN MOUNTED ON 3.5" O.D. POLE  
 3.5" O.D. MAX POLE SIZE



### Optional Bracket Kit



CSS P/N: 919036 BRACKET KIT  
 2 POINT, 12 DEGREE DOWN TILT  
 SHOWN MOUNTED ON 4.5" O.D. POLE  
 4.5" O.D. MAX POLE SIZE

