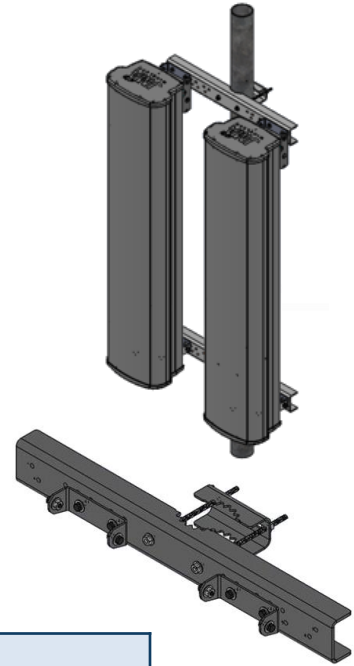


Dual-mount antenna bracket

- Enables optimal spacing for low-band 4T4R beamforming by allowing for two of the same antenna on one bracket
- Mechanical tilt in line with specified antenna
- Spacing achieved can be 3/4", 2", or 12" (edge-to-edge) dependent on antenna model
- Compatible with MX*, MC*, X7C*, C7C* antenna ranges

Spacing options between dual antennas

| | |
|-----------------------------|---|
| X7C* and C7C* models | 2 of same antennas locked at 2" spacing |
| | Example: (2) X7CQAP-FRO-645-V can be locked at 2" of spacing |
| MX*, MC* models | 2 of same antennas locked at 3/4", 2", or 12" spacing |
| | Example: (2) MX08FRO660-02 can be locked at 2" or 12" spacing (see above image) |



Dual-mount bracket assembled

Brackets needed per antenna type

| | | | | | |
|-----------------------------|--------------------------------------|---------------|---------------|--|------------------------------------|
| X7C* and C7C* models | All 4' and these 6' antennas: | | | | 91900314-02 (2 brackets needed) |
| | X7CQAP-FRO-645-V | X7CAP-665-V | X7C-665-V | | |
| | X7CQAP-FRO-660-V | X7C-FRO-640-V | X7C-680-V | | |
| | X7CQAP-665-V | X7C-FRO-660-V | C7C-FRO-656-V | | |
| X7C* and C7C* models | All 8' and this 6' antenna: | | | | 91900314-03 (3 brackets needed) |
| | X7CAP-FRO-640-V | | | | |
| MX*, MC* models | 4', 6' antennas | | | | 91900314-02 |
| | 8' antennas | | | | 91900314-03 |

Mechanical specifications

| | |
|--|--|
| Weight per bracket, lb (kg) | 28 lb (12.7 kg) – dual mount bracket parts only |
| Range of allowable mechanical up/down tilt | Tilt range is not affected by dual mount bracket (see antenna datasheet) |
| Rated wind survival speed, mph (km/h) | 150 mph (241 km/h) |
| Material specification | 0.16" to 0.25" thick hot-dipped, galvanized steel |

Ordering information

| Mounting bracket model | Description |
|------------------------|---|
| 91900314-01 | Single dual-mount antenna bracket assembly (see table above, "Brackets per antenna type") |
| 91900314-02 | Two dual-mount antenna bracket assemblies |
| 91900314-03 | Three dual-mount antenna bracket assemblies |

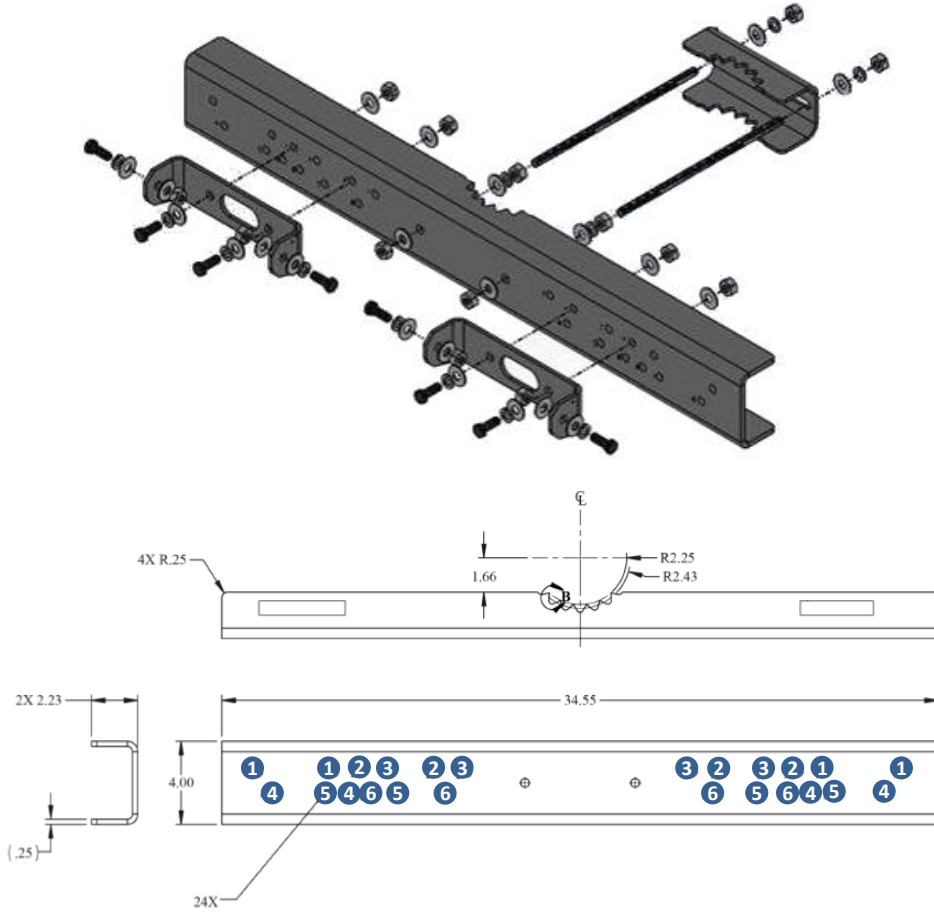
*Compatible antennas

4'–8' Quad-, Hex-, and Octo-Port macro antennas in the X7C; C7C; X7CAP; C7CAP; X7CQAP; MX, MC models

Installation instructions

| | |
|----------|--|
| 81900506 | Installation instructions for dual-mount bracket assembly (comes with kit) |
|----------|--|

Dual-mount bracket assembly guide overview



| Model types beginning with: | Antenna width | Corresponding hole position | Resulting spacing between antennas |
|-----------------------------|------------------------|-----------------------------|------------------------------------|
| MX*, MC* | 15.4" (wide spacing) | 1 | 12" |
| | 15.4" (narrow spacing) | 2 | 2" |
| | 12" | 3 | 2" |
| | 20" | 5 | 3/4" |
| X7C*, C7C* | 12.5" | 3 | 2" |
| | 24.0" | 4 | 2" |
| | 18.8" | 5 | 2" |
| | 14.6" | 6 | 2" |