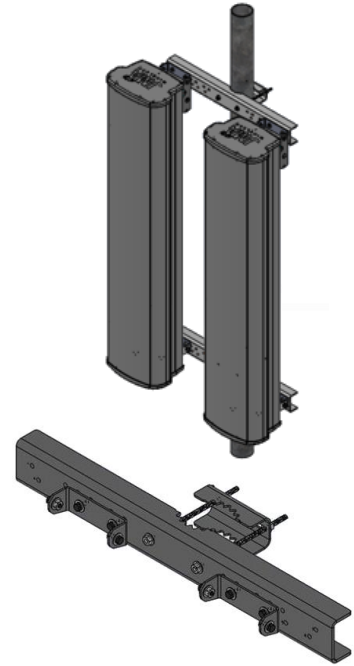


### Dual-mount antenna bracket

- Enables optimal spacing for low-band 4T4R beamforming by allowing for two of the same antenna on one bracket
- Mechanical tilt in line with specified antenna
- Spacing achieved can be 3/4", 2", or 12" (edge-to-edge) dependent on antenna model
- Compatible with MX\*, MC\*, X7C\*, C7C\* antenna ranges

### Spacing options between dual antennas

<b>X7C* and C7C* models</b>	2 of same antennas locked at 2" spacing
	Example: (2) X7CQAP-FRO-645-V can be locked at 2" of spacing
<b>MX*, MC* models</b>	2 of same antennas locked at 3/4", 2", or 12" spacing
	Example: (2) MX08FRO660-02 can be locked at 2" or 12" spacing (see above image)



### Brackets needed per antenna type

<b>X7C* and C7C* models</b>	<b>All 4' and these 6' antennas:</b>				2 brackets needed
	X7CQAP-FRO-645-V	X7CAP-665-V	X7C-665-V		
	X7CQAP-FRO-660-V	X7C-FRO-640-V	X7C-680-V		
	X7CQAP-665-V	X7C-FRO-660-V	C7C-FRO-656-V		
	<b>All 8' and this 6' antenna:</b>				
	X7CAP-FRO-640-V				3 brackets needed
<b>MX*, MC* models</b>	<b>4', 6' antennas</b>				2 brackets needed
	<b>8' antennas</b>				3 brackets needed

**Dual-mount bracket assembled**

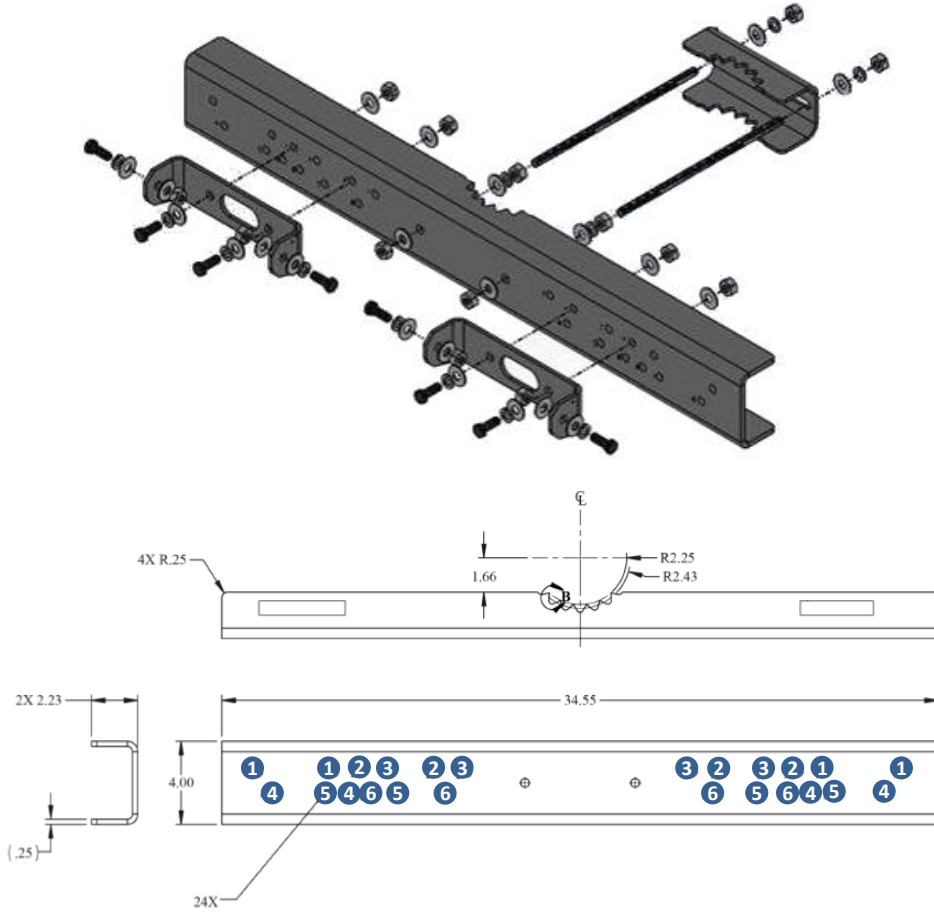
### Mechanical specifications

Weight per bracket, lb (kg)	28 lb (12.7 kg) – dual mount bracket parts only
Range of allowable mechanical up/down tilt	Tilt range is not affected by dual mount bracket (see antenna datasheet)
Rated wind survival speed, mph (km/h)	150 mph (241 km/h)
Material specification	0.16" to 0.25" thick hot-dipped, galvanized steel

### Ordering information

Mounting bracket model	Description
91900314	Dual-mount antenna bracket assembly (for ordering quantities, see table above, "Brackets per antenna type")
<b>*Compatible antennas</b>	
4'–8' Quad-, Hex-, and Octo-Port macro antennas in the X7C; C7C; X7CAP; C7CAP; X7CQAP; MX, MC models	
<b>Installation instructions</b>	
81900506	Installation instructions for dual-mount bracket assembly (comes with kit)

### Dual-mount bracket assembly guide overview



Model types beginning with:	Antenna width	Corresponding hole position	Resulting spacing between antennas
MX*, MC*	15.4" (wide spacing)	1	12"
	15.4" (narrow spacing)	2	2"
	12"	3	2"
	20"	5	3/4"
X7C*, C7C*	12.5"	3	2"
	24.0"	4	2"
	18.8"	5	2"
	14.6"	6	2"