

Wide Diameter Pole-Top Mount

SC-BKT-WTPE-XX



Small Cell solutions

JMA Wireless’s proven mounting solutions are ideal complements to all infrastructure upgrades or retrofit projects. Our standard systems integrate with any antenna and radio configurations, effortlessly blend into urban/suburban environments, and withstand harsh weather conditions. This platform accommodates multiple shapes, sizes, and weights, providing flexibility for future hardware needs. The product portfolio includes ultra-RF transparent, maintenance-free coverings, high-strength steel mounting brackets, and light-weight, durable carbon fiber poles.



JMA Wireless antenna (sold separately)

*Not shown: optional shroud for wide-diameter bracket

General specifications

- All steel construction
- Accommodates 5” to 14” poles
- Color matching options
- All hardware included (Note: The 7/8” bolt for attaching the antenna is included with antenna)
- Easy installation on wood or steel

Ordering information

Part number	Description
SC-BKT-WTPE-BR	Wide diameter pole top mount w/sleeve - brown
SC-BKT-WTPE-GR	Wide diameter pole top mount w/sleeve - gray
SC-BKT-WTPE-BL	Wide diameter pole top mount w/sleeve - black
SC-BKT-WTPE-SL	Wide diameter pole top mount w/sleeve - silver
Optional shrouds, CX series antennas (sold separately)	Description
SC-BKT-WSACX-BR	Cable concealment shroud, CX series - brown
SC-BKT-WSACX-GR	Cable concealment shroud, CX series - gray
SC-BKT-WSACX-BL	Cable concealment shroud, CX series - black
SC-BKT-WSACX-SL	Cable concealment shroud, CX series - silver

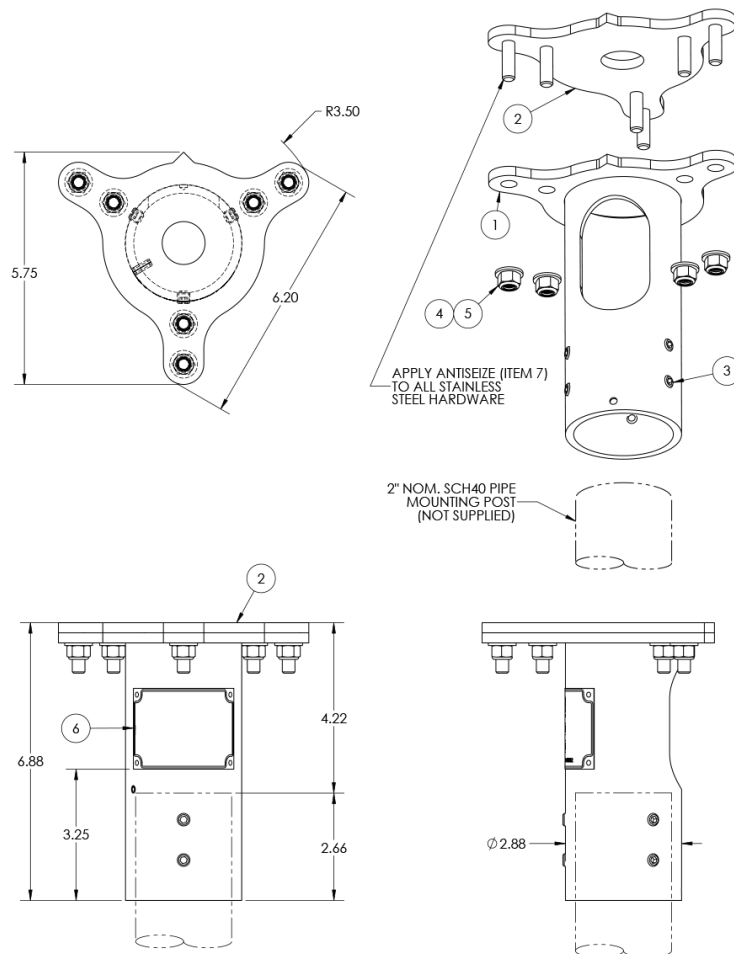
Wide Diameter Pole-Top Mount

SC-BKT-WTPE-XX



Mechanical Drawings: SC-BKT-SLA, Universal Antenna Sleeve (included)

Item no.	Qty	Description
1	1	UNIVERSAL CANTENNA SLEEVE WELDMENT
2	1	SINGLE BOLT ADAPTER PLATE
3	6	SET SCREW, 5/16"-18UNC, CUP POINT, 5/16" LG, 18-8 SS
4	6	WASHER, FLAT, 5/16" 18-8 SS
5	6	NUT, NYLOCK, 5/16"-18UNC, 18-8 SS
6	1	NAMEPLATE, LABEL, ADHESIVE-BACKED
7	1	CORROSION-RESISTANT ANTI-SEIZE LUBRICANT 0.14 oz



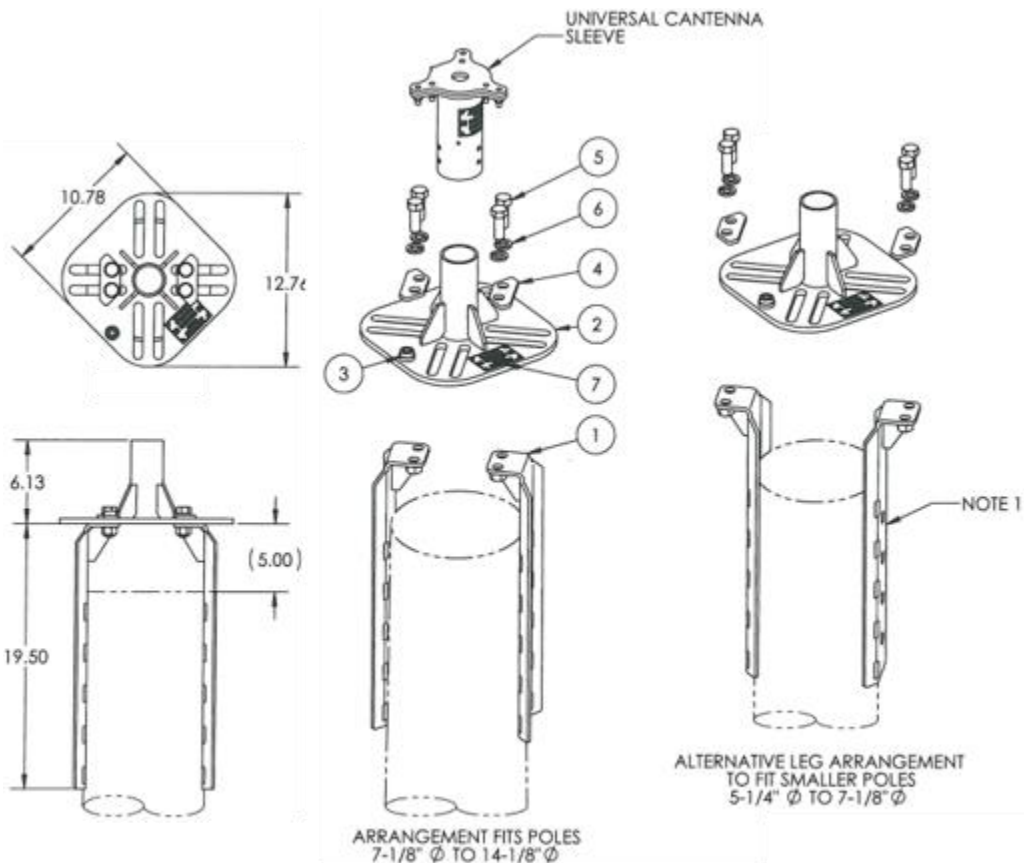
Wide Diameter Pole-Top Mount

SC-BKT-WTPE-XX



Mechanical Drawings: Pole Top Extension

Item no.	Qty	Description
1	2	POLE TOP LEG, REGULAR, WELDMENT, BROWN
2	1	MAST WELDMENT, 6" LG, BROWN
3	1	.787" DIA, ACRYLIC, BULL'S EYE PLASTIC LEVEL VIAL
4	2	ECCENTRIC WASHER PLATE, BROWN
5	4	BOLT, HEX, 5/8"-11UNC X 1.75" LG, A325, GALV
6	4	WASHER, LOCK, SPLIT 5/8", 18-8 SS
7	1	NAMEPLATE, LABEL, ADHESIVE-BACKED



- NOTES:
1. CAN BE MOUNTED WITH UP TO 4X 3/4" TIE/LAG BOLTS OR UP TO 5X 3/4" BAND CLAMPS.
 2. AN ENGINEER SHALL VERIFY THAT THE POLE THAT THIS UNIT IS MOUNTED ON AND THE CONNECTION THERETO HAS THE STRENGTH TO SAFELY SUPPORT THIS UNIT AND THE ASSOCIATED LOADS.