

TRU-OMNI-R727

V-Pol Omni Antenna, 698-2700MHz, Recess Mount

- True Omni Patterns
- Highest Gain for Ceiling Mounted Antennas
- PIM Certified @ 2 X 20 Watts
- Recess Mount Greatly Reduces Exposed Radome
- Includes Premium 12" Pig Tail Jumper
- Suitable for LTE / CDMA / UMTS / GSM / WLAN / WiMax
- UL 2043 Certified



ELECTRICAL SPECIFICATIONS

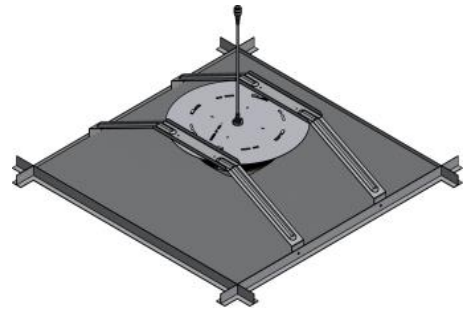
Frequency Band, MHz	698-745	746-896	897-960	1710-2180	2181-2360	2496-2700
Horizontal Beamwidth, 3dB points	360°	360°	360°	360°	360°	360°
Gain, dBi	2.9	2.9	3.1	6.4	6.9	7.3
VSWR Maximum / Return Loss, dB	1.7/11.7	1.4/15.5	1.7/11.7	1.4/15.5	1.4/15.5	1.5/14.0
Polarization	Vertical					
Intermodulation (2 X 20 W) , IM3, dBc, Maximum	-150					
Impedance, ohms	50					
Maximum Power Per Connector, CW (w)	40					

MECHANICAL SPECIFICATIONS

Dimensions, Width/Depth	9.2 / 2.0 in (234/52 mm) BELOW CEILING
Connector (Quantity) Type	(1) Type N Female or (1) "4.3-10" Female on 12" Pig tail
Connector Location	Top
Antenna Weight	1.2 lb (0.54 kg)
Radome Material	Polypropylene
Mounting	Recess Mount in non-Metallic Ceiling Tile
Application	Indoor
Operating Temperature	-40° F to +140° F (-40° C to +60° C)

OPTIONAL CEILING MOUNT BRACKET

Optional Above Ceiling Mount Bracket 919056
 Completely Conceals the Antenna



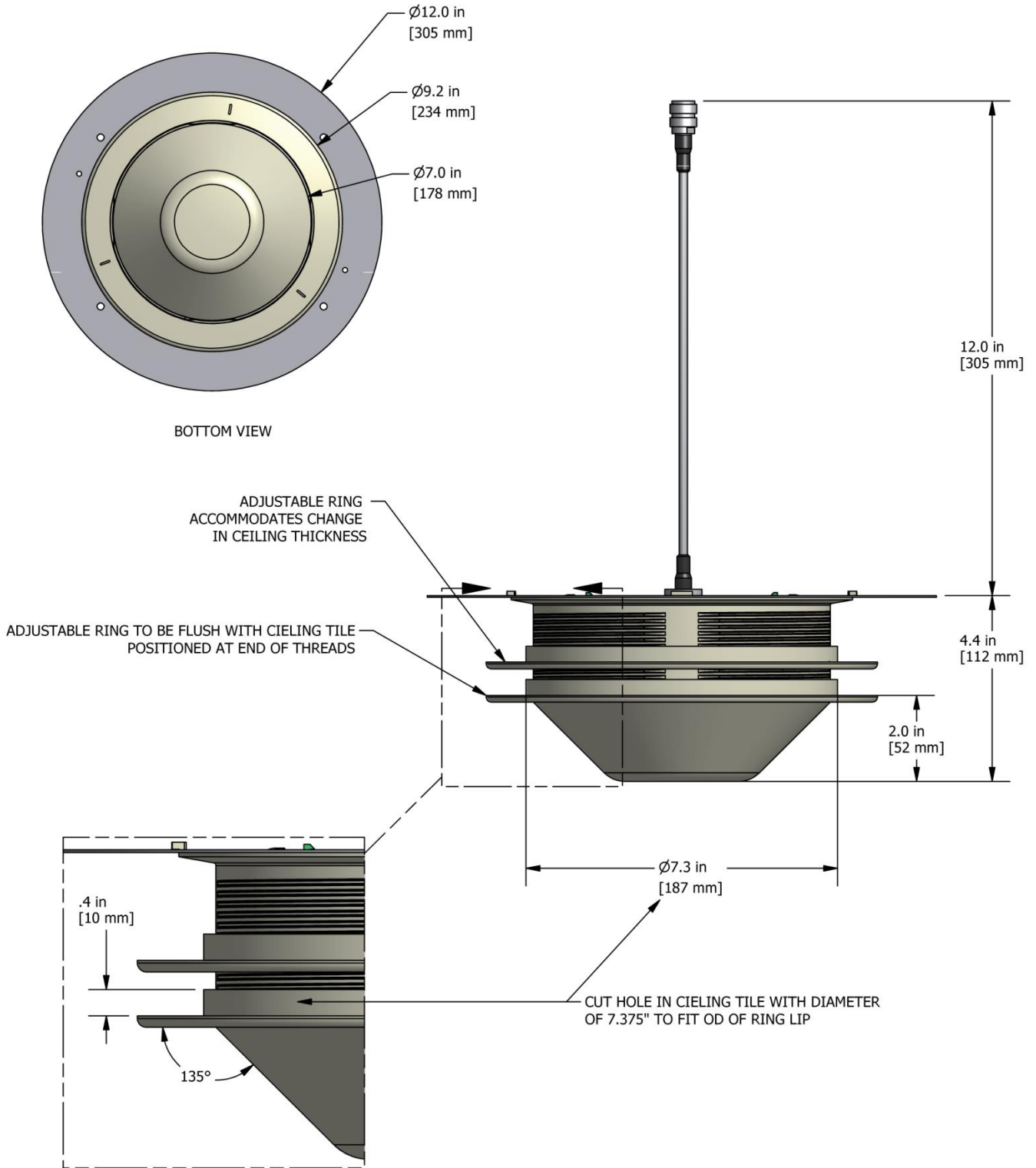
ORDER INFORMATION

MODEL	DESCRIPTION
TRU-OMNI-R727-F	Recess Mount Omni Antenna, V-Pol, 698-2700MHz, 4.3-10 Female Connector

OPTIONAL BRACKET KIT

MODEL	DESCRIPTION
919056	Above Ceiling Mounting Kit

Mechanical Outline Drawing



Optional Bracket Kit

NOTE: the Optional Bracket (919056) is designed for 2 foot ceiling space

