

TBC-67C-A-P-1SF

NWAV™ Tri-Band Combiner

DISCONTINUED



TBC-67C-A-P-1SF

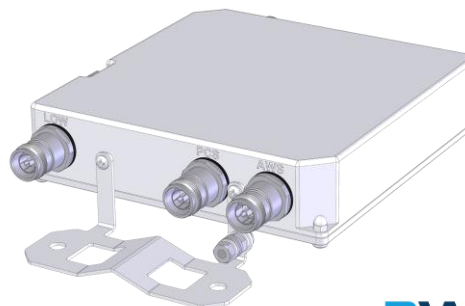
Tri-band combiner

550-894/1900/AWS (AWS-3 compatible)

DC/AISG sensing

Single unit

4.3-10 connectors



- Combines 3 wireless bands: AWS, PCS1900, and all low-band wireless frequencies including 600MHz spectrum
- Very low insertion loss and high isolation for optimized system performance
- Automatic DC sense for easy installation and site evolution
- Industry-leading connector technology for lasting performance
- Compatible with JMA WPS weatherproofing solution

Electrical specification

Passband	Low Band	1900 Band	AWS Band	
Frequency, MHz	550-894	1850 - 1995	1695 – 1780 Uplink	2110 – 2200 Downlink
Insertion loss, dB avg.	0.20		0.35	
Insertion loss, dB max.	0.15		0.3	
Return loss, dB min.			22	
Isolation to other bands, dB			60	
Average input power, W max.	250	250	n/a	250
Input peak envelope power (PEP), W max.	3000	3000	n/a	3000
PIM 2x +43 dBm, dBc min.			-156	

Environmental specifications

Environmental rating	ETSI EN 300 019 class 4.1, RoHS
Ingress protection	IP67, unmated
Temperature range, °C	-40 to +65
Temperature range, °F	-40 to +149
Wind force @ 200 km/h (125 mph) front/side, lbf	15.8 / 3.5
Lightning protection all ports	RF port: ±10kA max. (8/20us), IEC 61000-4-5
Altitude	3,000 m max. 10,000 ft. max.
Mean time between failures (MTBF)	>10^6

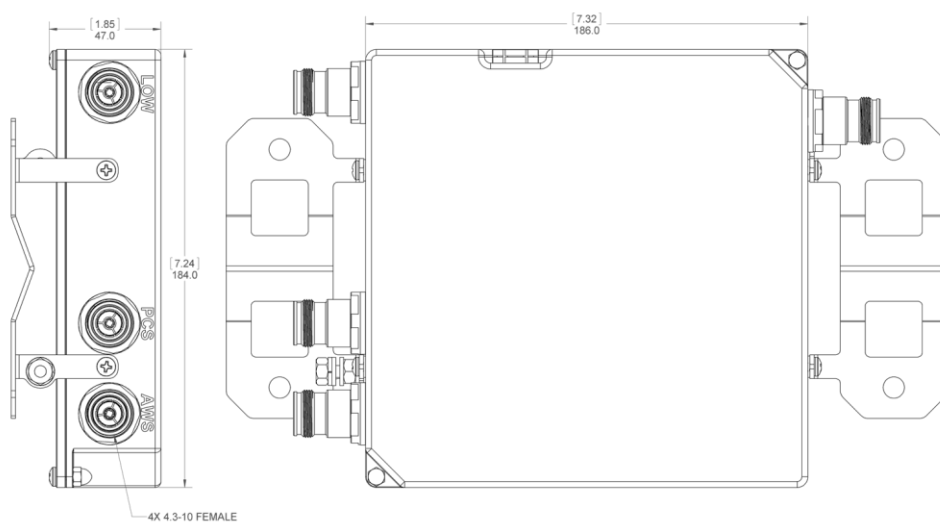
TBC-67C-A-P-1SF

NWAV™ Tri-Band Combiner

DISCONTINUED

DC sense and routing specifications	
Input voltage, DCV max.	35
DC current rating amps	1.5, current limited
Compatibility AISG	1.1/2.0
Triplexer on bottom (combiner)	
DC on 600-700, 850, AWS, or PCS port	DC-AISG connected to COM
More than 1 port with DC detected	One port is selected. See <i>Port priority</i> below
Port priority (DC on multiple input ports)	P1 AWS, P2 600-700, P3 PCS
Triplexer on top (splitter)	
DC on COM detected	DC-AISG routed to port with an AISG Device
If more than one port has an AISG device	One port is selected. See <i>Port priority</i> below
Port priority (multiple AISG devices detected)	P1 AWS, P2 600-700, P3 PCS

Mechanical specifications	
Connectors RF	4.3-10 (F)
Ground stud	M6 x 1 (hex nut included)
Connectors quantity	4
Dimensions, excluding brackets and connectors L x W x H mm (in.)	186 x 184 x 47 (7.32 x 7.24 x 1.85)
Weight: kg (lbs.)	2.6 (5.72)
Mounting	Pole/wall bracket supplied, including two metal clamps for 45-178 mm diameter poles



Ordering information	
TBC-67C-A-P-1SF	3B Comb 600-850/AWS/PCS, single

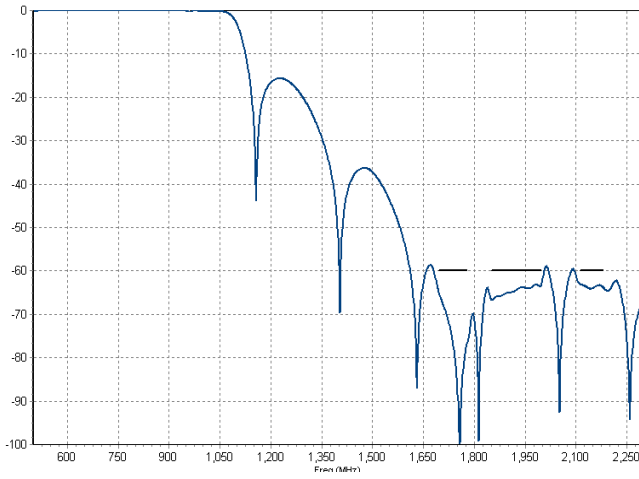
TBC-67C-A-P-1SF

NWAV™ Tri-Band Combiner

DISCONTINUED



LOW BAND PORT



AWS & PCS PORTS

