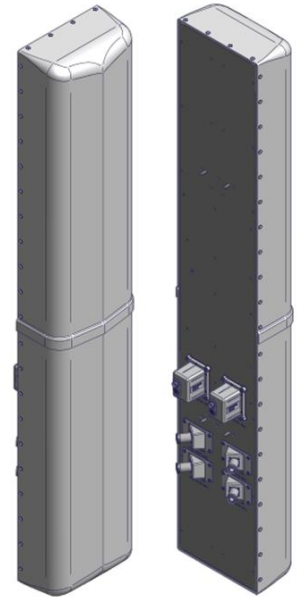


QAP-FRO-660-V

X-Pol (2) 1695-2180 MHz, 72", 60° Fast Roll Off H-Beam MIMO Antenna

RET

- 4-Port 1695-2180 MHz Fast Roll Off (FRO) Antenna:
 - Two High Band Antennas in a Single Radome, Each with Separate Tilts
- Can be used for MIMO Applications
- Suitable for LTE/CDMA/UMTS/GSM
- AISG v2.0 RET Control



ELECTRICAL SPECIFICATIONS

Frequency Band, MHz	1695-1880	1850-1990	1920-2180
Horizontal Beamwidth, 3dB points	61°	61°	57°
Gain, dBi	17.9	17.6	17.9
Vertical Beamwidth, 3dB points	6.7°	6.9°	6.8°
Front-to-Back at 180°, dB		>30	
Upper Sidelobe Suppression, Typical, dB		< -18	
Polarization		+/-45°	
Elect. Downtilt Range (See order information)		0°-6° or 4°-10°	
VSWR/Return Loss, dB, Maximum		1.5:1/-14.0	
Isolation Between Ports, dB, Minimum		>28	
Co-Polar Isolation Inter-Antenna		>28	
Intermodulation (2x20w), IM3, dBc, Maximum		-150	
Impedance, ohms		50	
Maximum Power Per Connector, CW (w)		250	

MECHANICAL SPECIFICATIONS

Dimensions, Length/Width/Depth	72.0 x 14.6 x 7.3 inches (1829/372/186 mm)
Connector (Quantity) Type	(4) 7-16 DIN Female
Connector Torque	220-265 lbf-in (23-30 N-m)
Connector Location	Back
Antenna Weight	34 lb (15.4 kg)
Bracket Weight	13.2 lb (6.0 kg)
Standard Bracket Kit	919011 (Included)
Mechanical Downtilt Range	0-12°
Radome Material	High Strength Luran, UV Stabilized, ASTM D1925
Wind Survival	150 mph (241 km/h)
Front Wind Load	211.6 lbf (941.4 N)
Equivalent Flat Plate	4.22 sq-ft (c=2) @ 100mph

RET INFORMATION

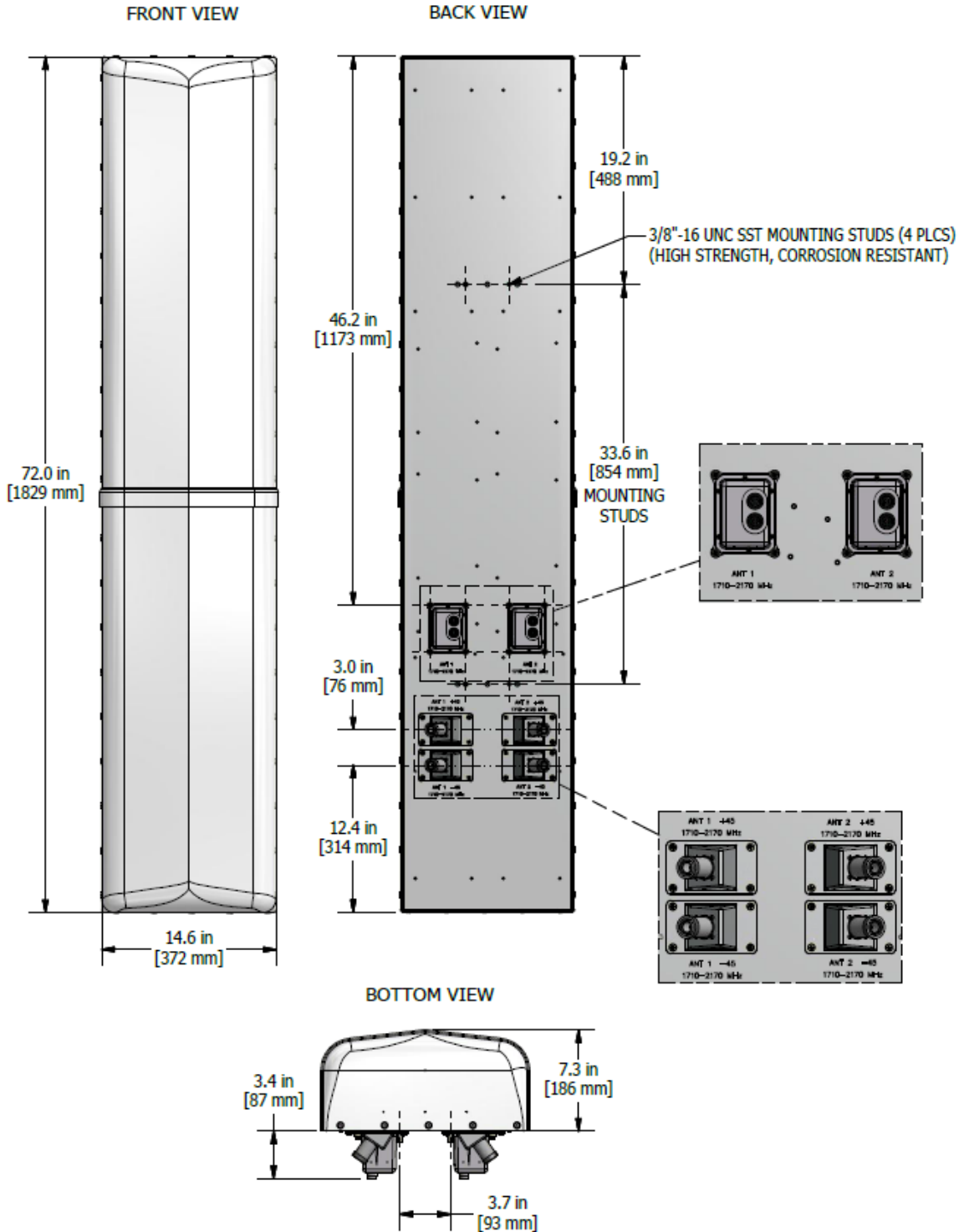
Model	RET-200
Mounting Location	Rear of Antenna
Weight	1.2 lb (0.54 kg)
Communication Standard	AISG 2.0
Control System	PCU-1000



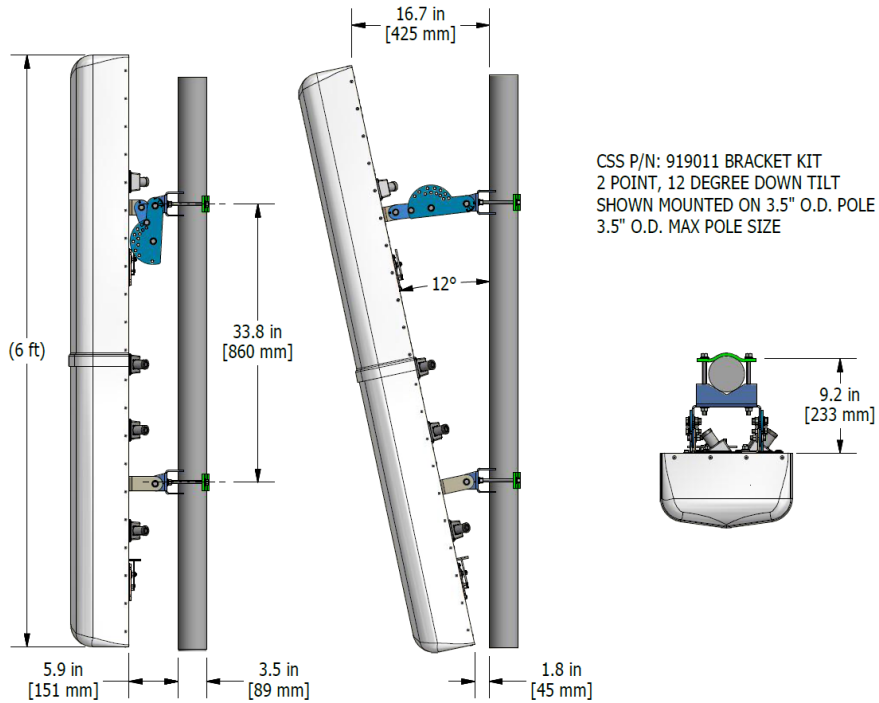
ORDER INFORMATION

MODEL	DESCRIPTION
QAP-FRO-660-VR0	X-Pol, antenna with motor to adjust remote electrical tilt (RET) range of 0-6°
QAP-FRO-660-VR4	X-Pol, antenna with motor to adjust remote electrical tilt (RET) range of 4-10°
992100-CA005-SC	AISG Jumper Cable, M/F, 0.5 meters
919036	Optional Bracket Kit, 2-Point, 12deg D-tilt, For 4.5" OD Pole

Mechanical Outline Drawing: RET Version



Standard Bracket Kit



Optional Bracket Kit

