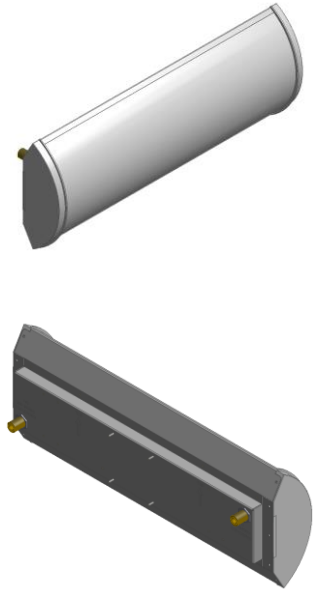


XEW-FRO-124

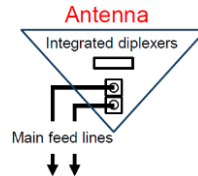
X-Pol Antenna, 698-945/1710-2360MHz, Fast Roll Off, 24° H-Beams

- Fast Roll Off (FRO) Antenna
- Includes flexible stadium bracket
- Suitable for WCS/LTE/CDMA/UMTS/GSM
- Includes Integrated Diplexers



Includes Integrated Diplexers

- Reduces RF Cables
- Eliminates external devices



ELECTRICAL SPECIFICATIONS

Frequency Band, MHz	698-824	824-945	1710-1880	1800-1990	1920-2170	2190-2360
Horizontal Beamwidth, 3dB points	28°	23°	26°	24°	23°	20°
Gain, dBi	11.2	12.3	12.0	12.5	12.7	12.8
Vertical Beamwidth, 3dB points	68°	63°	64°	62°	61°	56°
Front-to-Back at 180°, dB	> 22			> 28		
Side Lobe Suppression, Typical, dB	<-18			<-18		
Polarization	+/-45°			+/-45°		
Electrical Downtilt	0°			0°		
VSWR/Return Loss, dB, Maximum	1.7:1/11.8			1.7:1/11.8		
Isolation Between Ports, dB, Minimum	26			26		
Intermodulation (2x20w), IM3, dBc, Maximum	-150			-150		
Impedance, ohms	50			50		
Maximum Power Per Connector, CW (w)	100			100		

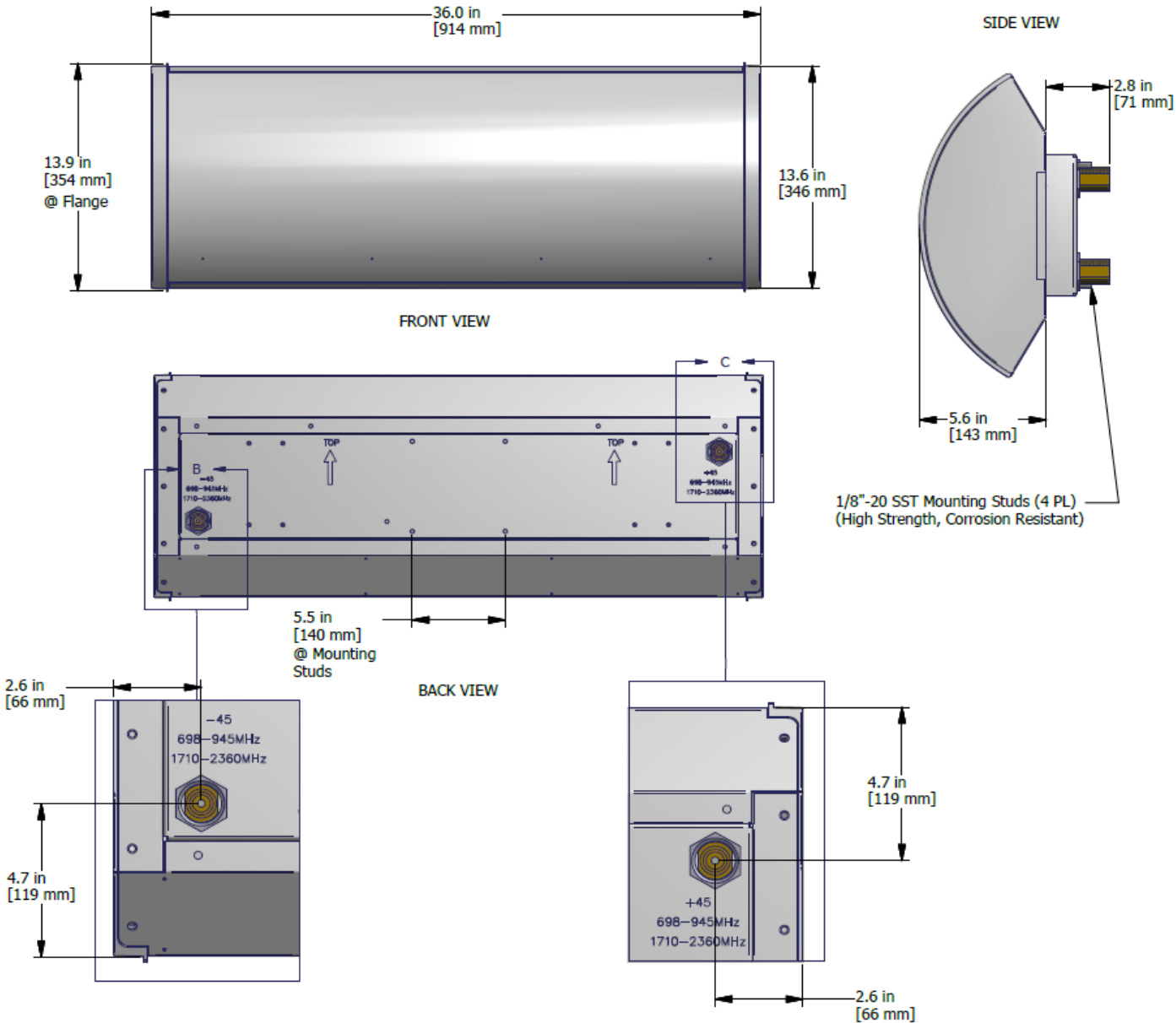
MECHANICAL SPECIFICATIONS

Dimensions, Length/Width/Depth	13.9/36.0/5.6 in (345/914/142 mm)
Connector (Quantity) Type	(2) 7-16 DIN Female
Connector Torque	220-265 lbf-in (23-30 N-m)
Connector Location	Back
Antenna Weight	19.8 lbs (9.0 kg)
Bracket Weight	5.0 lb (2.3 kg)
Standard Bracket Kit	CSS P/N 919050 (Included)
Mechanical Downtilt Range	+/- 35° Lateral & +/- 55° Vertical
Radome Material	High Strength Luran, UV Stabilized, ASTM D1925
Wind Survival	120 mph (193 km/h)
Front Wind Load	81.7 lbf (363.5 N) @100mph
Equivalent Flat Plate	1.63 sq-ft (c=2) @ 100mph

ORDER INFORMATION

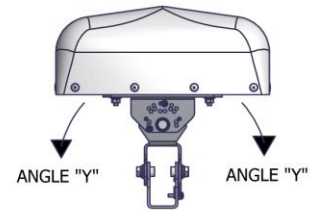
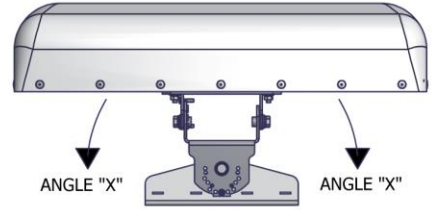
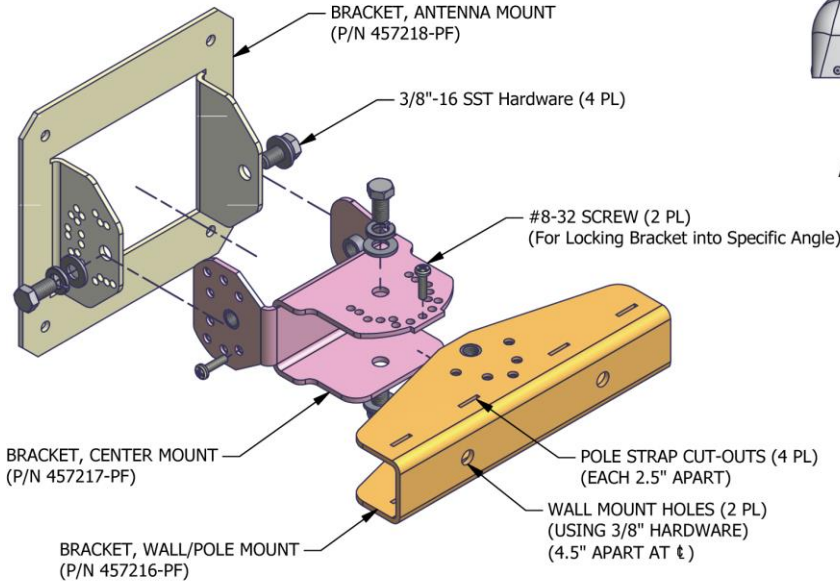
MODEL	DESCRIPTION
XEW-FRO-124-001P	X-Pol dual band, 0° electrical downtilt with two DIN connectors and integrated diplexers.

Mechanical Outline Drawing



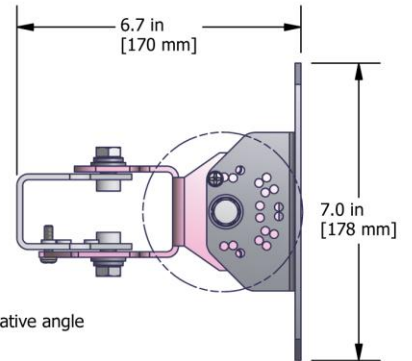
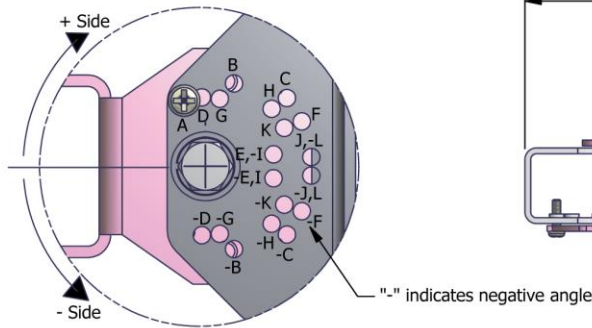
Mechanical Outline Drawing

Stadium Bracket 919050

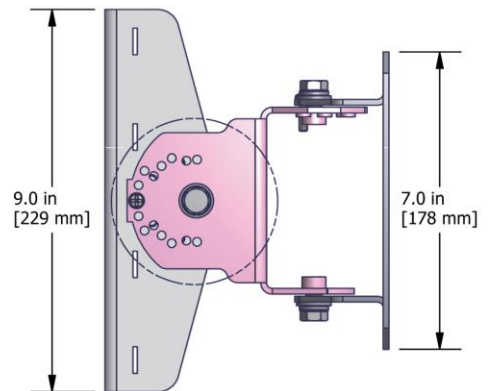
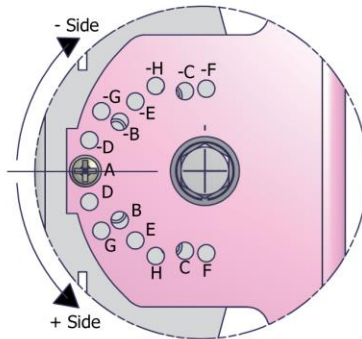


Antenna Size	Maximum Angle (in degree)			
	Pole Mount		Wall Mount	
1' L x 1' W	35	55	35	55
1' L x 2' W	25	55	25	55
1' L x 3' W	20	55	20	55
2' L x 2' W	25	25	25	25

Mech. Downtilt Table	
Legend	Mech. Downtilt
A	0°
B	5°
C	10°
D	15°
E	20°
F	25°
G	30°
H	35°
I	40°
J	45°
K	50°
L	55°



Mech. Downtilt Table	
Legend	Azimuth Rotation
A	0°
B	5°
C	10°
D	15°
E	20°
F	25°
G	30°
H	35°



Note: If the bracket is used in applications that provide additional tilt to the antenna (e.g. slanted poles, upside down hanging, etc.), different weep holes may be required. Please consult our weep hole guide at jmwireless.com/support.