

CF-727

40 dB Coupler

DISCONTINUED

CF-727

*-40 dB coupler**698-2700 MHz**4.3-10 female to 4.3-10 male*

- Allows for non-intrusive testing
- Broadband 698-2700 MHz
- QMA coupling port
- Suitable for indoor or outdoor applications
- Verified: every unit is PIM tested

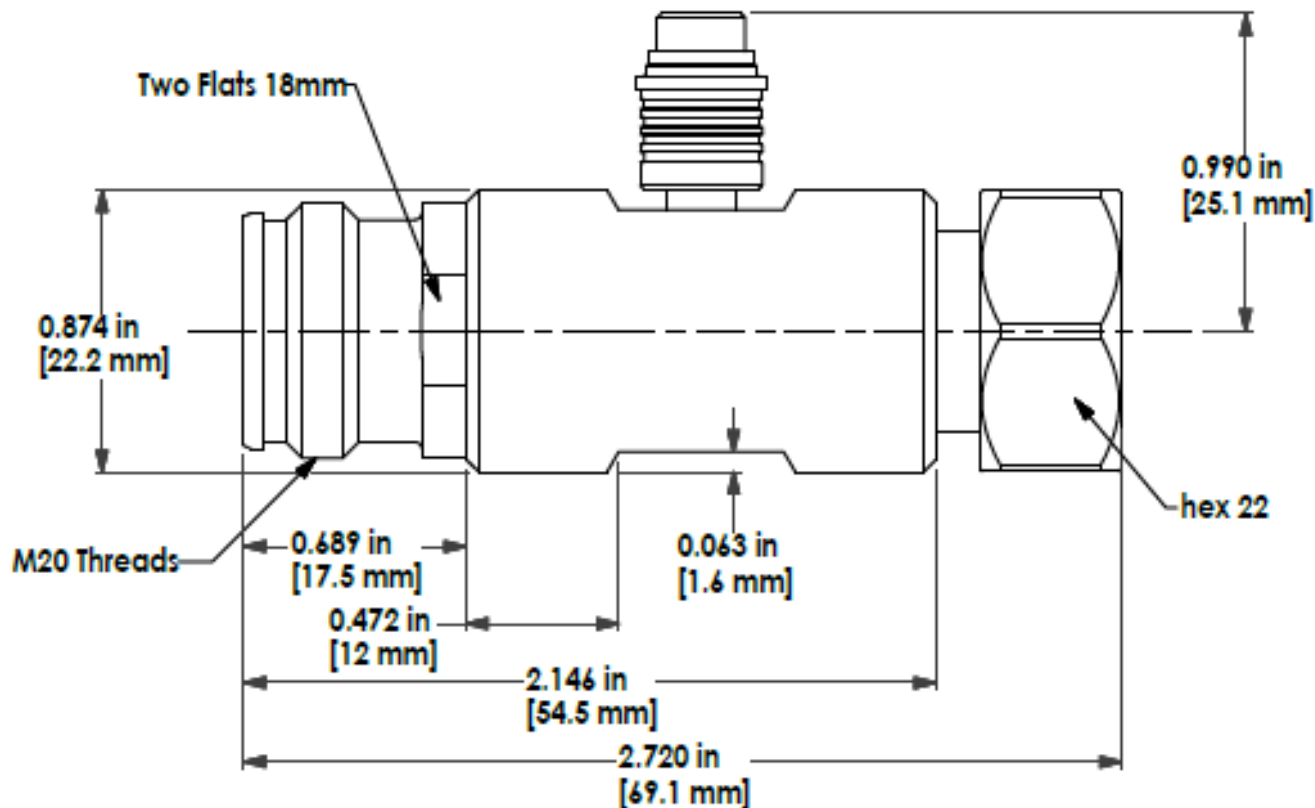


Electrical specifications

Frequency band, MHz	698-2700
Coupling, dB (± 2.0 dB) @ 740 MHz	-48.0
Coupling, dB (± 2.0 dB) @ 860 MHz	-46.5
Coupling, dB (± 2.0 dB) @ 880 MHz	-46.5
Coupling, dB (± 2.0 dB) @ 1700 MHz	-40.0
Coupling, dB (± 2.0 dB) @ 1960 MHz	-39.0
Coupling, dB (± 2.0 dB) @ 2130 MHz	-38.0
VSWR/return loss, dB, maximum	1.15:1 / 23.0
Insertion loss, dB, maximum	0.2
Impedance, ohms	50
Maximum power, CW (watts)	250
Intermodulation (2x20w), IM3, dBc, maximum	-156

Environmental specifications

Temperature range	-45 °C to +85 °C
Application	Suitable for indoor or outdoor with proper connections
2002/95/EC (RoHS)	Compliant



Mechanical specifications

Dimensions, length/diameter (inches)	2.72 / 0.88, excludes QMA
Connector type	4.3-10 female to 4.3-10 male
Coupling connector type	QMA female
Coupling cap type	QMA male with metal weather seal
Mating cycles, minimum	250

Order information

Model	Description
CF-727	-40 dB coupler, 698-2700 MHz, 4.3-10 F to M