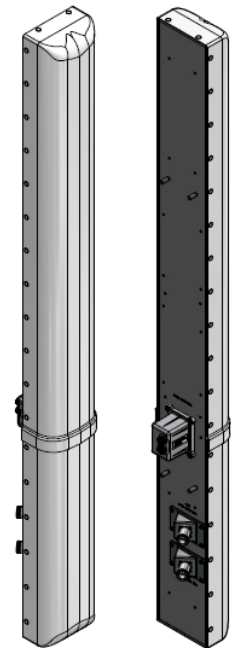


## CAP-FRO-656-V

Circular Polarization, (1) 1695-2180 MHz Antenna, 69" Length, Fast Roll Off 56° Horizontal Pattern, Variable E-Tilt

- Fast Roll Off (FRO) improves Intra and Inter-cell SINR
- Separate housing and reflector construction optimizes RF performance while maximizing mechanical strength
- Good Passive Intermodulation (PIM) performance reduces harmful interference
- Independent tilt per array
- Suitable for LTE/CDMA/UMTS/GSM
- AISG 2.0 RET Control



## ELECTRICAL SPECIFICATIONS

Frequency Band, MHz	1695-1880	1850-1990	1920-2180
Horizontal Beam Width, 3dB points	56°	57°	58°
Gain, dBi	14.7	14.6	14.8
Gain, dBiC	17.7	17.6	17.8
Vertical Beam Width, 3dB points	5.7°	5.4°	5.3°
Upper Side Lobe Suppression, Typical, dB	< -16	< -16	< -16
Front-to-Back at 180°, dB	> 28		
Polarization	Circular (LHCP & RHCP)		
Electrical Down Tilt (See Ordering information)	0°- 12°		
VSWR/Return Loss, dB, Maximum	1.5:1/14.0		
Axial Ratio, Typical, dB	< 2		
Isolation Between Ports, dB, Minimum	>24 (2110 - 2155)		
Intermodulation (2x20w), IM3, dBc	-153		
Impedance, ohms	50		
Maximum Power Per Connector, CW (w)	250		

## MECHANICAL SPECIFICATIONS

Dimensions, Length/Width/Depth	69.1/6.7 /4.3 in (1755/170/109 mm)
Connector (Quantity) Type	7-16 DIN Female
Connector Torque	220-265 lbf-in (23-30 N-m)
Connector Location	Back
Antenna Weight	15 lbs (6.8 kg)
Bracket Weight	13.2 lbs (5.99Kg)
Standard Bracket Kit	P/N 919011
Mechanical Downtilt Range	0°-12°
Radome Material	High Strength Luran, UV Stabilized, ASTM D1925
Wind Survival	150 mph (241 km/h)
Front Wind Load @100mph	106.5 lbf (473.9 N) @100mph
Equivalent Flat Plate @ 100mph	2.12 sq-ft (c=2) @100 mph

## RET INFORMATION

Model	RET-200
Mounting Location	Back
Communication Standard	AISG 2.0
Control System	PCU-220



## ORDER INFORMATION

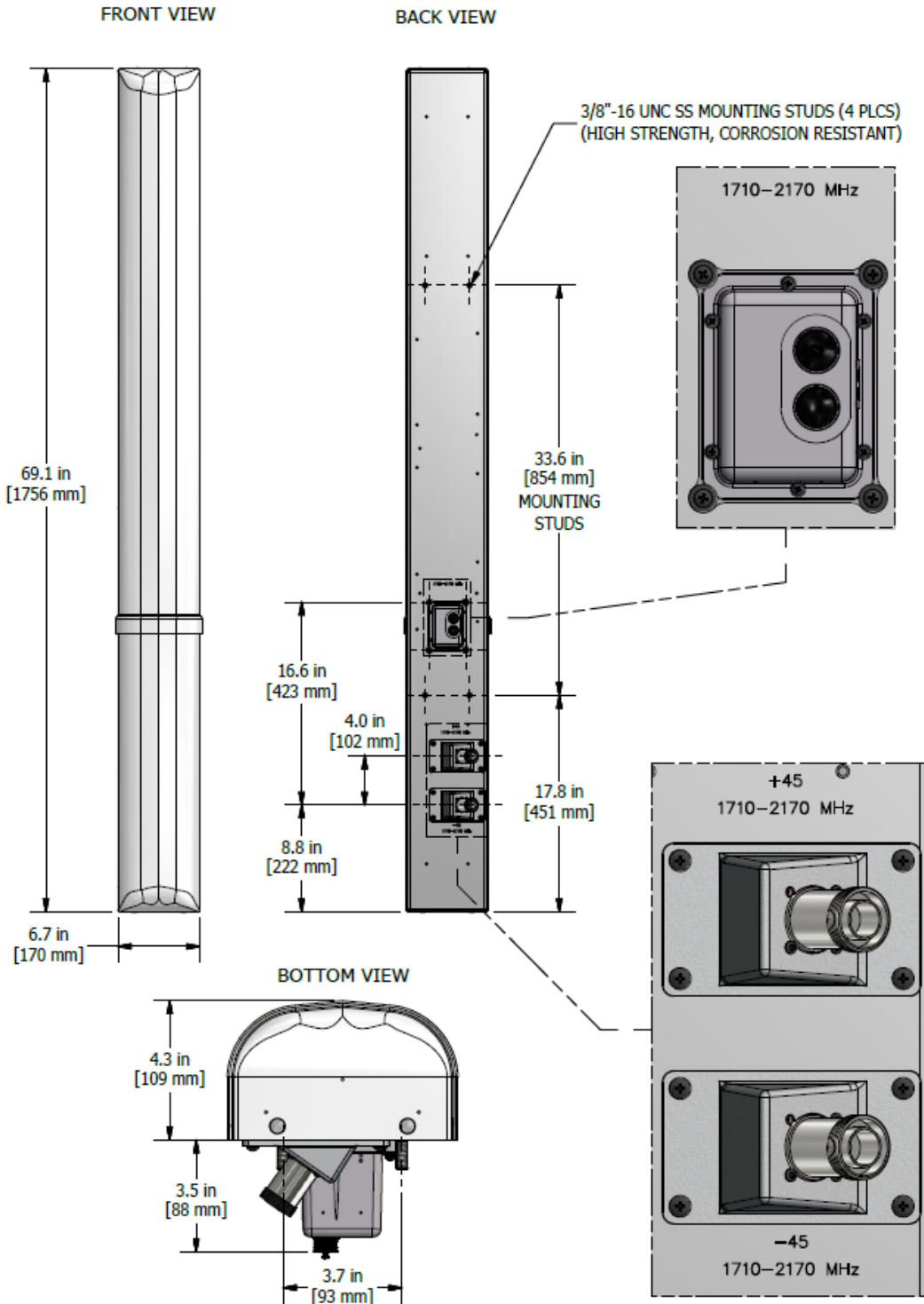
MODEL	DESCRIPTION
CAP-FRO-656-VR	6F, CP, HB, FRO 56°, EDT 0-12°
919036	Optional Bracket Kit, 2-Point, 12deg D-tilt, For 4.5" OD Pole

## OTHER ORDERING INFORMATION

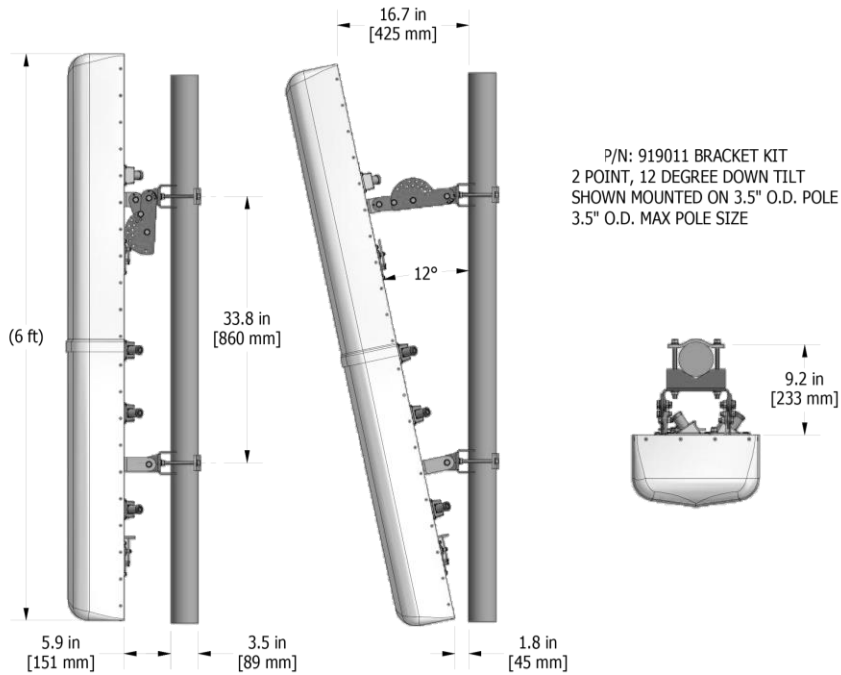
MODEL	DESCRIPTION
992100-CA013-SC	AISG Jumper Cable, M/F, 1.3 meters

**MECHANICAL VIEWS**

To be added at a later date



### STANDARD BRACKET KIT – 919011



### OPTIONAL BRACKET KIT – 919036

