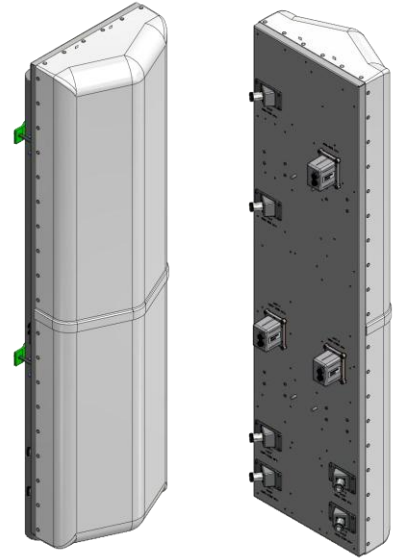


C7QCAP-FRO-656-V

Circular Polarization, (1) 698-896MHz & (2) 1695-2180 MHz Antennas, 72" Length, Fast Roll Off 56° Horizontal Pattern, Variable E-Tilt

- Fast Roll Off (FRO) improves Intra and Inter-cell SINR
- Separate housing and reflector construction optimizes RF performance while maximizing mechanical strength
- Good Passive Intermodulation (PIM) performance reduces harmful interference
- Independent tilt per array
- Suitable for LTE/CDMA/UMTS/GSM
- AISG 2.0 RET Control



ELECTRICAL SPECIFICATIONS

Frequency Band, MHz	698-824	824-896	1695-1880	1850-1990	1920-2180
Horizontal Beam Width, 3dB points	60°	57°	56°	57°	58°
Gain, dBi	12.4	12.6	14.7	14.6	14.8
Gain, dBIC	15.4	15.6	17.7	17.6	17.8
Vertical Beam Width, 3dB points	13.0°	11.4°	5.7°	5.4°	5.3°
Upper Side Lobe Suppression, Typical, dB	< -18	< -18	< -16	< -16	< -16
Front-to-Back at 180°, dB	> 28		> 28		
Polarization	Circular		2x Circular		
Electrical Down Tilt (See Order Information)	0° - 10°/ 4° - 14°		0° - 11°		
VSWR/Return Loss, dB, Maximum	1.5:1/14.0		1.5:1/14.0		
Axial Ratio, Typical, dB	< 2		< 2		
Isolation Between Ports, dB, Minimum	>24 (746 - 757)		>24 (2110 - 2155)		
Intermodulation (2x20w), IM3, dBc, Maximum	-153		-153		
Impedance, ohms	50		50		
Maximum Power Per Connector, CW (w)	500		250		

MECHANICAL SPECIFICATIONS

Dimensions, Length/Width/Depth	72.0/18.8 /10.2 in (1829/479/258 mm)
Connector (Quantity) Type	(6) Total: (2) Low Band & (4) High Band 7-16 DIN Female
Connector Torque	220-265 lbf-in (23-30 N-m)
Connector Location	Back
Antenna Weight	63 lbs (28.6 kg)
Bracket Weight	13.2 lbs (5.99Kg)
Standard Bracket Kit	919011 (Included)
Mechanical Downtilt Range	0°-12°
Radome Material	High Strength Luran, UV Stabilized, ASTM D1925
Wind Survival	150 mph (241 km/h)
Front Wind Load @100mph	234 lbf (1039 N)
Equivalent Flat Plate @ 100mph	4.65 sq-ft (c=2) @100 mph

RET INFORMATION

Model	RET-200
Mounting Location	Back
Communication Standard	AISG 2.0
Control System	PCU-220



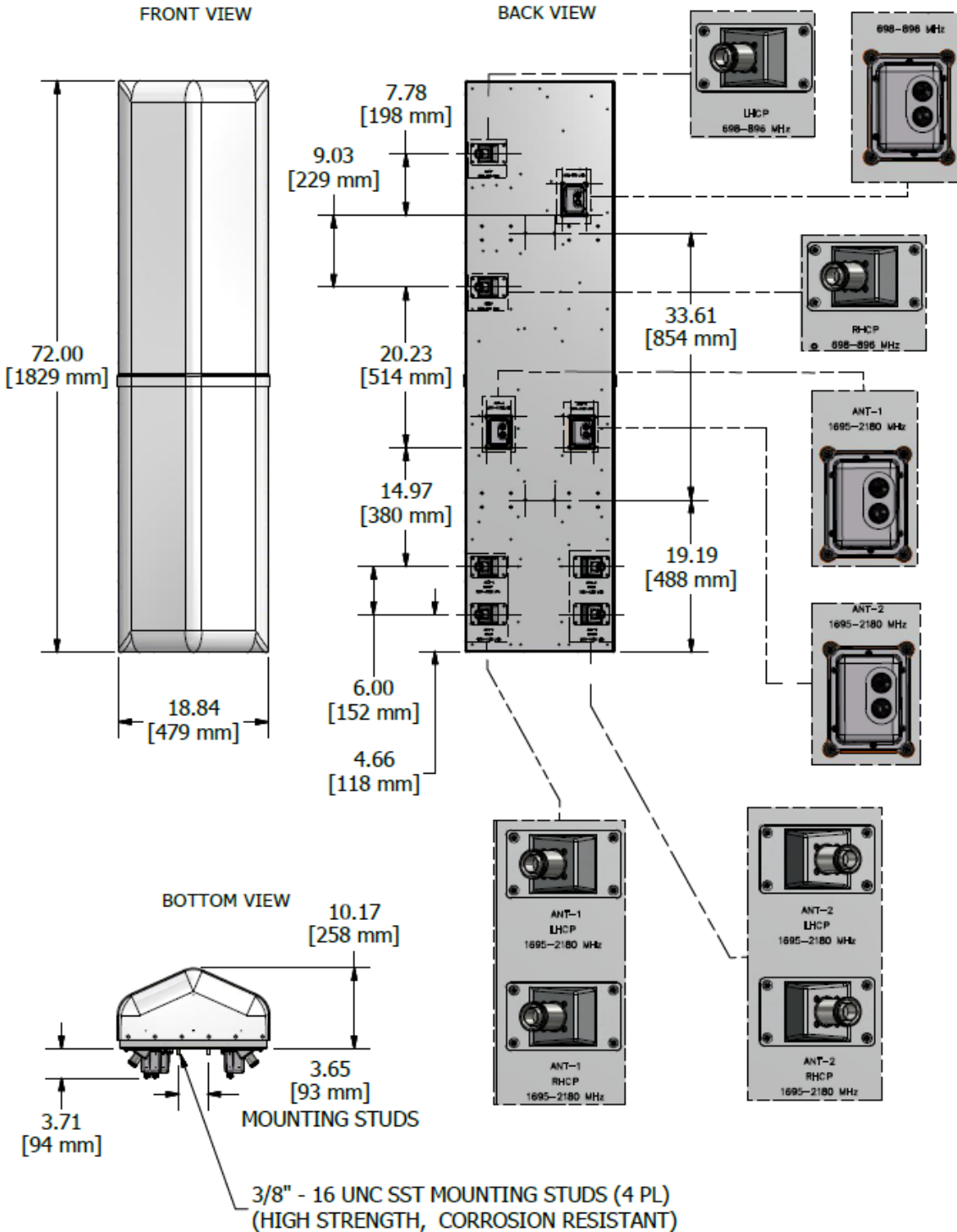
ORDER INFORMATION

MODEL	DESCRIPTION
C7CQCAP-FRO-656VR0	Remote motor adjust variable e-tilt (RET), EDT 0-10° low band and 0-11° high band
C7CQCAP-FRO-656VR4	Remote motor adjust variable e-tilt (RET), EDT 4-14° low band and 0-11° high band
919036	Optional Bracket Kit, 2-Point, 12deg D-tilt, For 4.5" OD Pole

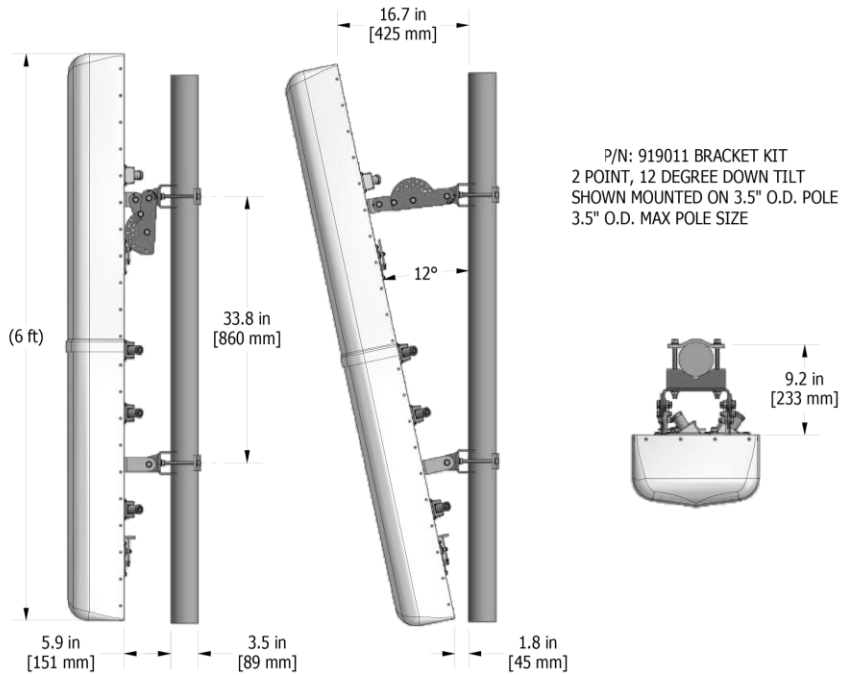
OTHER ORDERING INFORMATION

MODEL	DESCRIPTION
992100-CA013-SC	AISG Jumper Cable, M/F, 1.3 meters

MECHANICAL VIEWS



STANDARD BRACKET KIT – 919011



OPTIONAL BRACKET KIT – 919036

