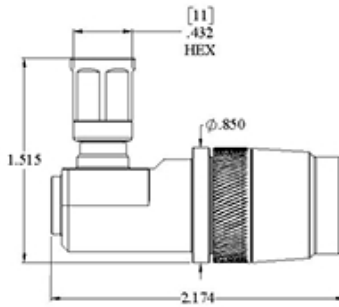
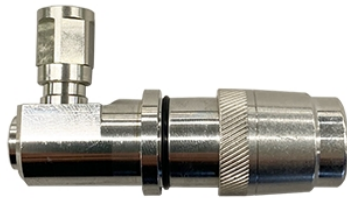




UXP-1RT-38S-01

NEX10 Male Right Angle Torque Connector for 3/8" Super-flexible Cable



[Installation video](#)



[Installation instructions](#)



Contact technical support:
1-888-201-6073
techsupport@jmawireless.com

General		Specification		
Interface/gender	NEX10 Male, torque type			
Cables supported ¹	Manufacturer	P/N	Manufacturer	P/N
	JMA Wireless	JMA38S-50	JMA Wireless	JMA38SP-50
Weight	0.2 lb 93.3 g			
JMA Weather Protection System	WPS-1RT-38S-01			
Tools required		JMA part number		Comment
Cable preparation	SP-38S-01		"J" core bit	
Connector compression	HCG-FRAMESET-38S, HCG-CC			
Torque wrench	TQ-716-F3.7		3.7 lbf-ft 5 N·m	
Frequency band		VSWR		Return loss (dB)
DC-1000 MHz		1.02		40
1000-2000 MHz		1.03		36
2000-4000 MHz		1.05		32
4000-6000 MHz		1.08		28
Electrical		Specification		Comment
Connector impedance		50 ohm		
Operating frequency band		DC-6 GHz		
3rd order IMD dynamic, (PIM)		-161 dBc, typical; -155 dBc, min		IEC 62037-2, -3
DC test voltage		2500 V		
Center contact resistance		≤ 1.0 milliohm		
Outer contact continuity		1.0 milliohm max.		
Average power		500 W @ 2 GHz		
Peak power, max.		13.2 kW		
Insertion loss, typical		0.05 dB		Per connector
Shielding effectiveness		< -120 dB		@ 0-1 GHz
Mechanical		Specification		Comment
Pull force combined		.78 kN >175 lb		Cable limited
Cable retention torque		6.7 N·m 5 lbf-ft		Cable limited
Interface durability		100 cycles		IEC 61169-4:9.5
Environmental		Specification		Test
Operating temperature		-55 °C to +85 °C (-67 °F to 185 °F)		
Storage temperature		-55 °C to +85 °C (-67 °F to 185 °F)		
Accelerated UV		1000 hr		ASTM G154
Immersion test method		Mated & unmated, IP68		IEC 60529:2001 & ANSI/SCTE 60
Water jetting test method		Mated & unmated, IP66		IEC 60529:2001
Mechanical shock test method		Pass		IEC 60068-2-27
Thermal shock test method		Pass		IEC 60068-2-14
Vibration test method		100 m/s ² , 2 Hz to 200 Hz		IEC 61169-1:2003
Corrosion test method		1000 hr		IEC 60068-2-11

¹For cable types not listed, please contact JMA Technical Support.

