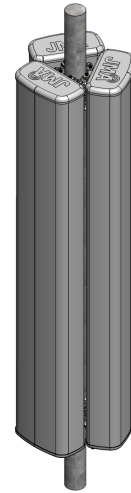
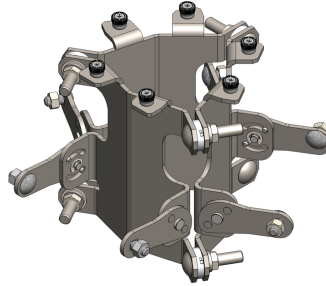


Tri-Sector Pole-Mount Antenna Bracket for MX04FFPX65-01 Antenna Models

- Enables the close mounting of three antennas on a single pole for flagpole sites
- Allows for extremely narrow shroud diameters with novel swinging installation methodology.
- Compatible with pole diameters ranging from 3.5" to 8" and canister concealment shroud diameters starting from internal diameter of 20".



Tri-Sector Pole-Mount Bracket assembled

Brackets needed per antenna type

Antenna	Length	QTY - 91900339-01	QTY - 91900339-02
MX04FFP465-01	4 ft	1	
MX04FFP665-01	6 ft	1	
MX04FFP865-01	8 ft		1

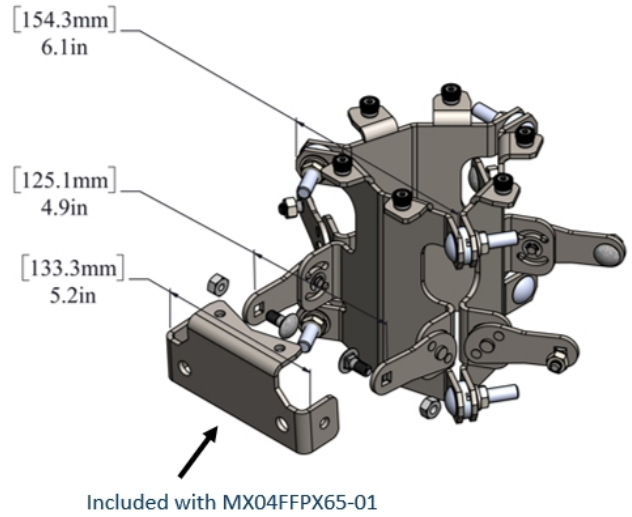
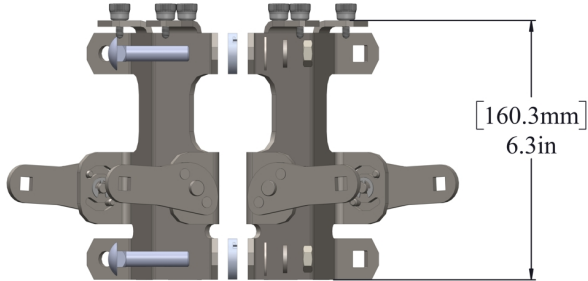
Mechanical specifications

Weight per bracket, lb (kg)	7 (3.2) - Tri-Sector Bracket parts only
Total weight for 91900339-01	21.3 (9.7)
Total weight for 91900339-02	10.4 (47)
Rated wind survival speed, mph (km/h)	150 (241)
Material specification (bracket parts)	0.15" thick, hot-dipped, galvanized steel

Ordering information

Mounting bracket model	Description
91900339-01	Single Tri-Sector Pole-Mount Antenna Bracket assembly (see table above: "Brackets needed per antenna type")
91900339-02	Single Tri-Sector Pole Bracket assembly
Compatible antennas	
MX04FFP465-01, MX04FFP665-01, MX04FFP865-01	
Installation Instructions	
81900527-01	Installation instructions for Tri-Sector Pole-Mount Bracket assembly

Tri-Sector Pole-Mount Bracket assembly overview



Pole diameter	Minimum compatible shroud inner diameter	
3.5"	20.2"	
4"	20.6"	
4.5"	21.1"	
5"	21.5"	
5.5"	22"	
6"	22.5"	
6.5"	22.9"	
7"	23.4"	
7.5"	23.9"	
8"	24.4"	