



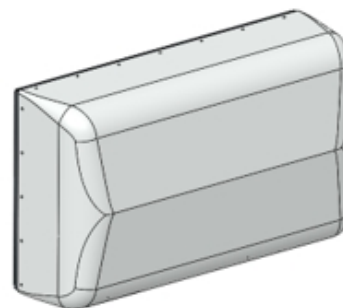
SX04FRO128-01

NWAV™ X-Pol Antenna

4-port 1 ft 28° panel antenna 617-894, 1695-2690, 3400-4200 MHz:

2 ports 617-3980 MHz and 2 ports 3400-4200 MHz

- X-Pol, DAS, and Small Cell multi-port antenna
- Suitable for pole or building mount
- 4x4 MIMO for 3400-3980 MHz
- 2x2 MIMO for 617-3980 MHz
- Fast Roll Off pattern performance
- Cost-effective solution for neutral host locations



Electrical specification (min/max)	Ports 1, 2						
Frequency bands, MHz	617-798	824-894	1695-1880	1850-1990	1920-2180	2300-2400	2496-2690
Polarization	± 45°			± 45°			
Average gain, dBi	11.1	10.7	10.7	11.0	12.0	12.1	12.2
Horizontal beamwidth (HBW), degrees ¹	36.0°	28.7°	33.0°	31.0°	28.0°	25.0°	23.0°
Vertical beamwidth (VBW), degrees ¹	62.1°	61.0°	52.5°	54.0°	55.1°	47.0°	42.5°
Fixed electrical downtilt (EDT), degrees	0°						
Cross-polar isolation, port-to-port, dB ¹	25			25			
Max VSWR / return loss, dB	1.5:1 / -14.0			1.5:1 / -14.0			
Max PIM (3rd order, 2x20W) dBc	-153			-153			
Maximum input power port, watts	250			150			

Electrical specification (min/max)	Ports 1, 2			Ports 3, 4			
Frequency bands, MHz	3400-3550	3550-3700	3700-3980	3400-3550	3550-3700	3700-3980	3400-4200
Polarization	± 45°			± 45°			
Average gain, dBi	13.7	13.9	14.1	12.8	13	13.2	13.4
Horizontal beamwidth (HBW), degrees ¹	33	31	29	36	34	32	30
Vertical beamwidth (VBW), degrees ¹	47	45	43	51	49	47	45
Fixed electrical downtilt (EDT), degrees	0°			0°			
Cross-polar isolation, port-to-port, dB ¹	25			25			
Max VSWR / return loss, dB	1.5:1 / -14.0			1.5:1 / -14.0			
Max PIM (3rd order, 2x20W) dBc	-145			-145			
Maximum input power, watts	50			50			

¹ Typical value over frequency.

Mechanical specifications	
Dimensions height/width/depth, inches (mm)	14.6/ 24.25/ 7.9 (616/ 371/ 201)
No. of RF input ports, connector type, and location	4 x 4.3-10 female, back
RF connector torque	96 lbf-in (10.85 N·m or 8 lbf-ft)
Net antenna weight, lb (kg)	14.2 (6.5)
Weight with supplied bracket, lb (kg)	19.4 (8.8)
Shipping weight, lbs. (kg)	28.4 (13)
Supplied bracket kit	91900324 (included)
Mechanical down-tilt range	+/- 25° lateral (azimuth adjustment) and +/- 50° vertical (up/down tilt)
Rated wind survival speed, mph (km/h)	120 (193) with 91900324 bracket kit
Frontal wind loading @ 150 km/h, lbf (N)	16.25 (72.29)
Equivalent flat plate @ 100 mph and Cd=2, sq ft	0.33
Installation instructions	DX-*/SX-*/IX-* Antenna Mounting Instructions and Kits 81900511
Weep hole drilling instructions	DX-*/SX-*/IX-* Antenna Weep Hole Modification Guide

Front view	Back view	Side view
	<p>Refer to JMA weep hole modification guide at jmwireless.com for mandatory drilling instructions.</p> <p>The SX antennas can be painted in accordance with the JMA painting guidelines at jmwireless.com</p>	

Array topology			Connector view								
<table border="1"> <thead> <tr> <th>Array ID</th> <th>Band</th> <th>RF port</th> </tr> </thead> <tbody> <tr> <td>R1/Y1/P1</td> <td>617-894/1695-2690/3400-3980</td> <td>1-2 1-2 1-2</td> </tr> <tr> <td>P2</td> <td>3400-4200</td> <td>3-4</td> </tr> </tbody> </table>	Array ID	Band	RF port	R1/Y1/P1	617-894/1695-2690/3400-3980	1-2 1-2 1-2	P2	3400-4200	3-4	<p>R1: 617 - 894 MHz Y1: 1695 - 2690 MHz P1: 3400 - 3980 MHz</p>	<p>P2: 3400 - 4200 MHz</p>
Array ID	Band	RF port									
R1/Y1/P1	617-894/1695-2690/3400-3980	1-2 1-2 1-2									
P2	3400-4200	3-4									

Ordering information	
Antenna model	Description
SX04FRO128-01	1F X-Pol 4-port panel 28°, 4.3-10
919055	Optional inverted mounting kit for 4.0-10.0 in. OD pole
91900313	Optional bracket kit for extended horizontal and vertical tilt ranges