



SX02FIT165-4X

NWAV™ X-Pol Antenna

2-port 9 in. 65° panel antenna 3400-3980 MHz

- 4G and 5G 3.5 GHz 2T2R antenna
- Ideal for indoor coverage
- 4.3-10 pigtails for ease of installation
- Low profile for enhanced aesthetics
- Flush-mount bracket
- Two fixed electrical tilt options: 0° or 7°

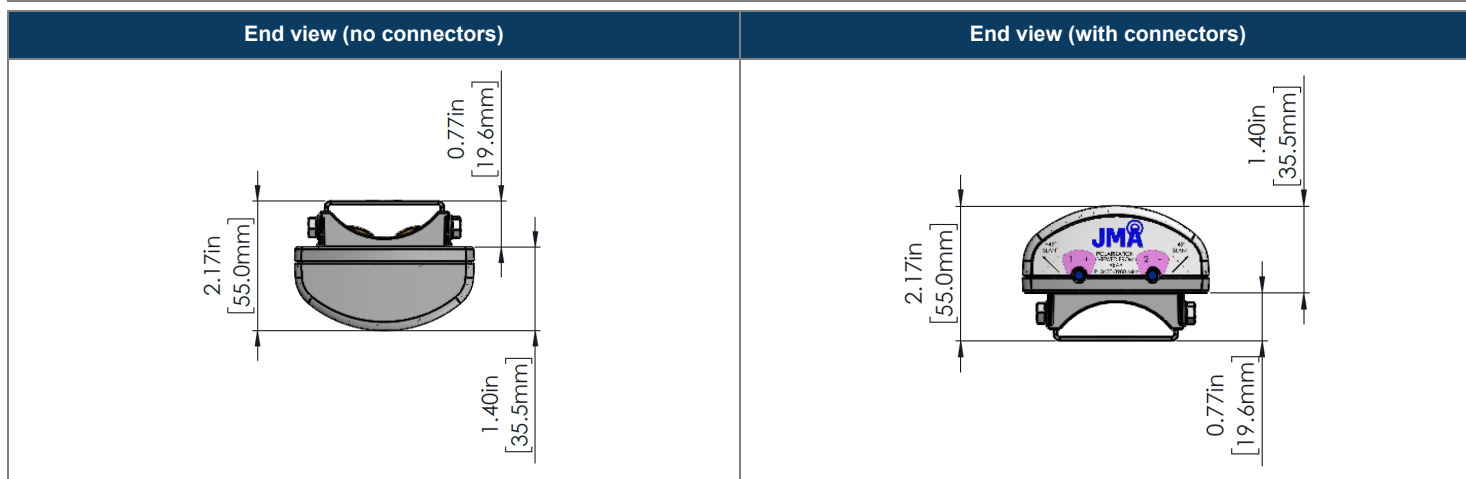
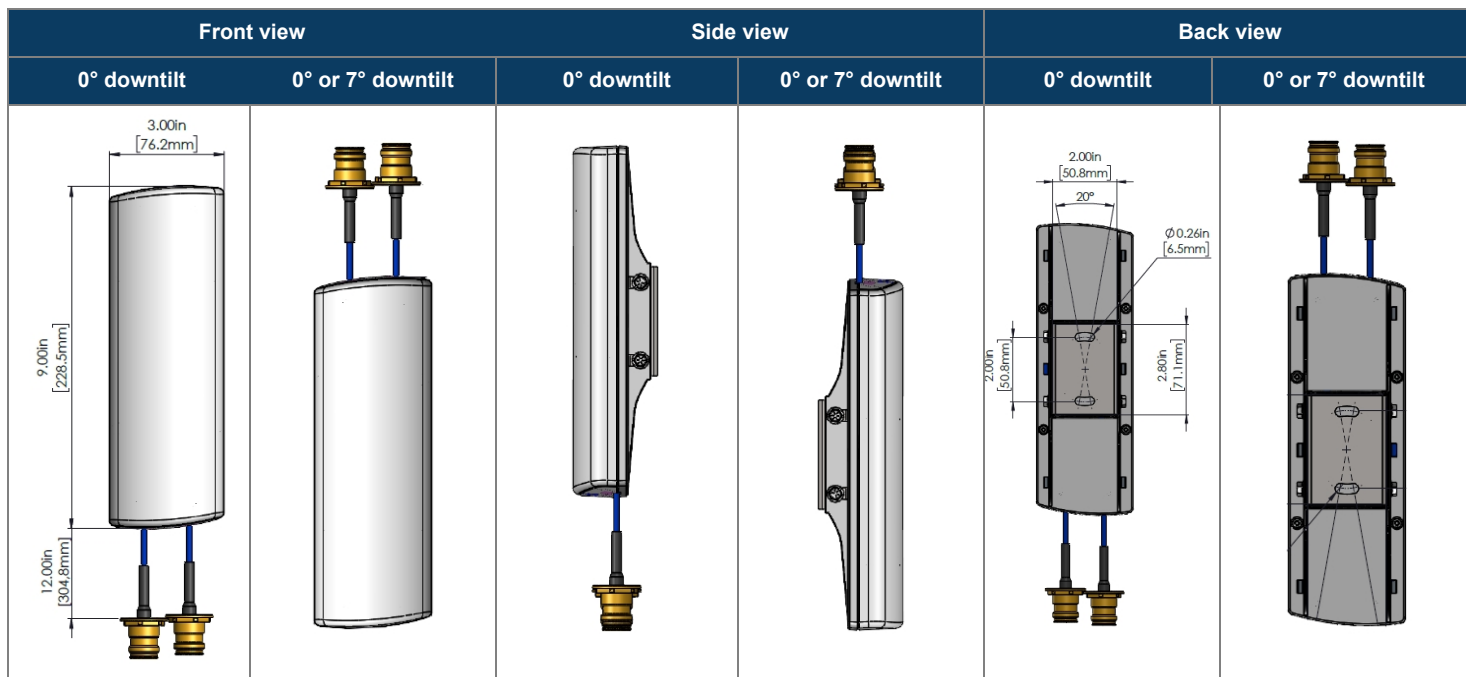


Electrical specification	Ports 1, 2
Frequency bands, MHz	3400-3980
Gain, dBi	13.3
Horizontal beamwidth (HBW), degrees ¹	70
Vertical beamwidth (VBW), degrees ¹	21.2
Fixed electrical tilt (FET), degrees	0 or 7 ²
First Upper Side lobe, dB	19
Front-to-Back Ratio at 180° ±30°, dB	24
Cross-polar isolation, port-to-port, dB ¹	22
VSWR / return loss, dB	1.5:1 / -14.0
Maximum input power per port at 50 °C, watts	75

¹ Typical value over frequency.

² Seven degrees down-tilt applied when antenna is installed with connectors facing upward

Mechanical specifications	
Dimensions height/width/depth, inches (mm)	9/ 3/ 2.17 (228.5/ 76.2/ 55.1)
Shipping dimensions length/width/height, inches (mm)	25/ 5/ 3 (635/ 127/ 76.2)
No. of RF input ports, connector type, and location	2 x 4.3-10 female with 12 in. plenum-rated pigtails (300 mm)
RF connector torque	44.25 lbf-in (5 N·m or 3.7 lbf-ft)
Net antenna weight, lb (kg)	0.75 (0.36)
Weight with supplied bracket, lb (kg)	0.903 (0.409)
Shipping weight, lb (kg)	1 (0.45)
Application	Indoor/outdoor (IP55). For outdoor use, please refer to the JMA Stadium Antenna Weep Hole Guide .



Ordering information	
Antenna model (x = 0 or 7)	Description
SX02FIT165-40	9 inch, 65 deg, 2 port, panel antenna incl mount bracket, 0 deg FET
SX02FIT165-47 ²	9 inch, 65 deg, 2 port, panel antenna incl mount bracket, 7 deg FET

² Seven degrees down-tilt applied when antenna is installed with connectors facing upward