



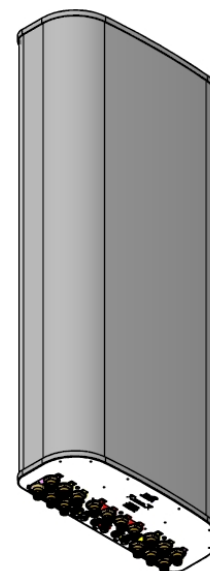
MX16FIT465-02

NWAV™ X-Pol 16-Port Antenna

X-Pol 16-Port 4 ft, 65° Form In Tighter, with Smart Bias Ts, 698-3980 MHz:

4 ports 698-894 MHz, 8 ports 1695-2690 MHz, and 4 ports 3400-3980 MHz

- 16-Port antenna offering the same functionality as 2 Hex Port antennas in a single unit
- Full mid band arrays for maximum gain
- Fully integrated (iRETs) with independent RET control for low band and mid band
- Optimized CBRS radiation patterns for improved RSRP and maximum EIRP
- FET configured with internal RET for CBRS and ease of future network optimization
- Excellent passive intermodulation (PIM) performance reduces harmful interference.
- SON-Ready array spacing supports beamforming capabilities.
- Suitable for 3G, 4G, and 5G interface technologies
- Integrated Smart Bias-Ts reduce leasing costs
- Optimized form factor for reduced wind loading



Electrical specification (minimum/maximum)	Ports 1, 2, 3, 4		Ports 5, 6, 7, 8, 9, 10, 11, 12				
Frequency bands, MHz	698-806	806-894	1695-1880	1850-1990	1920-2180	2300-2360	2496-2690
Polarization	± 45°		± 45°				
Average gain over all tilts, dBi	12.9	13.5	16.6	16.8	17.1	17.2	17.3
Horizontal beamwidth (HBW), degrees ¹	70	63	67	64	61	60	58
Front-to-back ratio, co-polar power @180°± 30°, dB	>25.0	>25.0	>25.0	>25.0	>25.0	>25.0	>25.0
X-Pol discrimination (CPR) at boresight, dB	>20.0	>18.0	>19	>18	>18	>18	>18
Vertical beamwidth (VBW), degrees ¹	17.5	16.0	7.8	7.1	6.9	6.7	6.5
Electrical downtilt (EDT) range, degrees	2-16		0-9				
First upper side lobe (USLS) suppression, dB ¹	≤-15.0	≤-15.0	≤-16.0	≤-16.0	≤-16.0	≤-16.0	≤-16.0
Cross-polar isolation, port-to-port, dB ¹	25	25	25	25	25	25	25
Max VSWR / return loss, dB	1.5:1 / -14.0		1.5:1 / -14.0				
Max passive intermodulation (PIM), 2x20W carrier, dBc	-153		-153				
Max input power per any port, watts	300		250				
Total composite power all ports, watts	1500						

¹ Typical value over frequency and tilt



MX16FIT465-02

NWAV™ X-Pol 16-Port Antenna

Electrical specification (minimum/maximum)	Ports 13, 14, 15, 16	
Frequency bands, MHz	3400-3550	3550-3980
Polarization	± 45°	
Average gain over all tilts, dBi	13.6	13.8
Horizontal beamwidth (HBW), degrees	65	62
Front-to-back ratio, co-polar power @180°± 30°, dB	>25	>25
Vertical beamwidth (VBW), degrees ¹	20.0	19.6
Electrical downtilt (EDT) range, degrees	2-12	
First upper side lobe (USLS) suppression, dB ¹	≤-15	≤-15
Cross-polar isolation, port-to-port, dB ¹	25	25
Max VSWR / return loss, dB	1.5:1 / -14.0	
Max input power per any port, watts	150	
Total composite power all ports (1-10), watts	1500	

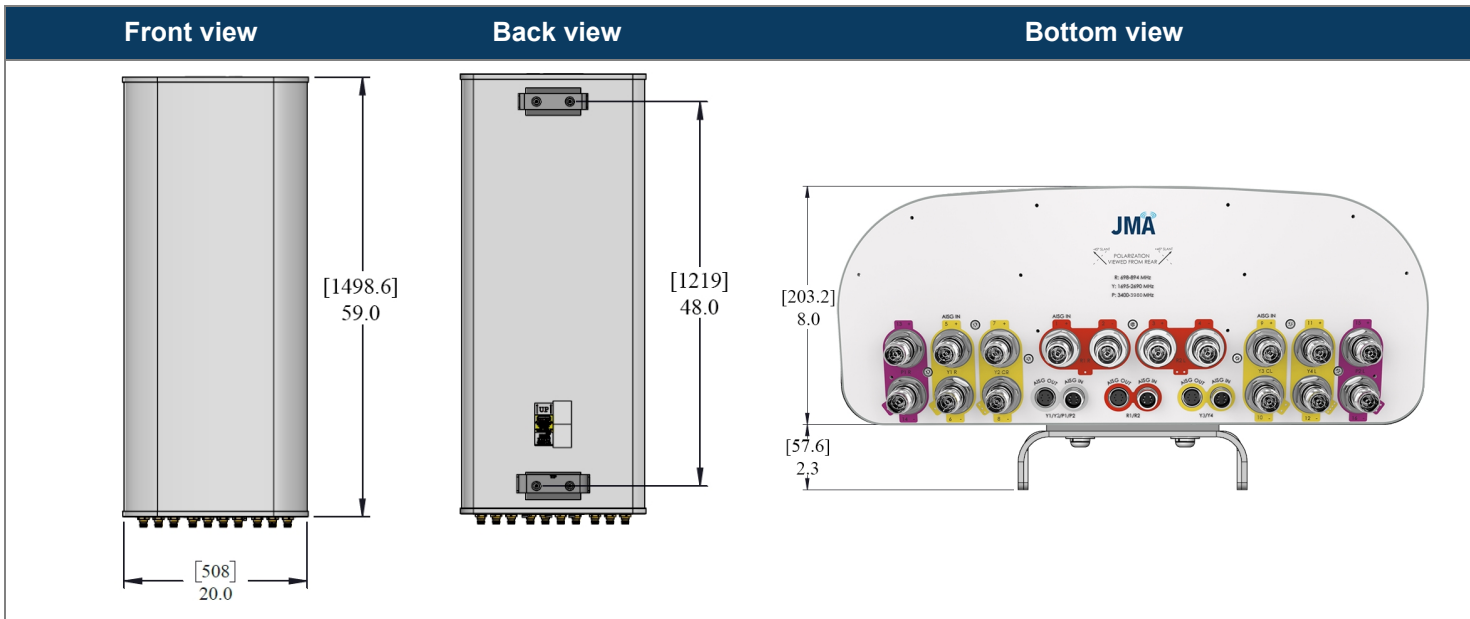
Ordering information	
Antenna model	Description
MX16FIT465-02	4F X-Pol 16 PORT FIT 65° 2-16°/ 0-9°/2-12°, 4.3-10 & SBT
Optional accessories	
AISG cables	M/F cables for AISG connections
PCU-1000 RET controller	Stand-alone controller for RET control and configurations
91900314-02	Dual Mount Bracket (see 91900314 bracket document for details)



MX16FIT465-02

NWAV™ X-Pol 16-Port Antenna

Mechanical specifications	
Dimensions height/width/depth, inches (mm)	59/ 20.0/ 8.0 (1498.6/ 508.0/ 203.2)
Shipping dimensions length/width/height, inches (mm)	60/ 26/ 15 (1524/ 600/ 381)
No. of RF input ports, connector type, and location	16 x 4.3-10 female, bottom
RF connector torque	96 lbf-in (10.85 N·m or 8 lbf-ft)
Net antenna weight, lb (kg)	53.9 (24.4)
Shipping weight, lb (kg)	94.6 (42.9)
Antenna mounting and downtilt kit included with antenna	91900318
Net weight of the mounting and downtilt kit, lb (kg)	18 (8.2)
Range of mechanical up/down tilt	-2° to 12°
Rated wind survival speed, mph (km/h)	150 (241)
Frontal and lateral wind loading @ 150 km/h, lbf (N)	105.9 (471.1), 49.0 (218.0)
EPA frontal and lateral, ft ² , (m ²)	4.8 (0.45), 2.2 (0.20)





MX16FIT465-02

NWAV™ X-Pol 16-Port Antenna

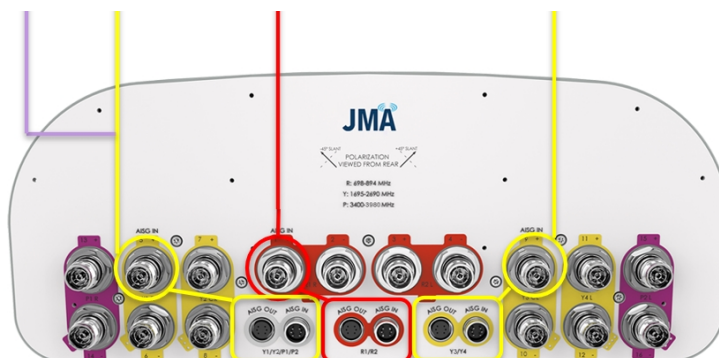
Remote electrical tilt (RET 1000) information

RET location	Integrated into antenna
RET interface connector type	8-pin AISG connector per IEC 60130-9 or RF port bias-t
RET connector torque	Min 0.5 N·m to max 1.0 N·m (hand pressure & finger tight)
RET interface connector quantity	3 pairs of AISG male/female connectors and 3 RF port Bias Ts
RET interface connector location	Bottom of the antenna
Total no. of internal RETs 698-894 MHz	1
Total no. of internal RETs 1695-2690 MHz	2
Total no. of internal RETs 3400-3980 MHz	1
RET input operating voltage, vdc	10-30
RET max power consumption, idle state, W	≤ 2.0
RET max power consumption, normal operating conditions, W	≤ 13.0
RET communication protocol	AISG 2.0 / 3GPP

RET and RF connector topology

Each RET device can be controlled either via the designated external AISG connector or RF smart bias-t port as shown below:

Band	RF port	Band	RF port	Band	RF port
1695-2690	5-8	698-894	1-4	1695-2690	9-12
3400-3980	13-16				



Note: The RET Device for 3400-3980 MHz is connected via the 1695-2690 Port 5 Bias T port or 1695-2690/3400-3980 MHz AISG ports.

Array topology

6 sets of radiating arrays

- R1: 698-894 MHz
- R2: 698-894 MHz
- Y1: 1695-2690 MHz
- Y2: 1695-2690 MHz
- Y3: 1695-2690 MHz
- Y4: 1695-2690 MHz
- P1: 3400-3980 MHz
- P2: 3400-3980 MHz

Band	RF port
698-894	1-4
1695-2690	5-12
3400-3980	13-16

