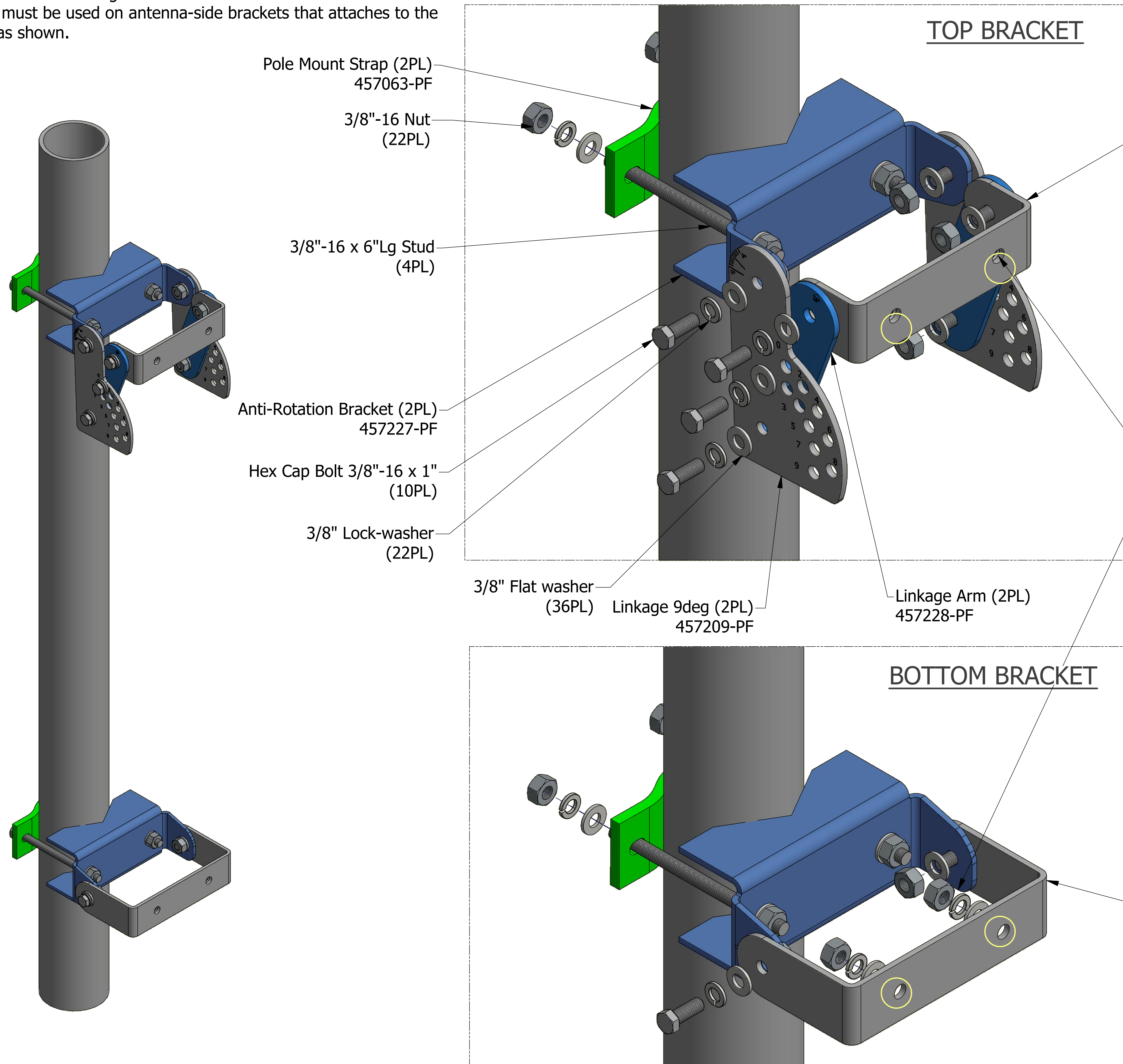
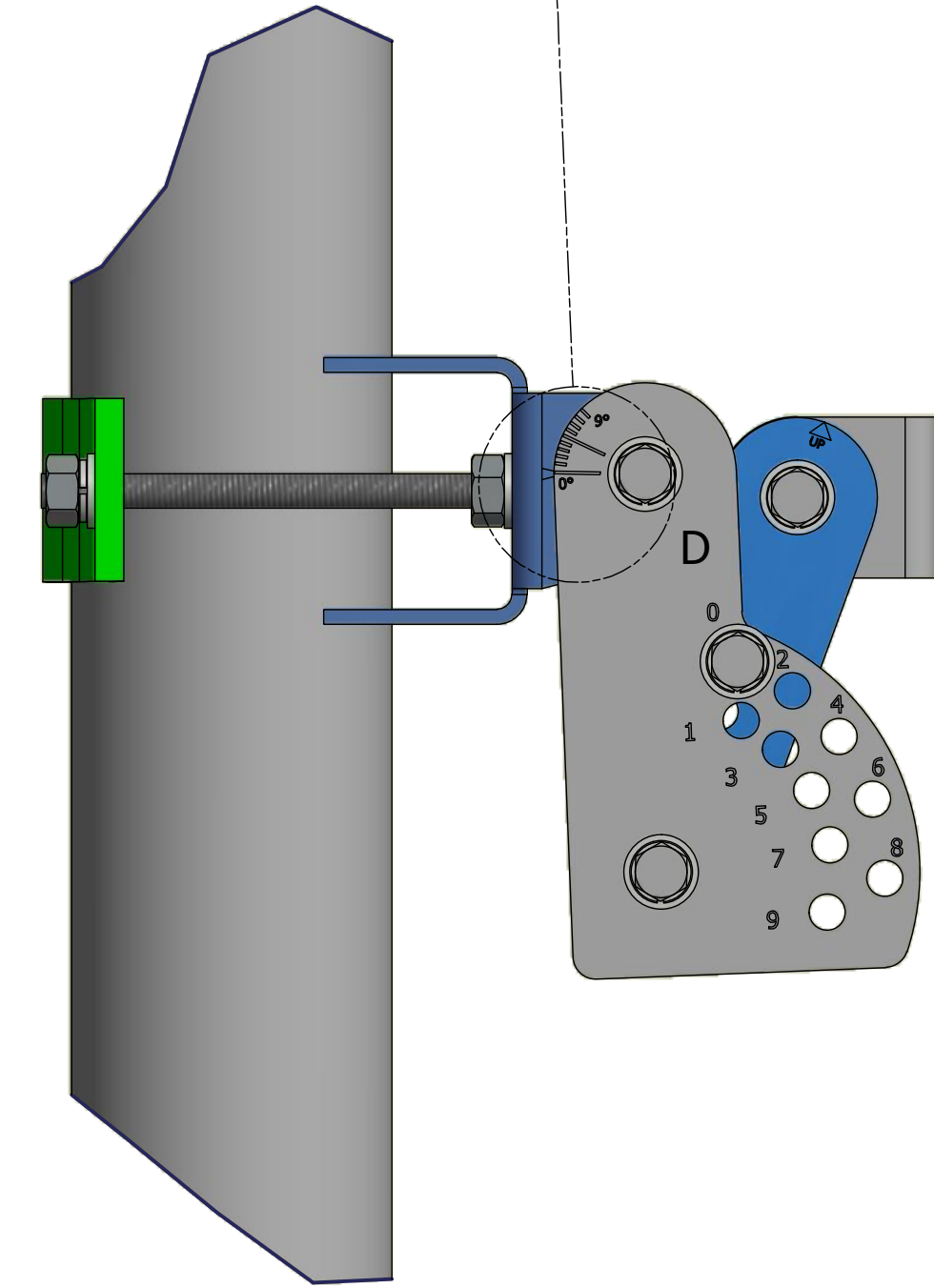
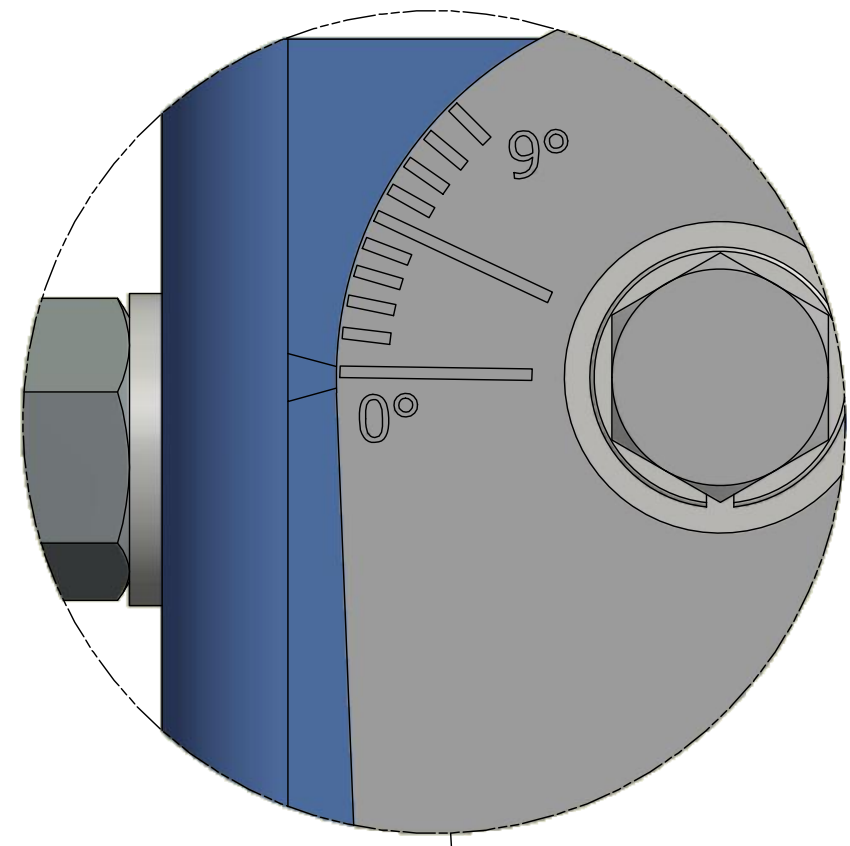


919046 BRACKET KIT, INSTALLATION, 2-POINT, 9DEG D-TILT

- NOTES:**
1. All hardware to be torqued to 15 ft-lbs after mechanical downtilt is set.
 2. See Detail "C" for pole alignment instruction.
 3. The bracket kit includes galvanized hardware and a set of SST nuts. SST nuts must be used on antenna-side brackets that attaches to the antenna as shown.



Must USE SST Nuts to attach Antenna-side brackets to the Housing. (4 PL)



DETAIL C

PRIOR TO MOUNTING THE ANTENNA TO THE POLE:
- ALIGN TICK MARK ON BRACKET TO 0° LINE OF LINKAGE ARM AND TIGHTEN HARDWARE. THIS WILL ASSURE PROPER ALIGNMENT OF BRACKET TO POLE.

UNLESS OTHERWISE SPECIFIED DIMENSIONS ARE IN INCHES TOLERANCES ON .XXXX ±.005 .XX ±.02 .XXX ±.010 .X ±.1 ANGLES ±.5°	NAME	DATE	
	DRAWN K.MILLER	9/19/2012	
	CHECKED		TITLE
	APPROVED		INSTALLATION INSTRUCTIONS
 THIRD ANGLE PROJECTION	THIS DRAWING AND THE INFORMATION CONTAINED HEREIN ARE THE PROPERTY OF CSS ANTENNA, INC. AND SHALL NOT BE REPRODUCED OR USED IN ANY WAY WITHOUT WRITTEN PERMISSION		SIZE
	D	DWG NO.	REV
SCALE	FILE	1	1