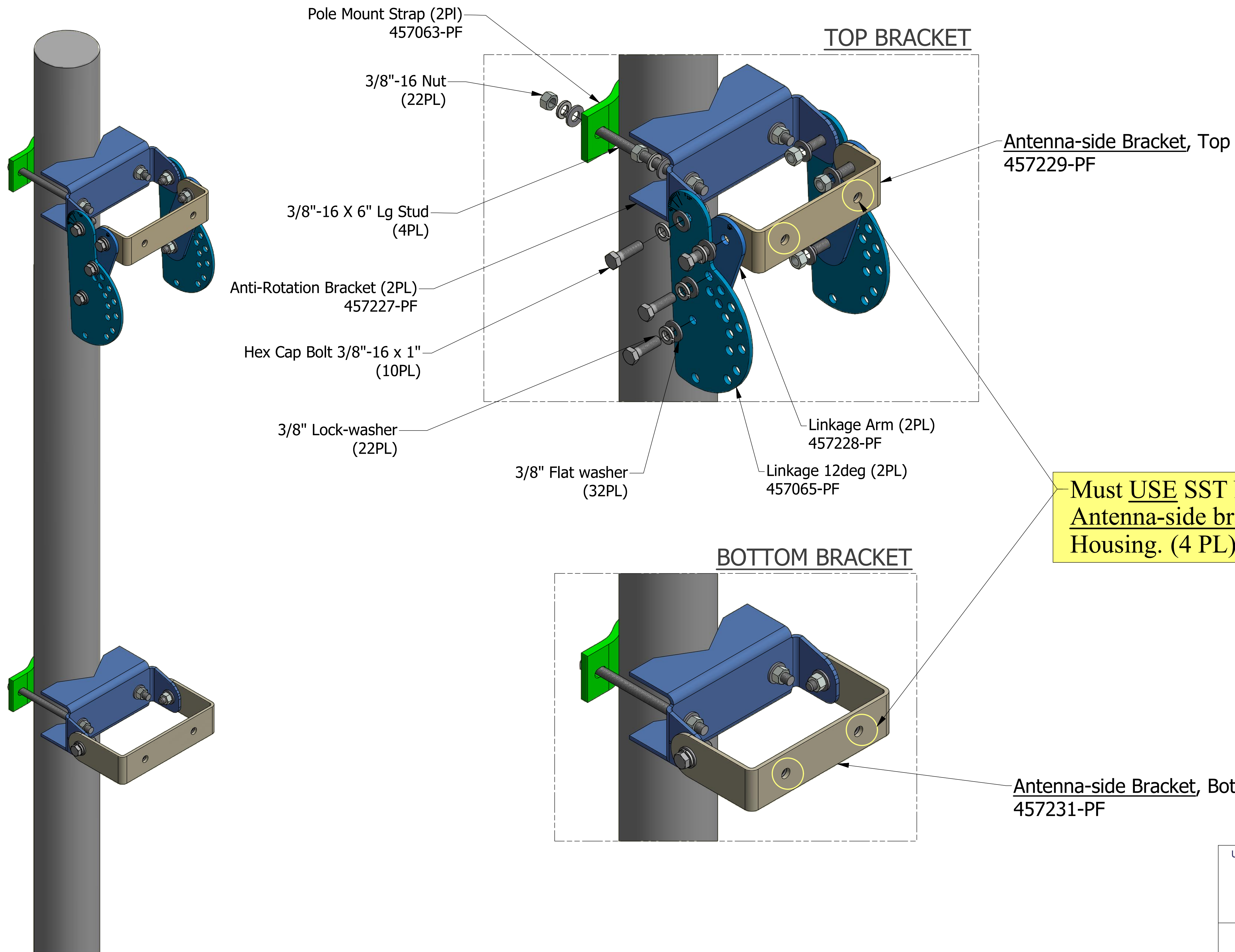


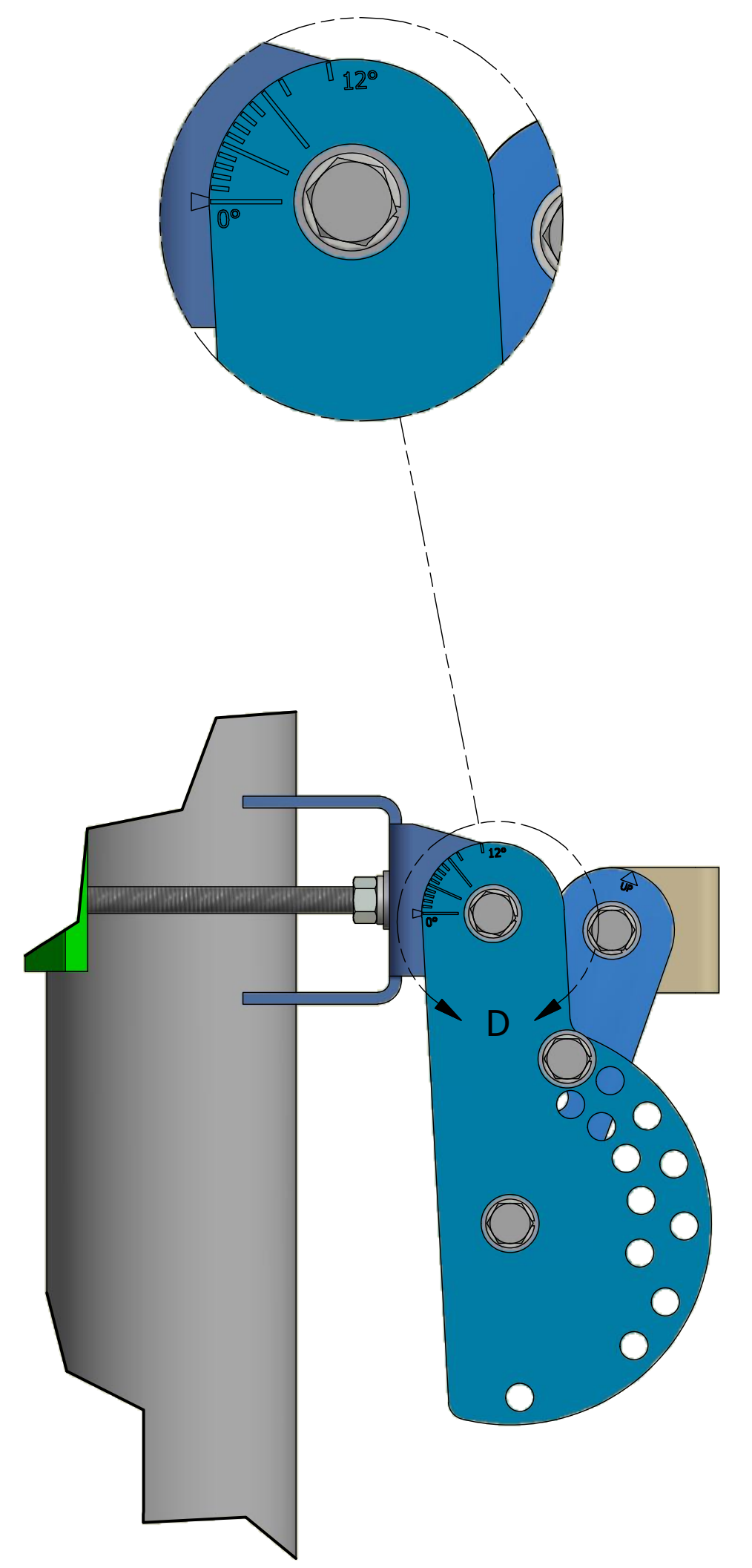
# 919011 BRACKET KIT, INSTALLATION, 2-POINT, 12DEG D-TILT

**NOTES:**

1. All hardware to be torqued to 20 ft-lbs after mechanical downtilt is set.
2. See Detail "C" for pole alignment instruction.
3. The bracket kit includes galvanized hardware and a set of SST nuts. SST nuts must be used on antenna-side brackets that attaches to the antenna as shown.



**Must USE SST Nuts to attach Antenna-side brackets to the Housing. (4 PL)**



**PRIOR TO MOUNTING THE ANTENNA TO THE POLE:**  
 - ALIGN TICK MARK ON BRACKET TO 0° LINE OF LINKAGE ARM AND TIGHTEN HARDWARE. THIS WILL ASSURE PROPER ALIGNMENT OF BRACKET TO POLE.

UNLESS OTHERWISE SPECIFIED DIMENSIONS ARE IN INCHES TOLERANCES ON .XXXX ±.005 .XX ±.02 .XXX ±.010 .X ±.1 ANGLES ±.5°	NAME	DATE	 JMA WIRELESS 2236-D LAKESIDE BLVD EDGEWOOD, MARYLAND 21040 410-612-0080 FAX: 410-612-0336
	DRAWN T KIRBY	3/18/2015	
	CHECKED		
	APPROVED		TITLE <b>INSTALLATION INSTRUCTIONS</b>
 THIRD ANGLE PROJECTION	THIS DRAWING AND THE INFORMATION CONTAINED HEREIN ARE THE PROPERTY OF CSS ANTENNA, INC. AND SHALL NOT BE REPRODUCED OR USED IN ANY WAY WITHOUT WRITTEN PERMISSION		SIZE DWG NO. <b>D 919011-AD</b>
	SCALE	FILE	REV <b>G.1</b>
			SH OF 1 1