

91900314

Dual-mount antenna bracket

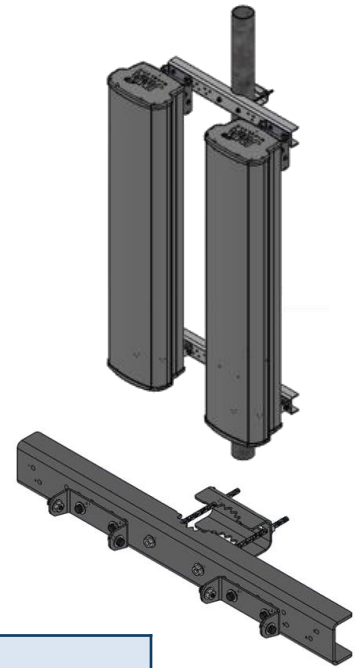


Dual-mount antenna bracket

- Enables optimal spacing for low-band 4T4R beamforming by allowing for two of the same antenna on one bracket
- Mechanical tilt in line with specified antenna
- Spacing achieved can be 3/4", 2", or 12" (edge-to-edge) dependent on antenna model
- Compatible with MX*, MC*, X7C*, C7C* antenna ranges

Spacing options between dual antennas

X7C* and C7C* models	2 of same antennas locked at 2" spacing
	Example: (2) X7CQAP-FRO-645-V can be locked at 2" of spacing
MX*, MC* models	2 of same antennas locked at 3/4", 2", or 12" spacing
	Example: (2) MX08FRO660-02 can be locked at 2" or 12" spacing (see above image)



Brackets needed per antenna type

X7C* and C7C* models	All 4' and these 6' antennas:				91900314-02 (2 brackets needed)
	X7CQAP-FRO-645-V	X7CAP-665-V	X7C-665-V		
	X7CQAP-FRO-660-V	X7C-FRO-640-V	X7C-680-V		
	X7CQAP-665-V	X7C-FRO-660-V	C7C-FRO-656-V		
MX*, MC* models	All 8' and this 6' antenna:				91900314-03 (3 brackets needed)
	X7CAP-FRO-640-V				
MX*, MC* models	4', 6' antennas				91900314-02
	8' antennas				91900314-03

Dual-mount bracket assembled

Mechanical specifications

Weight per bracket, lb (kg)	28 lb (12.7 kg) – dual mount bracket parts only
Range of allowable mechanical up/down tilt	Tilt range is not affected by dual mount bracket (see antenna datasheet)
Rated wind survival speed, mph (km/h)	150 mph (241 km/h)
Material specification	0.16" to 0.25" thick hot-dipped, galvanized steel

Ordering information

Mounting bracket model	Description
91900314-01	Single dual-mount antenna bracket assembly (see table above, "Brackets per antenna type")
91900314-02	Two dual-mount antenna bracket assemblies
91900314-03	Three dual-mount antenna bracket assemblies

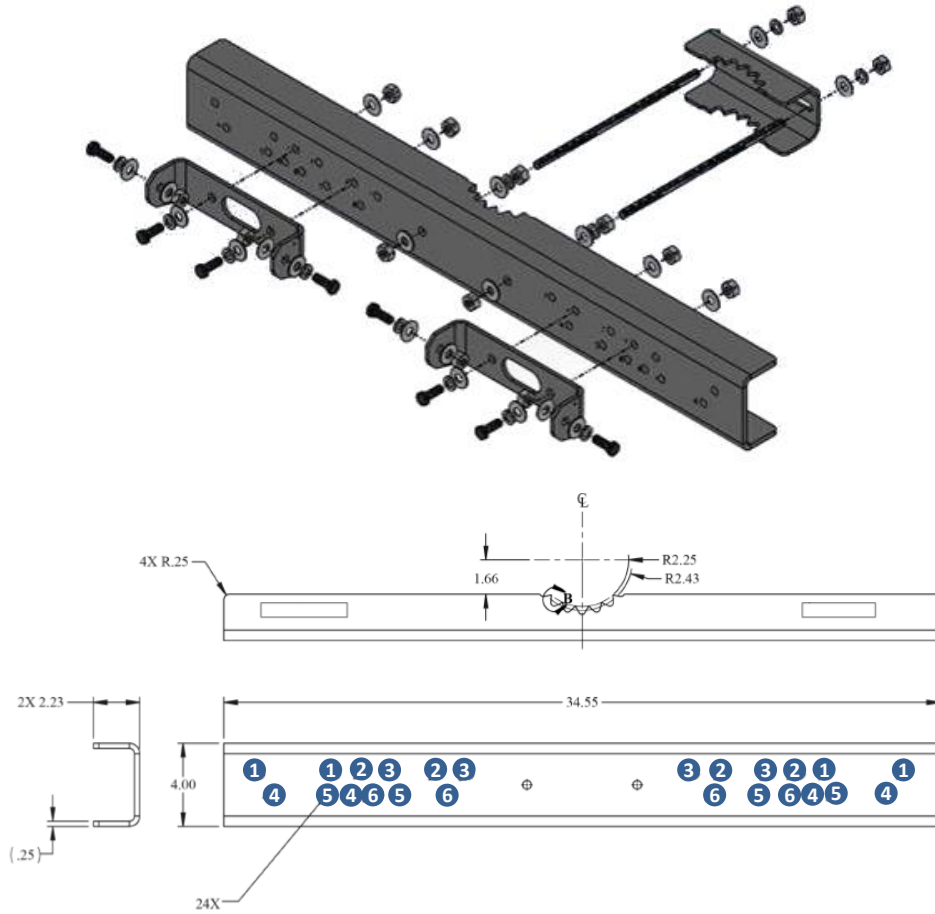
*Compatible antennas

4'–8' Quad-, Hex-, and Octo-Port macro antennas in the X7C; C7C; X7CAP; C7CAP; X7CQAP; MX, MC models

Installation instructions

81900506	Installation instructions for dual-mount bracket assembly (comes with kit)
----------	--

Dual-mount bracket assembly guide overview



Model types beginning with:	Antenna width	Corresponding hole position	Resulting spacing between antennas
MX*, MC*	15.4" (wide spacing)	1	12"
	15.4" (narrow spacing)	2	2"
	12"	3	2"
	20"	5	3/4"
X7C*, C7C*	12.5"	3	2"
	24.0"	4	2"
	18.8"	5	2"
	14.6"	6	2"