

Rev.	Description	EC number
A	Release	77706
B	Added instructions for IV0XOMI136-U4	77748
C	Added instructions for using adhesives tabs to mount	77985
D	Update logos and HQ address	ACO-00090
E	Remove adhesive pads and update graphics	ECO-00778

IV0XOMI136 Antenna

Instructions for ceiling-mount antenna



JMA Wireless World
Headquarters

140 Cortland Avenue
Syracuse, NY 13202
USA

www.jmawireless.com
+1 888-201-6073



IVOXOMI136

Instructions for ceiling-mount antenna



This is the installation guide for the IVOXOMI136 ceiling-mount antenna.

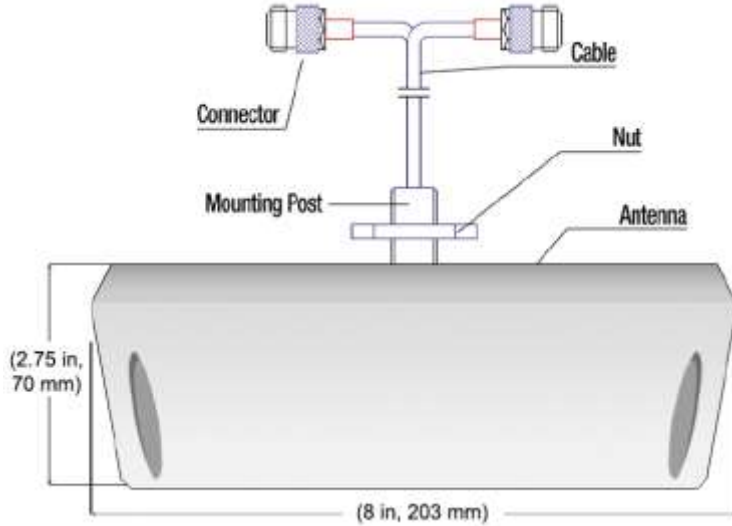


Figure 1: IVOXOMI136-M4 and IVOXOMI136-S4 antenna

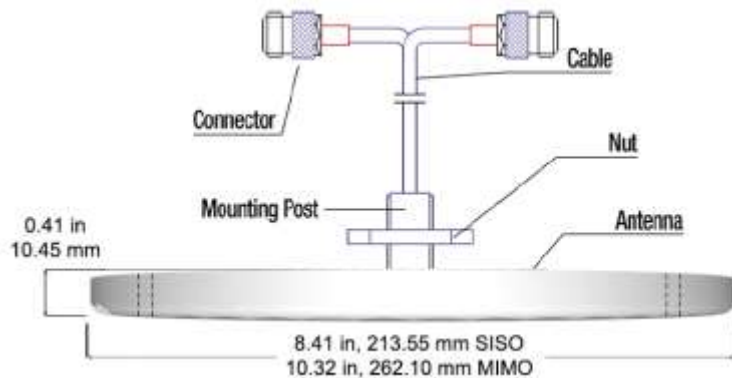


Figure 2: IVOXOMI136-U4 antenna

Description	Qty.
IVOXOMI136 ceiling-mount antenna	1
Hardware for ceiling greater than 1-5/8" thick (IVOXOMI136-S4 and IVOXOMI136-M4)	
M4 x 50 mm self-tapping screws	3
Toggle anchors	3
Screw caps	3
Hardware for ceiling greater than 1-5/8" thick (IVOXOMI136-U4)	
M4 x 50 mm self-tapping screws	2
Toggle anchors	2
Screw caps	2

Safety
The antenna and all associated equipment should be installed with all applicable local and national electrical code guidelines to ensure safe operation.
Precaution
For best PIM results: <ul style="list-style-type: none"> • Make sure the connectors are clean and free from any metal flakes/dirt and tighten the connectors using torque wrench. • Avoid extreme bending to the cable. • During installation of the antenna, both cables should not be crossing one another. • Do not remove the dust cap from connectors when not in use. • Avoid mounting on metal surfaces.

The assembly instructions for a ceiling up to 1-5/8" thick.

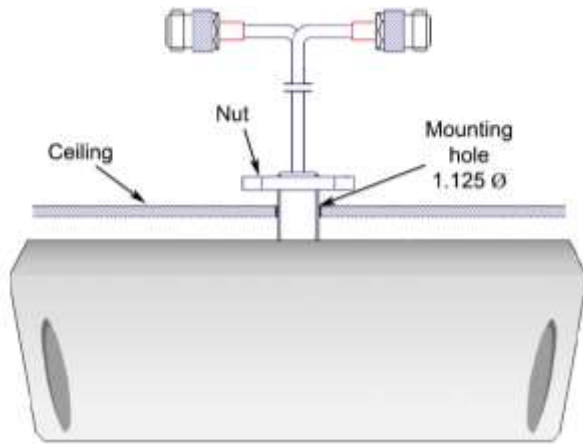


Figure 3: IV0XOMI136-M4 and IV0XOMI136-S4 antenna assembly in ceiling up to 1-5/8" thickness

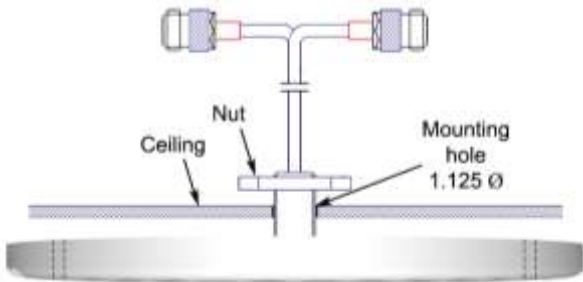


Figure 4: IV0XOMI136-U4 antenna assembly in ceiling up to 1-5/8" thickness

Instructions:

Make 1 1/4" hole in the ceiling. Insert antenna mounting post, cable, and connectors through the hole and secure with nut. Tighten the nut so that the antenna sits flush with the bottom of the ceiling.

4

The assembly instructions for a ceiling greater than 1-5/8" thick.

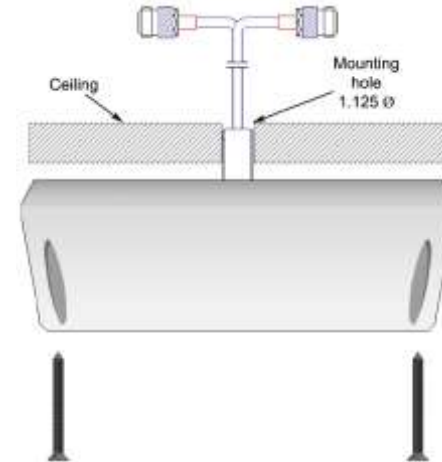


Figure 5: IV0XOMI136-M4 and IV0XOMI136-S4 antenna assembly in ceiling greater than 1-5/8" thick.

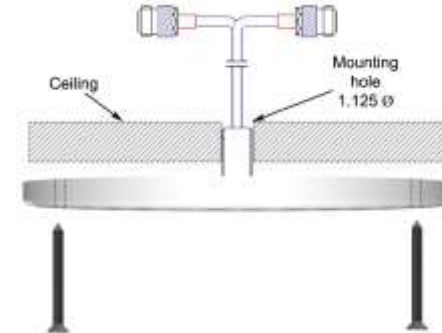


Figure 6: IV0XOMI136-U4 antenna assembly in ceiling greater than 1-5/8" thick.

Instructions:

Make 1 1/4" hole in the ceiling. Insert antenna mounting post, cable, and connectors through the hole. If the ceiling is thicker than 1-5/8", use optional hardware to mount. Secure screws into ceiling so that antenna sits flush, and install screw caps.

5